

**Lancet Series
LCS213/218**

Project _____		Fixture Type _____
Location _____		Quantity _____
Approved By _____	Date _____	Catalog Number _____

Features

Tall and tapered contemporary wall mount sconce is ADA compliant and offers a simple yet dramatic effect. Open top and enclosed bottom for wall wash effect. Glass easily lifts and shifts for maintenance. Fixture mounts to standard junction box. (not included).

Construction

Back plate is die-formed of 22-gauge steel. Standard mounting holes and hardware are included. Power supply connections must be made inside a junction box (not included).

Finish

Back plate is finished in lighting grade white baked gloss enamel paint. Decorative ball finials in polished nickel and brass are provided for the white case glass; oil-rubbed bronze finials are included for the tea-stained glass.

Diffuser

Diffuser is .125" thick white matte case glass or linen patterned tea-stained matte case glass. Metal rods support the glass to the housing.

Electrical

This unit can be ordered in the following options: with UL listed instant-start, electronic normal power factor ballast; 120V 60Hz AC (EC suffix).

Lamping

For use with 2/13 or 2/18 watt compact fluorescent 4 pin quad lamps; supplied by others.

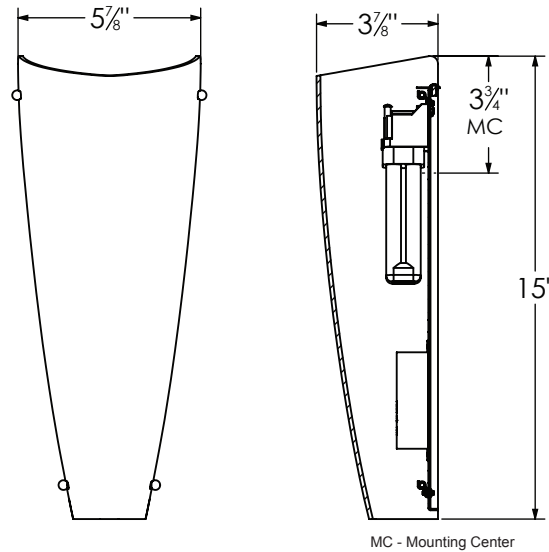
Certification

All fixtures are cULus listed for damp locations.

Options

- 1/18, 1/26 120-277V HPF
- Linen patterned matte white case glass
- Matte white acrylic diffuser
- ENERGY STAR qualified when ordered with 120V ballast and lamp

Specifications and dimensions
subject to change without notice.



Ordering Information:

Model No.	Finish	120V	Lamps		Dimensions		
			Qty	Lamp	H	W	D
	White	LCS213WEC	2	13W CFQ 4 PIN	15"	5-7/8"	3-7/8"
	White	LCS218WEC	2	18W CFQ 4 PIN	15"	5-7/8"	3-7/8"
	Oil-Rubbed Bronze	LCS213RBEC	2	13W CFQ 4 PIN	15"	5-7/8"	3-7/8"
	Oil-Rubbed Bronze	LCS218RBEC	2	18W CFQ 4 PIN	15"	5-7/8"	3-7/8"

Photometric Information:

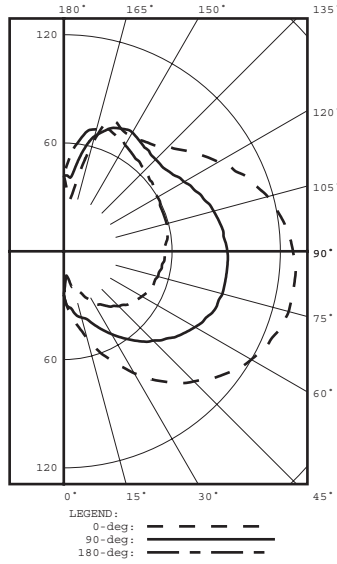
LCS213RBEC LCS213WEC

CANDELA DISTRIBUTION					FLUX				
	0.0	45.0	90.0	135.0	180.0				
0	24	24	24	24	24				
5	33	36	31	15	14		3		
15	50	44	38	28	20		10		
25	69	61	47	32	28		22		
35	87	78	59	40	36		37		
45	102	94	70	45	43		54		
55	115	107	80	50	48		70		
65	124	117	87	53	52		83		
75	129	122	91	57	54		92		
85	129	124	91	59	56		96		
90	127	123	90	59	56			95	
95	124	120	89	59	57			89	
105	117	114	86	60	59			78	
115	105	104	80	60	59			66	
125	93	93	74	60	61			55	
135	82	83	72	61	64			47	
145	75	92	74	64	66			37	
155	75	109	75	66	70			19	
165	62	75	66	62	70			4	
175	29	34	41	51	56				
180	42	42	42	42	42				

ZONAL LUMEN SUMMARY			
ZONE	LUMENS	%LAMP	%FIXT
0-30	35	1.9	3.6
0-40	72	4.0	7.5
0-60	195	10.8	20.4
0-90	467	25.9	48.8
90-120	262	14.6	27.4
90-130	329	18.3	34.3
90-150	430	23.9	44.9
90-180	491	27.3	51.2
0-180	958	53.2	100.0

TOTAL LUMINAIRE EFFICIENCY = 53.2 %

CIE TYPE - DIRECT-INDIRECT
 PLANE : 0-DEG 90-DEG 180-DEG
 SPACING CRITERIA : 3.8 3.2 2.4



COEFFICIENTS OF UTILIZATION - ZONAL CAVITY METHOD

EFFECTIVE FLOOR CAVITY REFLECTANCE 0.20

RC	80				70				50			
	RW	70	50	30	10	70	50	30	10	50	30	10
0	57	57	57	57	52	52	52	52	44	44	44	
1	49	46	43	40	45	42	39	37	34	32	30	
2	44	38	34	30	40	35	31	28	29	26	23	
3	39	33	28	24	35	30	26	22	24	21	18	
4	35	29	23	20	32	26	21	18	21	18	15	
5	32	25	20	16	29	23	18	15	19	15	12	
6	30	22	17	14	27	20	16	13	17	13	10	
7	27	20	15	12	25	18	14	11	15	11	9	
8	25	18	13	10	23	16	12	9	13	10	8	
9	23	16	12	9	21	15	11	8	12	9	7	
10	22	15	11	8	20	13	10	7	11	8	6	



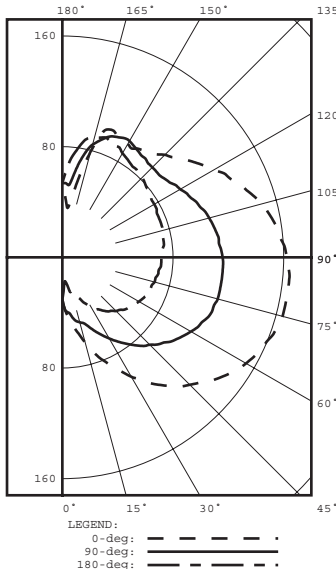
LCS218RBEC LCS218WEC

CANDELA DISTRIBUTION					FLUX				
	0.0	45.0	90.0	135.0	180.0				
0	31	31	31	31	31				
5	42	46	40	19	18		3		
15	64	56	49	36	26		13		
25	88	78	60	41	36		28		
35	111	100	75	51	46		47		
45	130	120	89	58	55		68		
55	147	137	102	64	61		89		
65	158	150	111	68	66		106		
75	165	156	116	73	69		118		
85	165	158	116	75	72		123		
90	162	157	115	75	72			122	
95	158	153	114	75	73			114	
105	150	146	110	77	75			100	
115	134	133	102	77	75			84	
125	119	119	95	77	78			70	
135	105	106	92	78	82			60	
145	96	118	95	82	84			48	
155	96	139	96	84	89			24	
165	79	96	84	79	89			5	
175	37	43	52	65	72				
180	54	54	54	54	54				

ZONAL LUMEN SUMMARY			
ZONE	LUMENS	%LAMP	%FIXT
0-30	45	1.9	3.6
0-40	92	4.0	7.5
0-60	249	10.8	20.4
0-90	597	25.9	48.8
90-120	335	14.6	27.4
90-130	420	18.3	34.3
90-150	549	23.9	44.9
90-180	627	27.3	51.2
0-180	1224	53.2	100.0

TOTAL LUMINAIRE EFFICIENCY = 53.2 %

CIE TYPE - DIRECT-INDIRECT
 PLANE : 0-DEG 90-DEG 180-DEG
 SPACING CRITERIA : 3.8 3.2 2.4



COEFFICIENTS OF UTILIZATION - ZONAL CAVITY METHOD

EFFECTIVE FLOOR CAVITY REFLECTANCE 0.20

RC	80				70				50			
	RW	70	50	30	10	70	50	30	10	50	30	10
0	57	57	57	57	52	52	52	52	44	44	44	
1	49	46	42	40	45	42	39	36	34	32	30	
2	44	38	34	30	40	35	31	28	29	26	23	
3	39	33	28	24	35	30	26	22	24	21	18	
4	35	28	23	19	32	26	21	18	21	18	15	
5	32	25	20	16	29	23	18	15	19	15	12	
6	29	22	17	14	27	20	16	12	16	13	10	
7	27	20	15	12	25	18	14	11	15	11	9	
8	25	18	13	10	23	16	12	9	13	10	8	
9	23	16	12	9	21	15	11	8	12	9	7	
10	22	15	10	8	20	13	10	7	11	8	6	

