

**Huron Series
HUS118**

Features

Contemporary shaded wall mount sconce is accented with a tapered polished chrome decorative arm and features a durable white linen acrylic shade for ease of maintenance. Sconce is ADA compliant with a closed top and open bottom. Fixture mounts to standard junction box (not included).

Construction

Canopy and socket cup are die-formed of 22-gauge steel. The tapered arm is die-cast 22-gauge steel and affixed to a decorative canopy. Canopy is fastened to gem bar with two hidden screws on either side of canopy. Standard mounting holes and hardware are included. Power supply connections must be made inside a junction box (not included).

Finish

All metal parts are polished chrome with a clear lacquer topcoat.

Diffuser

Diffuser is .100" white linen acrylic with seamed top and bottom affixed to fixture with 2 thumb screws to harp.

Electrical

This unit is wired with UL listed electronic normal power factor socket ballast for 120V/60 Hz AC operation.

Lamping

For use with 1/18 watt compact fluorescent 4 pin quad lamps; supplied by others.

Certification

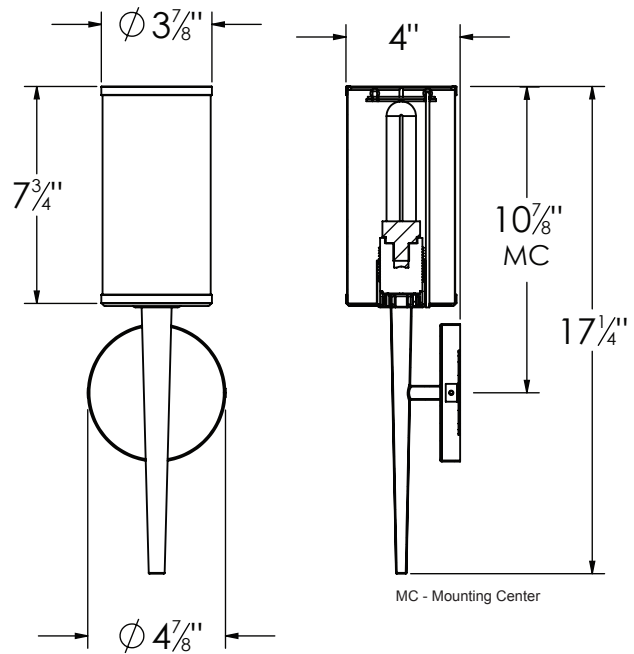
All fixtures are cULus listed for damp locations.

Options

1/13 NPF
ENERGY STAR qualified when ordered with 120V ballast and lamp
Custom finishes and shade options

Specifications and dimensions
subject to change without notice.

Project		Fixture Type
Location		Quantity
Approved By	Date	Catalog Number



Ordering Information:

Model No.	Lamps		Dimensions			
	120V	Qty	Lamp	H	W	D
Polished Chrome	HUS118PCEC-LA	1	18W CFQ 4 PIN	17-1/4"	4-7/8"	4"