

**Courtland Linear  
CLL232/432**

Project _____		Fixture Type _____
Location _____		Quantity _____
Approved By _____	Date _____	Catalog Number _____

**Features**

The Courtland linear is designed with a shallow and narrow profile for a soft contemporary appearance. The diffuser is vacuum formed white acrylic plastic with smooth contour at its corners. Fixture is available as a (2) lamp 32-watt T8 or a (4) lamp 28-watt T5 for different light levels and applications. Chassis contains Speedplate™ mounting for easy installation.



**Construction**

Fixture chassis and ends are die formed of 22-gauge cold rolled steel. Standard mounting holes and wiring knockouts are included, a 2" diameter center knockout is provided for junction box mounting. Fixture can be hardwired into the wire way or mounted to a standard junction box (not included).

**Finish**

Back plate is finished in a lighting grade white baked gloss enamel paint.

**Diffuser**

Diffuser is formed from a sheet of cast white acrylic plastic. Four clips on the two edges of the diffuser allow it to lift and shift for easy removal.

**Electrical**

This unit can be ordered in the following options:

With UL listed instant-start, electronic normal power factor ballast; 120V 60Hz AC (R8 suffix);

With UL listed instant-start, electronic high power factor ballast; 120V 60Hz AC (E5 suffix)

**Lamping**

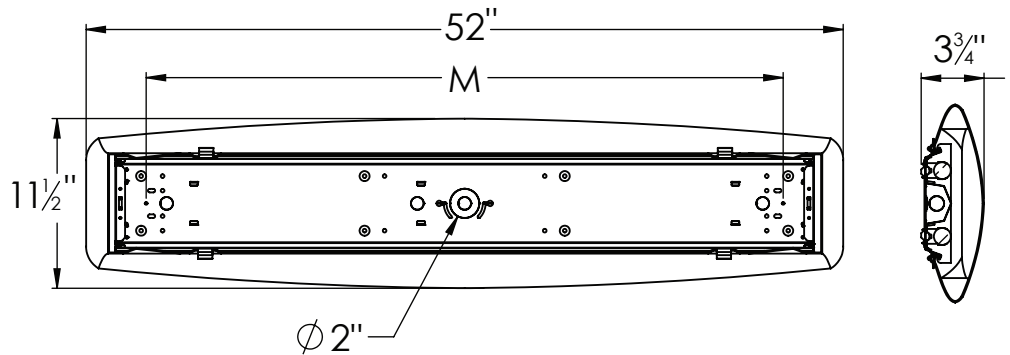
For use with 2-32 T8 or 4-28 watt T5 linear fluorescent lamps; not included.

**Certification**

All fixtures are cULus listed for damp locations.

For photometric information, consult factory.

Specifications and dimensions subject to change without notice.



**Ordering Information:**

Model No.	Finish	Lamps		Dimensions			Mounting
		Qty	Type	H	W	L	M
120V							
CLL232R8	White	2	F32T8	3-3/4"	11-1/2"	52"	43-3/4"
CLL428E5	White	4	F28T5	3-3/4"	11-1/2"	52"	43-3/4"