

## Century Series CEW113

### Features

Clean and classic lines with painted nickel accents define this outdoor wet location wall sconce. UL listed for wet location. Include die-cast aluminum polished chrome accents that are corrosion resistant. A uniquely designed rain shield protects the electrical components from moisture. Fixture mounts to standard junction box (not included).

### Construction

Back plate is die-formed of 18-gauge aluminum. Accent details are die-cast aluminum with a painted nickel finish. Standard mounting holes and hardware are included. Power supply connections must be made inside a junction box (not included).

### Finish

Back plate is finished in lighting grade white baked gloss enamel paint. Accent details are painted nickel with clear lacquer topcoat.

### Diffuser

Diffuser is an extruded matte white acrylic .100" thick.

### Electrical

This unit is wired with UL listed electronic normal power factor ballast for 120V/60 Hz AC operation. Minimum starting temperature is 0 degree F.

### Lamping

For use with 1/13 watt compact fluorescent 4 pin quad lamps; supplied by others.

### Certification

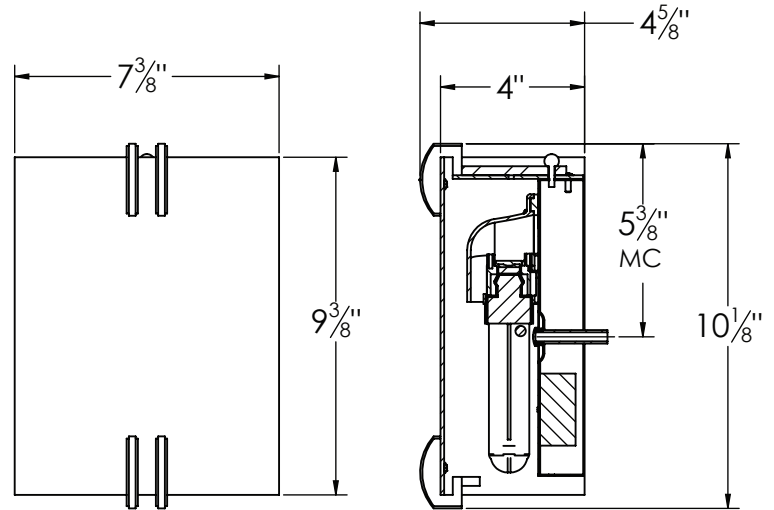
All fixtures are cULus listed for wet locations.

### Options

120-277V HPF  
Photosensor (PC)

Specifications and dimensions  
subject to change without notice.

LOCATION		DATE
PREPARED BY		QUANTITY
COMMENTS		FIXTURE TYPE
CATALOG NUMBER		



## Ordering Information:

Model No.	Finish	Lamps		Dimensions		
		Qty	Type	H	W	D
CEW113PNEC	Painted Nickel	1	13W CFQ 4-PIN	10-1/8"	7-3/8"	4-5/8"
CEW113PNEC-PC	Painted Nickel	1	13W CFQ 4-PIN	10-1/8"	7-3/8"	4-5/8"