

**Bilbao Series  
BBW113**

**Features**

Contemporary styling mixed with a high quality die-cast aluminum banded frame in this one light wet location wall mount sconce. Frame has a brushed anodized satin aluminum finish and is ADA compliant. A matte white acrylic diffuser fully encloses the sconce. A uniquely designed rain shield protects the electrical components from moisture. Fixture mounts to standard junction box (not included).

**Construction**

Back plate is die-formed of 18-gauge aluminum. Frame is die-cast aluminum .100" thick. Standard mounting holes and hardware are included. Power supply connections must be made inside a junction box (not included).

**Finish**

Back plate is finished in lighting grade white baked gloss enamel paint. Banded frame is brushed anodized satin aluminum.

**Diffuser**

Diffuser is .100" thick matte white acrylic with integrated top and bottom diffuser. Diffuser and frame mount with 2 screws on the top and bottom.

**Electrical**

This unit is wired with UL listed electronic normal power factor ballast for 120V/60 Hz AC operation.

**Lamping**

For use with 1/13 watt compact fluorescent 4 pin quad lamps; supplied by others.

**Certification**

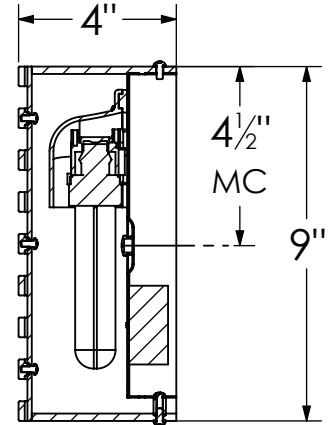
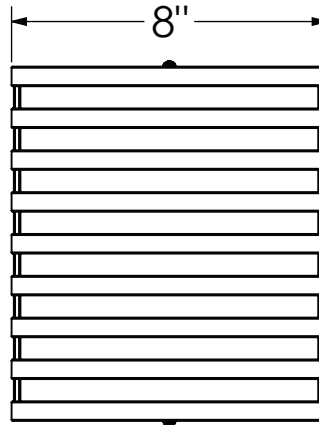
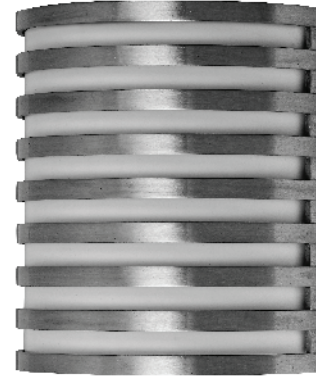
All fixtures are cULus listed for wet locations.

**Options**

Photosensor (PC)  
ENERGY STAR qualified with photosensor (PC)

**Specifications and dimensions**  
subject to change without notice.

Project		Fixture Type
Location		Quantity
Approved By	Date	Catalog Number



MC - Mounting Center

**Ordering Information:**

Model No.	Finish	120V	Lamps		Dimensions		
			Qty	Lamp	H	W	D
Satin Aluminum	BBW113SAEC		1	13W CFQ 4 PIN	9"	8"	4"
Satin Aluminum	BBW113SAEC-PC		1	13W CFQ 4 PIN	9"	8"	4"