

**Aria Series
ARW113**

Features

Contemporary and clean styling is offered with this ADA outdoor collection of wet location wall sconces. Die-cast aluminum construction includes a frosted white case glass diffuser. Fixture mounts to standard junction box (not included).

Construction

Back plate is die-formed of 20-gauge aluminum. Cup is die-cast of .100" thick aluminum. Standard mounting holes and hardware are included. Power supply connections must be made inside a junction box (not included).

Finish

All metal parts are plated satin nickel or applied oil-rubbed bronze.

Diffuser

Diffuser is .100" thick enclosed hand-blown frosted white case glass. Diffuser mounts to cup with 2 set screws.

Electrical

This unit is wired with UL listed electronic normal power factor socket ballast for 120V/60 Hz AC operation.

Lamping

For use with 1/13 watt compact fluorescent 4 pin quad lamps; supplied by others.

Certification

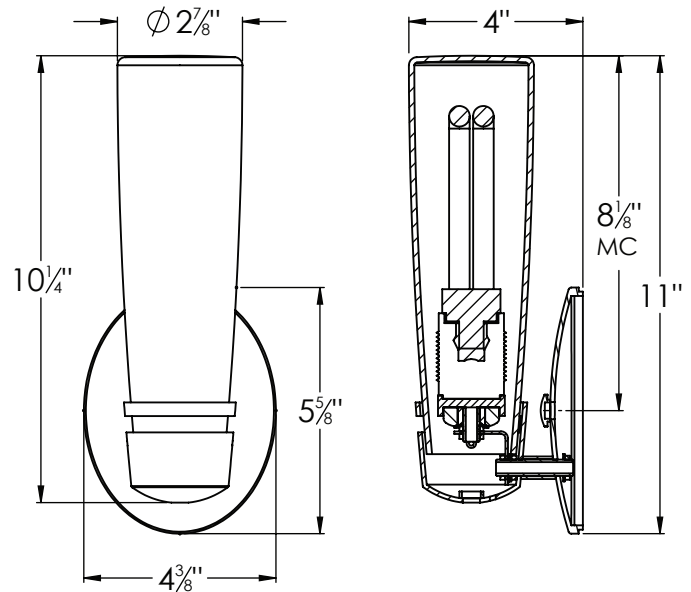
All fixtures are cULus listed for wet locations.

Options

ENERGY STAR qualified when ordered with 120V ballast and lamp

Specifications and dimensions subject to change without notice.

Project		Fixture Type
Location		Quantity
Approved By	Date	Catalog Number



Ordering Information:

Model No.		Lamps		Dimensions		
Finish	120V	Qty	Lamp	H	W	D
Satin Nickel	ARW113SNEC	1	13W CFQ 4 PIN	11"	4-3/8"	4"
Finish	120V	Qty	Lamp	H	W	D
Oil-Rubbed Bronze	ARW113RBEC	1	13W CFQ 4 PIN	11"	4-3/8"	4"