

**Aria Series
ARS118**

Features

Decorative ADA compliant wall sconce mounts to standard J box with plaster ring (by others). Attention to detail with a indistinguishable set screw for glass retention.

Construction

Cup and backplate are 1/8" thick cast aluminum.

Finish

All cast parts are plated satin nickel or applied oil-rubbed bronze.

Diffuser

Open top 1/8" thick two ply matte white case glass.

Electrical

All units are wired with UL listed electronic, normal power factor socket ballast for 120 volt, 60 Hz, AC operation.

Lamping

For use with 1/18 watt compact fluorescent 4 pin quad lamp supplied by others.

Certification

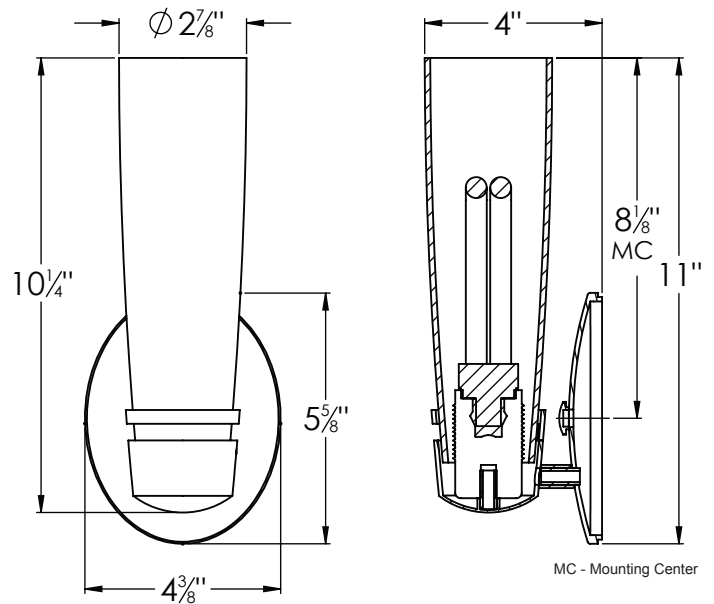
All fixtures are cULus listed for damp locations.

Options

ENERGY STAR qualified when ordered with 120V ballast and lamp

Specifications and dimensions subject to change without notice.

Project		Fixture Type
Location		Quantity
Approved By	Date	Catalog Number



Ordering Information:

Model No.		Lamps		Dimensions		
Finish	120V	Qty	Lamp	H	W	D
Satin Nickel	ARS118SNEC	1	18W CFQ 4 PIN	11"	4-3/8"	4"
Finish	120V	Qty	Lamp	H	W	D
Oil-Rubbed Bronze	ARS118RBEC	1	18W CFQ 4 PIN	11"	4-3/8"	4"

Photometric Information:

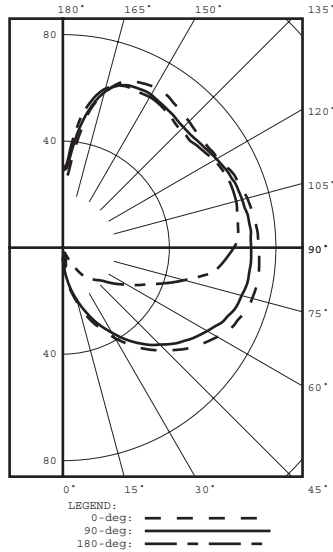
ARS118RBEC
ARS118SNEC

CANDELA DISTRIBUTION						FLUX
0	3.7	3.7	3.7	135.0	180.0	
0	3.7	3.7	3.7	135.0	180.0	
5	10.1	10.0	9.4	7.9	6.6	0.9
15	21.8	21.8	20.4	14.7	3.3	4.9
25	33.4	33.8	31.7	21.9	3.9	12.2
35	44.7	45.1	42.4	33.0	12.2	23.3
45	54.6	54.9	51.5	44.3	17.1	36.5
55	63.3	63.7	59.4	54.4	23.5	50.2
65	70.3	70.3	66.1	62.4	33.0	62.6
75	73.6	74.3	69.5	66.4	47.2	72.1
85	74.0	75.3	70.8	68.8	60.6	77.1
90	73.6	74.8	70.6	69.1	64.0	
95	73.3	74.1	70.9	69.4	66.1	77.4
105	71.7	71.8	69.7	67.6	67.4	73.8
115	69.2	68.7	68.1	65.9	66.8	67.1
125	66.3	66.3	65.2	63.5	63.9	58.3
135	67.0	65.3	64.0	63.0	62.6	49.7
145	69.2	67.0	65.4	65.1	64.7	41.4
155	68.4	68.0	66.1	67.7	64.9	31.3
165	60.2	61.9	60.4	66.6	61.8	17.6
175	30.5	31.5	35.7	40.4	39.8	3.8
180	28.9	28.9	28.9	28.9	28.9	

ZONAL LUMEN SUMMARY			
ZONE	LUMENS	%LAMP	%FIXT
0- 30	18.1	1.4	2.4
0- 40	41.4	3.3	5.4
0- 60	128.1	10.2	16.8
0- 90	340.0	27.2	44.7
90-120	218.3	17.5	28.7
90-130	276.7	22.1	36.4
90-150	367.8	29.4	48.4
90-180	420.6	33.6	55.3
0-180	760.6	60.8	100.0

TOTAL LUMINAIRE EFFICIENCY = 60.8 %

CIE TYPE - DIRECT-INDIRECT



COEFFICIENTS OF UTILIZATION - ZONAL CAVITY METHOD

EFFECTIVE FLOOR CAVITY REFLECTANCE 0.20

RC	80				70				50		
	70	50	30	10	70	50	30	10	50	30	10
0	64	64	64	64	59	59	59	59	49	49	49
1	55	52	48	45	50	47	44	41	38	36	33
2	49	43	38	34	44	39	35	31	32	28	25
3	44	37	31	27	40	33	29	25	27	23	20
4	40	32	26	22	36	29	24	20	23	19	16
5	36	28	22	18	33	25	20	16	20	16	13
6	33	25	19	15	30	23	17	14	18	14	11
7	31	22	17	13	27	20	15	12	16	12	9
8	28	20	15	11	25	18	13	10	15	11	8
9	26	18	13	10	24	16	12	9	13	10	7
10	24	16	12	9	22	15	11	8	12	9	6

