

**Aeon Series
AELF232/432**

Features

Geometric sloped sided ceiling mount fixture is available in two widths, 16" and 22" and two finishes, satin aluminum or oil-rubbed bronze. It can be used in various applications including corridors, kitchens and public spaces. This product offers a lift and shift gravity retention diffuser for ceiling mounting. Fixture mounts to standard junction box (not included).

Construction

Housing is die-formed of 22-gauge steel. Standard mounting holes and hardware are included. Decorative frame assembly is .06" extruded aluminum. Power supply connections must be made inside a junction box (not included).

Finish

Back plate is finished in lighting grade white baked gloss enamel paint. Frame assembly consists of extruded satin aluminum or applied oil-rubbed bronze with clear lacquer topcoat.

Diffuser

Acrylic diffuser is .125" thick gloss white for the satin aluminum frame and linen pattern white acrylic for the oil-rubbed bronze frame.

Electrical

This unit can be ordered in the following options: with UL listed instant-start, electronic high power factor ballast; 120-277V Universal 50/60Hz AC (MV suffix).

Lamping

For use with 2-32 or 4-32 watt T8 linear fluorescent lamps; not included.

Certification

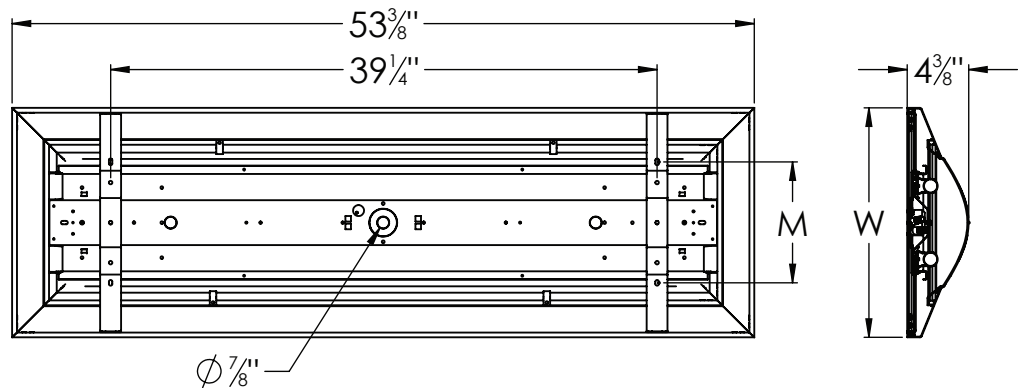
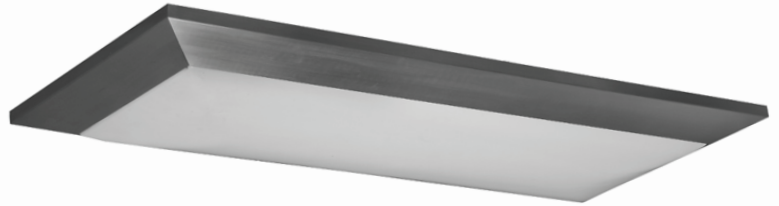
All fixtures are cULus listed for damp locations.

Options (consult factory)

Dimming
ENERGY STAR® qualified with 120V ballast

Specifications and dimensions
subject to change without notice.

Project _____		Fixture Type _____
Location _____		Quantity _____
Approved By _____	Date _____	Catalog Number _____



Ordering Information:

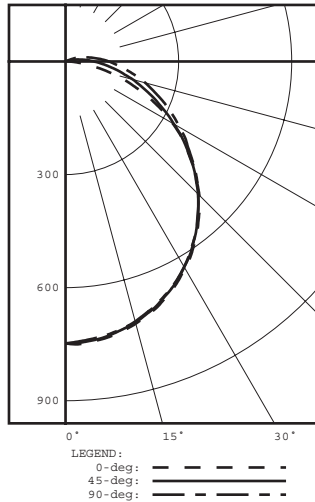
Model No.	Finish	Lamps		Dimensions			Mounting
		Qty	Type	H	W	L	M
120-277V		Qty	Type	H	W	L	M
AELF232SAMV	Satin Aluminum	2	F32T8	4-3/8"	16"	53-3/8"	8-1/2"
AELF432SAMV	Satin Aluminum	4	F32T8	4-3/8"	22"	53-3/8"	14"
120-277V		Qty	Type	H	W	L	M
AELF232RBMV	Oil-Rubbed Bronze	2	F32T8	4-3/8"	16"	53-3/8"	8-1/2"
AELF432RBMV	Oil-Rubbed Bronze	4	F32T8	4-3/8"	22"	53-3/8"	14"

AELF Series

Photometric Information:

AELF232

CANDELA DISTRIBUTION					FLUX
0.0	22.5	45.0	67.5	90.0	
0	748	748	748	748	748
5	747	747	744	742	740
15	720	720	717	716	714
25	669	670	665	667	663
35	594	599	590	596	589
45	502	506	497	505	498
55	389	395	389	402	397
65	262	276	278	305	303
75	134	157	185	217	219
85	31	69	106	140	144
90	11	37	76	106	114
95	5	15	51	72	87
105	2	1	12	32	42
115	1	1	1	1	2
125	0	0	0	0	0
135	0	0	0	0	0
145	0	0	0	0	0
155	0	0	0	0	0
165	0	0	0	0	0
175	0	0	0	0	0
180	0	0	0	0	0



COEFFICIENTS OF UTILIZATION - ZONAL CAVITY METHOD

EFFECTIVE FLOOR CAVITY REFLECTANCE 0.20

RC	80				70				50			
	RW	70	50	30	10	70	50	30	10	50	30	10
0	47	47	47	47	46	46	46	46	44	44	44	
1	43	40	38	37	41	39	38	36	37	36	35	
2	39	35	32	30	37	34	31	29	32	30	28	
3	35	31	27	24	34	30	27	24	28	26	24	
4	32	27	23	21	31	26	23	20	25	22	20	
5	29	24	20	18	28	24	20	18	23	20	17	
6	27	22	18	15	26	21	18	15	20	17	15	
7	25	20	16	14	24	19	16	13	19	15	13	
8	23	18	14	12	23	18	14	12	17	14	12	
9	22	16	13	11	21	16	13	11	16	13	11	
10	20	15	12	10	20	15	12	10	14	12	10	



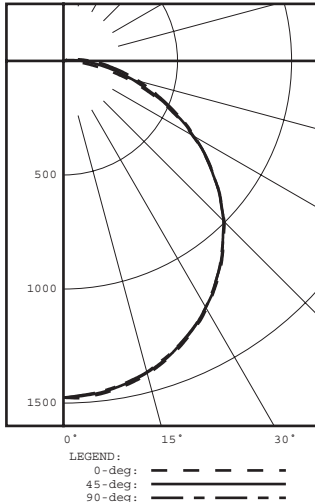
ZONAL ZONE	LUMEN LUMENS	%LAMP	%FIXT
0- 30	581	9.9	24.7
0- 40	953	16.2	40.5
0- 60	1695	28.7	72.0
0- 90	2283	38.7	97.0
90-120	70	1.2	3.0
90-130	70	1.2	3.0
90-150	70	1.2	3.0
90-180	70	1.2	3.0
0-180	2353	39.9	100.0

TOTAL LUMINAIRE EFFICIENCY = 39.9 %

CIE TYPE - DIRECT
 PLANE : 0-DEG 90-DEG
 SPACING CRITERIA : 1.3 1.3
 SHIELDING ANGLES : 90 90

AELF432

CANDELA DISTRIBUTION					FLUX
0.0	22.5	45.0	67.5	90.0	
0	1476	1476	1476	1476	1476
5	1474	1472	1467	1464	1463
15	1421	1418	1415	1412	1412
25	1320	1318	1315	1312	1312
35	1176	1177	1168	1172	1169
45	997	995	993	993	993
55	776	774	775	778	780
65	525	535	535	552	547
75	274	288	312	337	342
85	65	96	140	173	183
90	21	42	82	110	120
95	9	13	39	57	74
105	3	3	2	15	21
115	1	1	1	1	1
125	0	0	0	0	0
135	0	0	0	0	0
145	0	0	0	0	0
155	0	0	0	0	0
165	0	0	0	0	0
175	0	0	0	0	0
180	0	0	0	0	0



COEFFICIENTS OF UTILIZATION - ZONAL CAVITY METHOD

EFFECTIVE FLOOR CAVITY REFLECTANCE 0.20

RC	80				70				50			
	RW	70	50	30	10	70	50	30	10	50	30	10
0	44	44	44	44	43	43	43	43	41	41	41	
1	40	38	37	35	39	37	36	34	36	34	33	
2	37	33	31	28	35	33	30	28	31	29	27	
3	33	29	26	24	32	29	26	23	27	25	23	
4	30	26	22	20	29	25	22	20	24	22	19	
5	28	23	20	17	27	23	19	17	22	19	17	
6	26	21	17	15	25	20	17	15	20	17	15	
7	24	19	15	13	23	18	15	13	18	15	13	
8	22	17	14	12	22	17	14	12	16	14	12	
9	21	16	13	10	20	15	12	10	15	12	10	
10	19	14	11	10	19	14	11	9	14	11	9	



ZONAL ZONE	LUMEN LUMENS	%LAMP	%FIXT
0- 30	1147	9.7	26.0
0- 40	1880	15.9	42.7
0- 60	3342	28.3	75.8
0- 90	4353	36.9	98.8
90-120	53	0.4	1.2
90-130	53	0.4	1.2
90-150	53	0.4	1.2
90-180	53	0.4	1.2
0-180	4407	37.3	100.0

TOTAL LUMINAIRE EFFICIENCY = 37.3 %

CIE TYPE - DIRECT
 PLANE : 0-DEG 90-DEG
 SPACING CRITERIA : 1.3 1.3
 SHIELDING ANGLES : 90 90