

**Aeon Series  
AEL232/432**

**Features**

Geometric sloped sided pendant mount fixture is designed for indirect/direct light output for a wide even light distribution and low profile floating effect. It is available in two widths, 16" and 22" and two finishes, satin aluminum or oil-rubbed bronze. Standard suspension includes (2) 12" stems and canopy kit or suffix (CK) with a 45" cable and canopy kit, adjustable from 11-9/16" to 53-9/16" overall height. It can be used in various applications including corridors, kitchens and public spaces. This product offers a lift and shift gravity retention diffuser. Fixture mounts to standard junction box (not included).

**Construction**

Channel is die-formed of 22-gauge steel. Standard mounting holes are provided in the canopy back mounting plate. The canopy is 5" wide x 27" long and 1" deep. Decorative frame assembly is .06" extruded aluminum. Power supply connections must be made inside a junction box (not included).

**Finish**

Channel is finished in lighting grade white baked gloss enamel paint. Frame assembly consists of extruded satin aluminum or applied oil-rubbed bronze with clear lacquer topcoat.

**Diffuser**

Acrylic diffuser is .125" thick gloss white for the satin aluminum frame and linen pattern white acrylic for the oil-rubbed bronze frame.

**Electrical**

This unit can be ordered in the following options: with UL listed instant-start, electronic high power factor ballast; 120V 60Hz AC (E8 suffix), 120-277 Universal 50/60Hz AC (MV suffix).

**Lamping**

For use with 2/32 or 4/32 watt T8 linear fluorescent lamps; supplied by others.

**Certification**

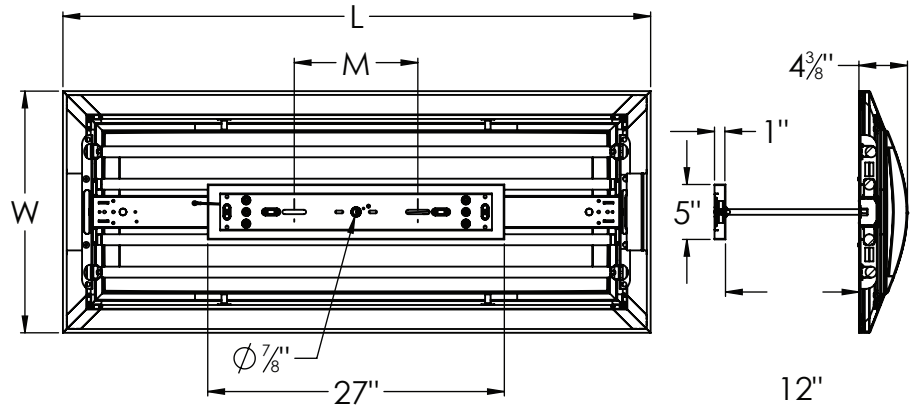
All fixtures are cULus listed for damp locations.

**Options (consult factory)**

120-277V HPF  
Dimming  
ENERGY STAR qualified with 120V ballast

Specifications and dimensions  
subject to change without notice.

Project		Fixture Type
Location		Quantity
Approved By	Date	Catalog Number



**Ordering Information:**

Model No.	Lamps		Dimensions			Mounting		
	120V	120-277V	Qty	Lamp	H	W	L	M
Satin Aluminum	AEL232SAE8-CK	AEL232SAMV-CK	2	F32T8	Adj.	16"	53-3/8"	11-1/4"
Satin Aluminum	AEL232SAE8	AEL232SAMV	2	F32T8	17-3/8"	16"	53-3/8"	11-1/4"
Satin Aluminum	AEL432SAE8-CK	AEL432SAMV-CK	4	F32T8	Adj.	22"	53-3/8"	11-1/4"
Satin Aluminum	AEL432SAE8	AEL432SAMV	4	F32T8	17-3/8"	22"	53-3/8"	11-1/4"
Oil-Rubbed Bronze	AEL232RBE8-CK	AEL232RBMV-CK	2	F32T8	Adj.	16"	53-3/8"	11-1/4"
Oil-Rubbed Bronze	AEL232RBE8	AEL232RBMV	2	F32T8	17-3/8"	16"	53-3/8"	11-1/4"
Oil-Rubbed Bronze	AEL432RBE8-CK	AEL432RBMV-CK	4	F32T8	Adj.	22"	53-3/8"	11-1/4"
Oil-Rubbed Bronze	AEL432RBE8	AEL432RBMV	4	F32T8	17-3/8"	22"	53-3/8"	11-1/4"

# AEL Series

## Photometric Information:

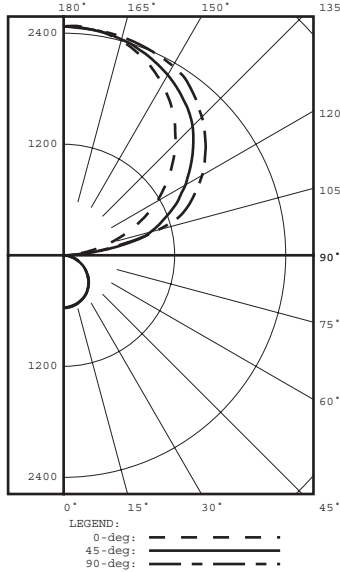
### AEL432SAE8

CANDELA DISTRIBUTION						FLUX
0	0.0	22.5	45.0	67.5	90.0	
5	566	566	566	566	566	54
15	546	546	545	543	542	154
25	507	509	508	507	506	234
35	449	456	453	456	451	284
45	380	384	383	383	379	295
55	296	299	296	297	296	266
65	201	205	204	208	206	203
75	104	109	115	123	124	123
85	24	35	50	61	64	54
90	9	15	32	41	47	
95	112	284	249	243	222	266
105	524	733	973	1062	1055	931
115	956	1133	1353	1499	1561	1296
125	1352	1489	1674	1814	1866	1474
135	1711	1794	1971	2067	2113	1496
145	2012	2057	2170	2273	2310	1356
155	2242	2263	2315	2370	2393	1070
165	2400	2403	2416	2433	2442	684
175	2476	2473	2465	2460	2461	235
180	2474	2474	2474	2474	2474	

ZONAL LUMEN SUMMARY			
ZONE	LUMENS	%LAMP	%FIXT
0- 30	442	3.7	4.2
0- 40	726	6.2	6.9
0- 60	1287	10.9	12.3
0- 90	1666	14.1	15.9
90-120	2494	21.1	23.8
90-130	3967	33.6	37.9
90-150	6819	57.8	65.1
90-180	8808	74.6	84.1
0-180	10474	88.8	100.0

TOTAL LUMINAIRE EFFICIENCY = 88.8 %

CIE TYPE - SEMI-INDIRECT  
 PLANE : 0-DEG 90-DEG  
 SHIELDING ANGLES : 90 90



### COEFFICIENTS OF UTILIZATION - ZONAL CAVITY METHOD

EFFECTIVE FLOOR CAVITY REFLECTANCE 0.20

RC	80				70				50			
	70	50	30	10	70	50	30	10	50	30	10	
0	88	88	88	88	77	77	77	77	57	57	57	
1	80	76	73	70	70	67	64	62	50	48	46	
2	73	66	61	57	64	58	54	51	43	41	38	
3	66	58	52	47	58	51	46	42	38	35	32	
4	60	51	45	40	53	45	40	35	34	30	27	
5	55	45	39	34	48	40	34	30	30	26	23	
6	51	41	34	29	44	36	30	26	27	23	20	
7	47	36	30	25	41	32	27	22	24	20	17	
8	43	33	26	22	38	29	24	20	22	18	15	
9	40	30	24	19	35	26	21	17	20	16	13	
10	37	27	21	17	33	24	19	15	18	14	12	

