

**Montrose Series
MNS218**

Project _____		Fixture Type _____
Location _____		Quantity _____
Approved By _____	Date _____	Catalog Number _____

Features

Transitional double armed wall mount sconce. Sconce is ADA compliant and features a single off white hard-back linen shade. Open top and bottom. Fixture mounts to standard junction box (not included).

Construction

Canopy and socket cup are die-formed of 22-gauge steel. The tapered torch-style arms are 22-gauge CRS and are affixed to a decorative canopy. (Torch-styled arms require minor assembly) Standard mounting holes and hardware are included. Power supply connections must be made inside a junction box (not included).

Finish

All metal parts are satin nickel with polished accents or oil-rubbed bronze finish with a clear lacquer topcoat.

Diffuser

Single open back off white linen shade is held in place with wire form and retaining nut.

Electrical

This unit is wired with UL listed electronic normal power factor socket ballast for 120V/60 Hz AC operation.

Lamping

For use with 1/18 or 2/18 watt compact fluorescent 4 pin quad lamps; supplied by others.

Certification

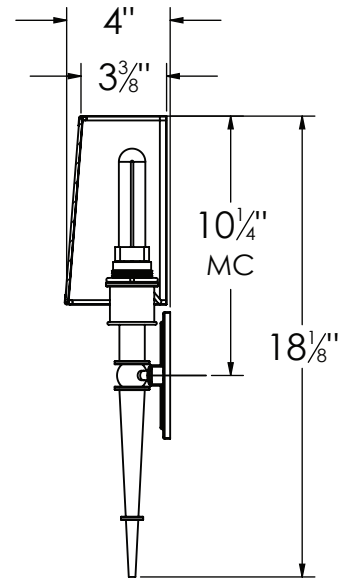
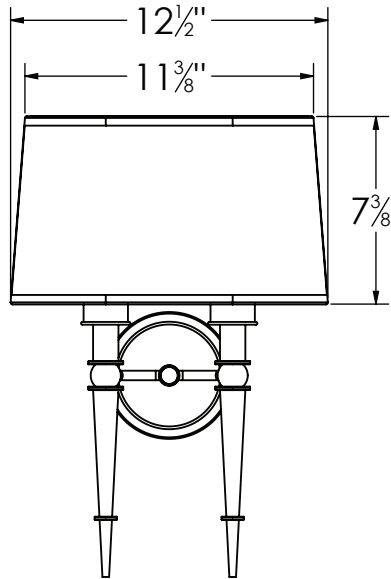
All fixtures are cULus listed for damp locations.

Options

ENERGY STAR qualified when ordered with 120V ballast and lamp
Custom finishes
Linen acrylic shade option

For photometric information, consult factory.

**Specifications and dimensions
subject to change without notice.**



MC - Mounting Center

Ordering Information:

Model No.	Lamps		Dimensions			
	120V	Qty	Lamp	H	W	D
Satin Nickel	MNS218SNEC	2	18W CFQ 4 PIN	18-1/8"	12-1/2"	4"
Oil-Rubbed Bronze	MNS218RBEC	2	18W CFQ 4 PIN	18-1/8"	12-1/2"	4"