

**Brio Series
BRS226**

Project _____		Fixture Type _____
Location _____		Quantity _____
Approved By _____	Date _____	Catalog Number _____

Features

Half cylinder wall mount sconce is ADA compliant and offers high quality decorative extruded aluminum bands. Open top and bottom for wall wash effect. Fixture mounts to standard junction box (not included).

Construction

Back plate is die-formed of 22-gauge steel. Decorative bands are .060" extruded aluminum with an apparent thickness of .100" that are screwed to a 22-gauge back plate. Standard mounting holes and hardware are included. Power supply connections must be made inside a junction box (not included).

Finish

Back plate and bands are finished in satin nickel, oil-rubbed bronze, and polished brass.

Diffuser

Diffuser is .100" thick matte white extruded acrylic lens that installs from the top and slides into position. Allow 18" from top of fixture to any obstruction to clear lens installation.

Electrical

This unit can be ordered in the following options: with UL listed programmed-start, electronic normal power factor ballast; 120-277V Universal 50/60Hz AC (MV suffix).

Lamping

For use with 2-26 watt compact fluorescent 4-pin quad lamps; not included.

Certification

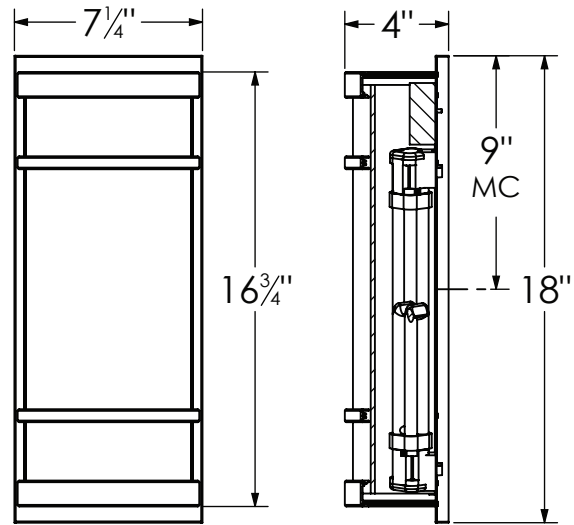
All fixtures are cULus listed for damp locations.

Options (consult factory)

- 2-13 lamping
- Dimming
- Custom finishes
- ENERGY STAR® qualified with 120V ballast

For photometric information, consult factory.

Specifications and dimensions
subject to change without notice.



MC - Mounting Center

Ordering Information:

Model No.	Finish	Lamps		Dimensions		
		Qty	Type	H	W	D
120-277V BRS226SNMV	Satin Nickel	2	26W CFQ 4-PIN	18"	7-1/4"	4"
120-277V BRS226RBMV	Oil-Rubbed Bronze	2	26W CFQ 4-PIN	18"	7-1/4"	4"
120-277V BRS226PBMV	Pollished Brass	2	26W CFQ 4-PIN	18"	7-1/4"	4"