

## Safety Precautions

Read all safety precautions and installation instructions carefully before installing or servicing this fixture. Failure to comply with these instructions could result in potentially fatal electric shock and/or property damage.

It is recommended that a qualified electrician perform all wiring. This fixture must be wired in accordance with all national and local electrical codes.

Do not handle any energized fixture or attempt to energize any fixture with wet hands or while standing on a wet or damp surface or in water.

This fixture is designed for use in a 277VAC, 60Hz fused circuit. Do not use on a dimming circuit.

To reduce the risk of electrical shock, and to assure proper operation, this fixture must be adequately grounded. To accomplish proper grounding, there must be a separate ground wire (green) or bare metal contact (metal conduit) between this fixture and the ground connection of your main power supply panel. The green ground screw location is clearly marked on the fixture housing.

This fixture is intended for use for general indoor lighting in dry or damp locations only.

## Assembly Instructions

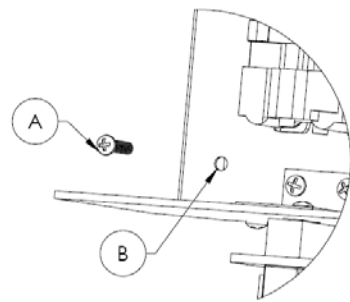
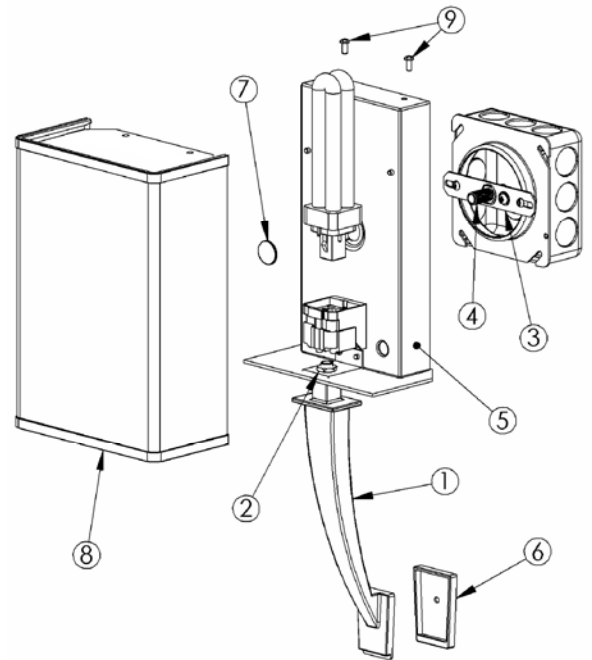
### 1. Preparing for installation-

- Disconnect electrical power** before installing or servicing any part of this fixture.
- Remove shade assembly (8), cast arm(s) (1) and backpan assembly (5) from cartons. Separate contents of hardware bag.
- Attach cast arm(s) to backpan assembly by inserting threaded stem of cast arm(s) through hole(s) in bottom lens bracket(s). Secure firmly with locknut(s) (2). Note: single sconce shown.

### 2. Wiring- all wiring must take place inside junction box.

**Caution:** Make sure power is off at fuse or circuit breaker box. Check power wires for damage or scrapes. If power supply wires are within three inches of ballast use wire suitable for at least 90C (194F). **Note:** Most dwellings built before 1985 have supply wire rated to 60C. Consult a qualified electrician before installing.

- Attach gem bar (3) to junction box (not provided) with two of the long screws provided.
- Securely attach green (or green and yellow) wire to fixture backpan ground with green hardware.
- Using wire connectors, connect white supply wire to white ballast lead. Connect black hot supply wire to black ballast lead. **Do not mix wires.** Tuck all connections neatly into junction box.



### 3. Mounting-

- Adjust threaded stem in gem bar so that approx. 1-1/4" is exposed and tighten with locknut. Either use fixture as a template for backplate(s) (6) positioning OR measure plumb 12-1/2" from center of stem and mark for backplate mounting hole. (Double sconce backplate center-to-center level distance is 6-1/2").
- Install wood screw (A) into anti-rotational hole (B) in back pan to prevent the fixture from rotating. **(Figure to left)**
- Attach mounting back plate(s) (6) to wall with anchor(s) and long screw(s) provided.
- Place bottom of fixture arm(s) (1) into bottom of back plate(s) (6) and swing up and over stem. Secure with thumbscrew (7).

**4. Lamp** -Install appropriate lamp(s) (not provided) per label on face of backpan. Insert lamp pins into lamp holder and press downwards until lamp snaps in place.

**5. Shade** -To install the shade assembly, align the two holes in the diffuser with the two holes on the top of the backpan and secure with short screws (9).

**6.** Restore power at fuse or circuit breaker box.

### Limited Factory Warranty

American Fluorescent Corporation hereby warranty that this fixture is free from defects in materials and workmanship when installed and used under normal operating conditions for a period of 2 years from date of purchase. This warranty covers all component parts and extends only to replacement of defective fixture or components; it does not cover failure due to improper installation, misuse, mishandling or damage incurred in transit.