

**Sheridan Series
SHS213/218**

Project		Fixture Type
Location		Quantity
Approved By	Date	Catalog Number

Features

Transitional shaded two light wall mount sconce is ADA compliant and fully enclosed with a top and bottom diffuser. This product offers a linen acrylic shade option that allows for ease of cleaning. Fixture mounts to junction box behind the shade.

Construction

Back plate is die formed of 20-gauge steel. Standard mounting holes and hardware are included. Power supply connections can be made inside a junction box (not included) or inside the ballast compartment. The arms are tapered cast aluminum and require assembly to the backplate and wall.

Finish

Backplate is finished in lighting grade white baked gloss enamel paint. Cast arm is finished in anodized champagne or a plated satin nickel.

Diffuser

Diffuser is a hard backed cream linen shade or optional white linen acrylic. Shade mounts to back plate with two screws. Top and bottom diffusers are .100" matte white acrylic.

Electrical

This unit can be ordered in the following options: with UL listed programmed-start, electronic normal power factor ballast; 120-277V Universal 50/60Hz AC (MV suffix). The series offers two standard options: ballasted for a 13 watt CFQ and satin nickel/linen acrylic shade or 18 watt CFQ and champagne finish/colored linen shade.

Lamping

For use with 2-13 watt or 18 watt compact fluorescent 4-pin quad lamps; not included.

Certification

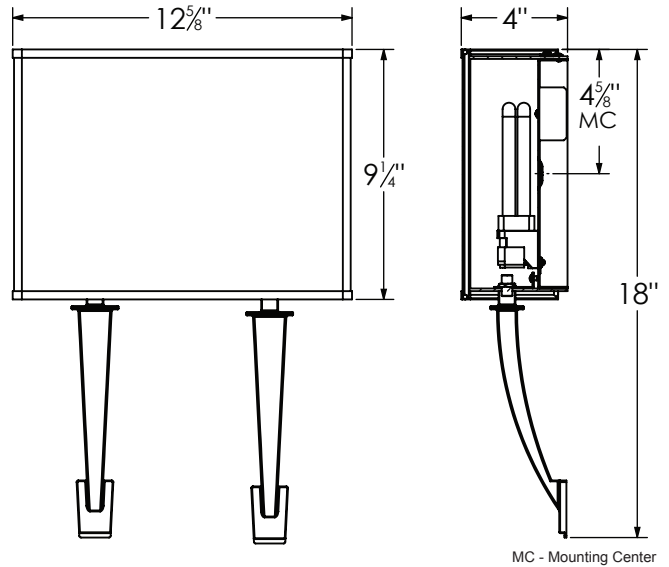
All fixtures are cULus listed for damp locations.

Options (consult factory)

Dimming
Custom finishes and shade variations can be specified
ENERGY STAR® qualified with 120V ballast

For photometric information, consult factory.

**Specifications and dimensions
subject to change without notice.**



Ordering Information:

Model No.	Finish	Lamps		Dimensions		
		Qty	Type	H	W	D
120-277V						
SHS213SNMV-LA	Satin Nickel	2	13W CFQ 4-PIN	18"	12-5/8"	4"
120-277V						
SHS218ACMV	Champagne	2	18W CFQ 4-PIN	18"	12-5/8"	4"

Photometric Information:

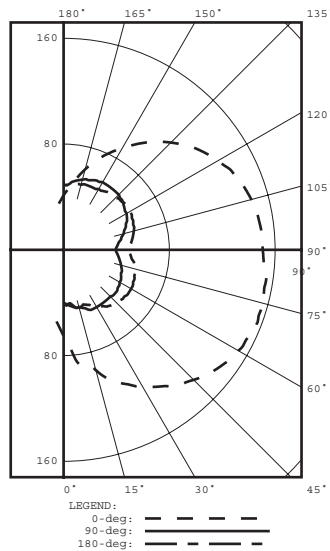
SHS213

CANDELA DISTRIBUTION					FLUX
0.0	45.0	90.0	135.0	180.0	
0	40	40	40	40	4
5	49	47	42	43	16
15	77	72	45	44	29
25	93	94	50	44	45
35	111	103	50	42	60
45	128	111	50	42	72
55	143	121	50	42	82
65	154	129	48	40	88
75	162	134	45	38	90
85	163	135	41	36	91
90	163	134	40	35	91
95	162	134	41	37	90
105	163	136	47	43	88
115	160	135	53	49	79
125	152	130	56	53	66
135	139	120	59	56	50
145	122	107	59	57	33
155	102	91	58	57	18
165	80	75	55	54	5
175	58	56	50	50	
180	49	49	49	49	

ZONAL ZONE	LUMEN LUMENS	%LAMP	%FIXT
0-30	50	2.8	4.9
0-40	95	5.3	9.4
0-60	226	12.6	22.5
0-90	487	27.0	48.4
90-120	268	14.9	26.7
90-130	347	19.3	34.6
90-150	462	25.7	46.0
90-180	518	28.8	51.6
0-180	1005	55.8	100.0

TOTAL LUMINAIRE EFFICIENCY = 55.8 %

CIE TYPE - DIRECT-INDIRECT
 PLANE : 0-DEG 90-DEG 180-DEG
 SPACING CRITERIA : 3.3 1.8 2.0



COEFFICIENTS OF UTILIZATION - ZONAL CAVITY METHOD

EFFECTIVE FLOOR CAVITY REFLECTANCE 0.20

RC	80				70				50			
	70	50	30	10	70	50	30	10	50	30	10	
0	60	60	60	60	55	55	55	55	46	46	46	
1	52	48	45	42	47	44	42	39	37	35	33	
2	46	41	36	33	42	37	33	30	31	28	25	
3	42	35	30	26	38	32	28	24	26	23	20	
4	38	31	25	21	34	28	23	20	23	19	16	
5	34	27	22	18	31	25	20	16	20	16	14	
6	32	24	19	15	29	22	17	14	18	14	12	
7	29	21	16	13	26	20	15	12	16	13	10	
8	27	19	15	11	24	18	13	10	15	11	9	
9	25	17	13	10	23	16	12	9	13	10	8	
10	23	16	12	9	21	15	11	8	12	9	7	



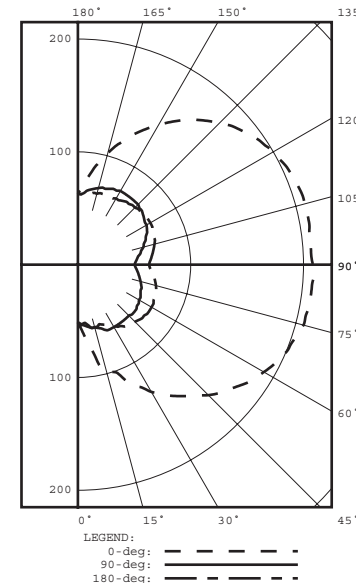
SHS218

CANDELA DISTRIBUTION					FLUX
0.0	45.0	90.0	135.0	180.0	
0	51	51	51	51	5
5	63	60	54	55	20
15	98	92	58	56	38
25	119	120	64	56	58
35	142	132	64	54	76
45	164	142	64	54	92
55	183	155	64	54	105
65	197	165	61	51	113
75	207	171	58	49	115
85	208	173	52	46	115
90	208	171	51	45	115
95	207	171	52	47	116
105	208	174	60	55	112
115	204	173	68	63	101
125	194	166	72	68	84
135	178	153	75	72	63
145	156	137	75	73	42
155	130	116	74	73	23
165	102	96	70	69	7
175	74	72	64	64	
180	63	63	63	63	

ZONAL ZONE	LUMEN LUMENS	%LAMP	%FIXT
0-30	63	2.8	4.9
0-40	121	5.3	9.4
0-60	289	12.6	22.5
0-90	622	27.0	48.4
90-120	343	14.9	26.7
90-130	444	19.3	34.6
90-150	591	25.7	46.0
90-180	662	28.8	51.6
0-180	1284	55.8	100.0

TOTAL LUMINAIRE EFFICIENCY = 55.8 %

CIE TYPE - DIRECT-INDIRECT
 PLANE : 0-DEG 90-DEG 180-DEG
 SPACING CRITERIA : 3.3 1.8 2.0



COEFFICIENTS OF UTILIZATION - ZONAL CAVITY METHOD

EFFECTIVE FLOOR CAVITY REFLECTANCE 0.20

RC	80				70				50			
	70	50	30	10	70	50	30	10	50	30	10	
0	60	60	60	60	55	55	55	55	46	46	46	
1	52	48	45	42	47	44	42	39	37	35	33	
2	46	41	36	33	42	37	33	30	31	28	25	
3	42	35	30	26	38	32	28	24	26	23	20	
4	38	31	25	21	34	28	23	20	23	19	16	
5	34	27	22	18	31	25	20	16	20	16	14	
6	32	24	19	15	29	22	17	14	18	14	12	
7	29	21	16	13	26	20	15	12	16	13	10	
8	27	19	15	11	24	18	13	10	15	11	9	
9	25	17	13	10	23	16	12	9	13	10	8	
10	23	16	12	9	21	15	11	8	12	9	7	

