

Safety Precautions

Read all safety precautions and installation instructions carefully before installing or servicing this fixture. Failure to comply with these instructions could result in potentially fatal electric shock and/or property damage.

It is recommended that all wiring be performed by a qualified electrician. This fixture must be wired in accordance with all national and local electrical codes.

Do not handle any energized fixture or attempt to energize any fixture with wet hands or while standing on a wet or damp surface or in water.

Make sure that the power source conforms to the requirements of the fixture. (See labels on fixture housing).

To reduce the risk of electrical shock, and to assure proper operation, this fixture must be adequately grounded. To accomplish proper grounding, there must be a separate ground wire (green) or bare metal contact (metal conduit) between this fixture and the ground connection of your main power supply panel. The green ground screw location is clearly marked on the fixture housing.

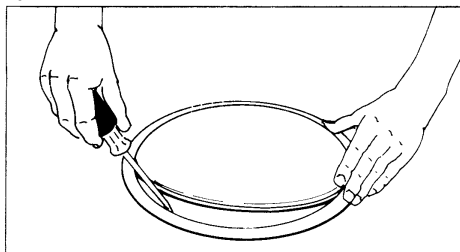
This fixture is intended to be used for general indoor lighting in dry or damp locations only.

Assembly Instructions

1. Preparing for installation

- A. **Disconnect electrical power** before installing or servicing any part of this fixture.
- B. Remove diffuser, shift diffuser (1) to one side and gently remove diffuser as shown.

Figure 1: Removal of Diffuser



2. Wiring.

All wiring must take place inside junction box. Caution: Make sure power is off at fuse or circuit breaker box. Check power wires for damage or scrapes. If power supply wires are within three inches of ballast use wire suitable for at least 90C (194F). **Note:** Most dwellings built before 1985 have supply wire rated to 60C. Consult a qualified electrician before installing.

- A. This unit will not operate properly unless connected to a “grounded” electrical circuit. Electrical shock, over heating, low or no light output, and shortened lamp life can result if proper grounding is not done. Securely attach green (or green and yellow) wire to ground supply wire.
- B. Using wire connectors (provided), connect white supply wire to white ballast lead. Connect black hot supply wire to black ballast lead. **Do not mix wires.** Pull on each wire lead to make sure connections are secure. Make certain no bare wires are exposed outside of wire connectors.

3. Mounting.

- A. Mount housing (4) to junction box (9 - not provided) with the two #8-32 x 7/8” screws (7 - provided) through keyhole slots (8).

4. Lamps

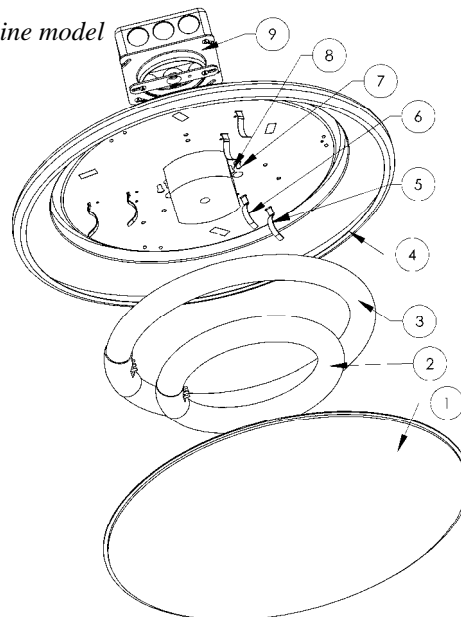
- A. Circline – Lamps (2, 3) are installed around clips (6, 5) and are connected to their appropriate ballast wires: inner lamp (2) connects to yellow/blue, outer lamp (3) connects to yellow/red. Remove all wire ties (not pictured) supporting lamps.
- B. Compact – Install lamps (10 - not provided) by inserting lamp pins into lamp holder and press until lamp snaps in place.

5. Diffuser mounting.

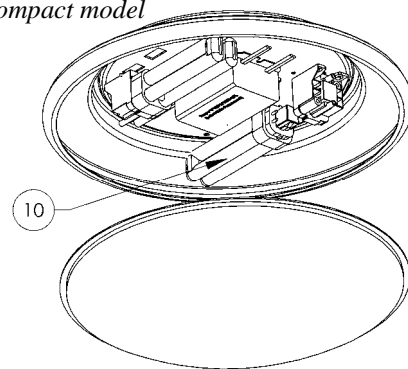
- A. Install the round plastic diffuser (1). Bend the diffuser (1) slightly and start to feed the diffuser under the lip on the fixture housing until it snaps into position.

6. Power to the fixture can now be restored.

Circline model



Compact model



Limited Factory Warranty

American Fluorescent Corporation hereby warranty that this fixture is free from defects in materials and workmanship when installed and used under normal operating conditions for a period of 2 years from date of purchase. This warranty covers all component parts and extends only to replacement of defective fixture or components; it does not cover failure due to improper installation, misuse, mishandling or damage incurred in transit.