

**Venus Series
FSM213/FSMW213**

Features

Decorative quarter sphere includes smooth white acrylic diffuser for floating cloud effect. Sconce is ADA compliant and provides up light for wall wash effect. Fixture mounts to standard junction box (not included).

Construction

Back plate is die-formed of 22-gauge steel. Standard mounting holes and hardware are included. Power supply connections must be made inside a junction box (not included).

Finish

Back plate is finished in lighting grade white baked gloss enamel paint.

Diffuser

Diffuser is .100" thick smooth white acrylic that snaps into spring clips on back plate. Chrome accent band on diffuser is available upon request.

Electrical

This unit can be ordered in the following options: with UL listed instant-start, electronic high power factor ballast; 120V 60Hz AC (EC suffix).

Lamping

For use with 2/13 watt compact fluorescent 4 pin quad lamps; supplied by others.

Certification

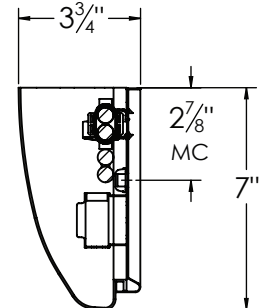
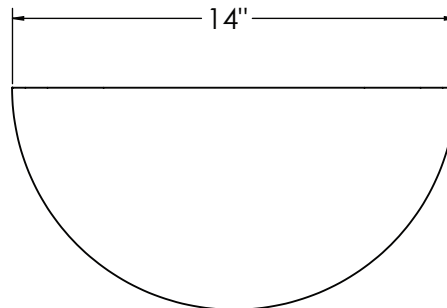
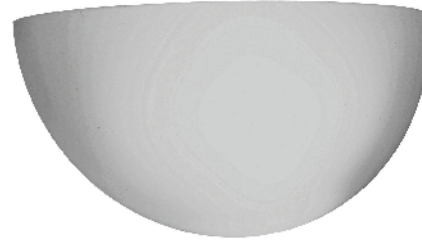
All fixtures are cULus listed for damp locations.

Options

Custom finishes

Specifications and dimensions
subject to change without notice.

Project		Fixture Type
Location		Quantity
Approved By	Date	Catalog Number



MC - Mounting Center

Ordering Information:

Model No.	120V	Lamps		Dimensions		
		Qty	Lamp	H	W	D
White	FSM213	2	13W TWIN TUBES	7"	14"	3-3/4"
White Marble/ Chrome Trim	FSMW213	2	13W TWIN TUBES	7"	14"	3-3/4"