

Safety Precautions

Read all safety precautions and installation instructions carefully before installing or servicing this fixture. Failure to comply with these instructions could result in potentially fatal electric shock and/or property damage.

It is recommended that a qualified electrician perform all wiring. This fixture must be wired in accordance with all national and local electrical codes.

Do not handle any energized fixture or attempt to energize any fixture with wet hands or while standing on a wet or damp surface or in water.

Make sure that the power source conforms to the requirements of the fixture. (See labels on fixture housing).

Models ending in MV power source 120-277V Non-dimmable

Models ending in SCTD power source 120V (Self Ballasted dimmable CFL) Usable on a dimming circuit with dimmable lamps

To reduce the risk of electrical shock, and to assure proper operation, this fixture must be adequately grounded. To accomplish proper grounding there must be a separate ground wire (green) or bare metal contact (metal conduit) between this fixture and the ground connection of your main power supply panel.

This fixture is intended for use as general lighting in dry or damp locations.

Assembly Instructions

1. Preparing for installation.

- Disconnect electrical power** before installing or servicing any part of this fixture.
- Unpack and lay out all fixture components to verify everything is included to fully assemble the fixture.
- Please affix all stems with supplied thread locker to prevent stems from coming undone when assembled.

2. Fixture assembly - Lighting fixture is partially assembled

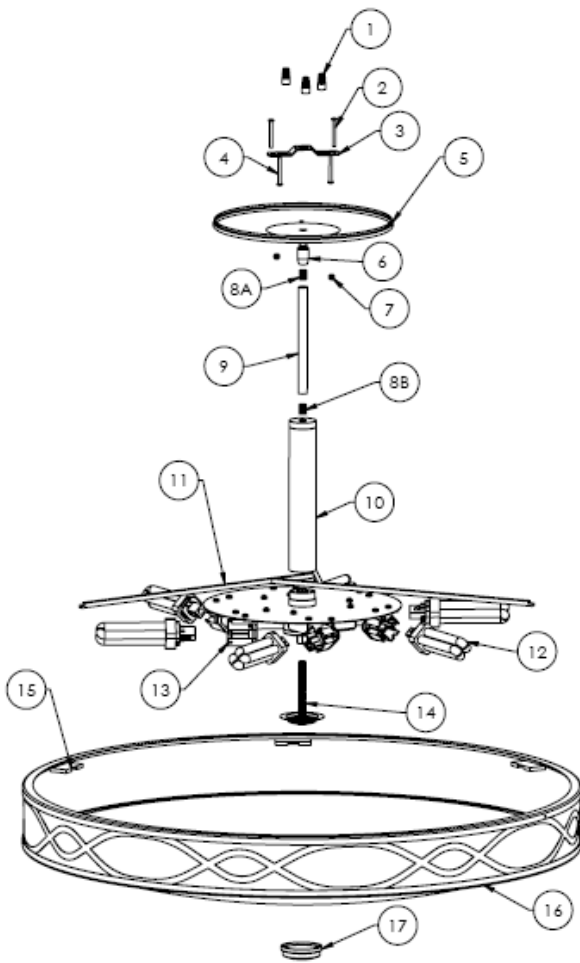
- Take the fixture power wires (black and white) and feed them through the 1-1/2" stem assembly (10). Thread the stem assembly into the fitting on top of the ballast/lamp tray until secure.
- Slide diffuser support (11-**only found on 6-lamp unit**) over 1 1/2" stem assembly and allow it to rest on top of the ballast/lamp mounting tray. **NOTE: Verify Step 2C is completed prior to moving on for the 6-lamp unit only.**
- Feed wires through the 1/2" nipple (8B) and stem (9) and screw the stem into nipple on top of the 1-1/2" stem (10). **NOTE: Two 6" and two 12" stems included for desired height between 1-1/2" stem and canopy.**
- Slide wires through 1/2" threaded nipple (8A) and screw nipple 1/4" into stem (9) and swivel assembly (6). Slide wires through swivel (6) and canopy (5) assembly and tighten.

3. Fixture mounting.

- Install short screws (2) provided into threaded holes near ends of gem bar (3). Be sure these screws line up with holes in canopy.
- Insert 1 1/2" (4) screws through slots in gem bar (3) and secure to junction box in ceiling (not provided). Be sure short screws (2) in gem bar (3) pointing down. Slide supply wires through center hole of mounting bracket.

4. Wiring.

Caution: Make sure power is off at fuse or circuit breaker box. Check power wires for damage or scrapes. If power supply wires are within three inches of ballast use wire suitable for at least 90C (194F). **Note:** Most dwellings built before 1985 have supply wire rated to 60C. Consult a qualified electrician before installing.



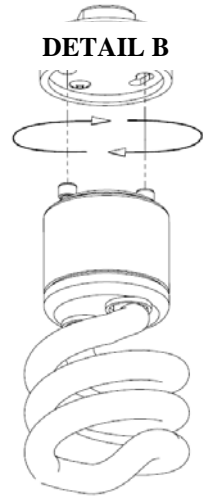
*MV model shown with 4-pin CFL's

- A. This unit will not operate properly unless connected to a “grounded” electrical circuit. Electrical shock, over heating, low or no light output, and shortened lamp life can result if proper is not properly grounded. Securely attach green (or green and yellow) wire to ground.
- B. Using wire connectors (1) provided, connect white supply wire to white ballast lead. Connect black hot supply wire to black ballast lead. **Do not mix wires.** Pull on each wire to make sure connections are secure. Make certain no bare wires are exposed outside of wire connectors.
- C. Line-up the two holes in the canopy (5) with the two screws in the mounting bracket. Secure fixture to screws with the thumb nuts (7) provided.

5. Lamp Installation (Lamps included on models ending with “SCTD”).

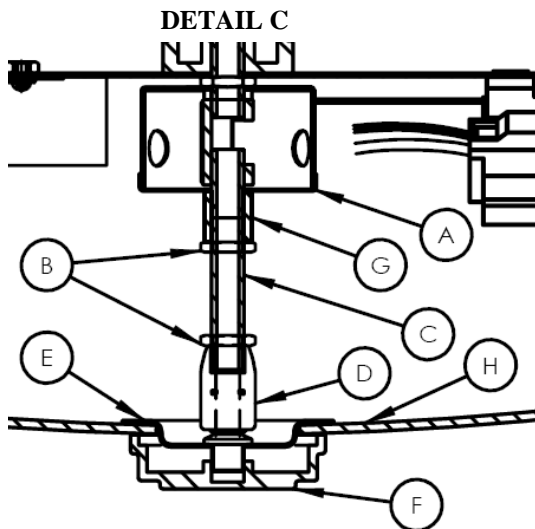
- A. For model ending in MV, use only 13 watt fluorescent, quad 4-pin lamps (12). To install, line-up lamp pins with the corresponding holes in the lamp socket (13) and push lamp into place until a click is heard. Repeat for each lamp.
- B. For models ending in SCTD (See Detail B) usable on a dimming circuit with dimmable GU24 base lamps, use only GU24 base lamps (26W max.). To install, line up lamp pins with the corresponding holes in lamp socket and turn clockwise until a click is heard. Repeat for each lamp.

NOTE: BE CAREFUL NOT TO ROTATE PENDANT DURING LAMP INSTALLATION/REPLACEMENT



6. Diffuser Installation

- A. On the 6-lamp unit, line up the diffuser support (11) with the tabs (15) on the inside of the diffuser (16); they should rest under each tab.
- B. Thread long nipple with cap (14) into fitting in bottom of ballast housing assembly approximately 1/4”. Line up center hole in diffuser (16) with cap, center hole in cap to nipple and secure with finial (17).
- C. For the 4-lamp unit (see Detail C), there is a hang straight (D) for the diffuser. Thread the long nipple (C) into the coupling (G) on hub (A) and use hexnut (B) to keep the stem from rotating. Next, thread the hang straight (D) onto the nipple (C). Place the diffuser collar (E) into the center hole on the diffuser (F) and place them into the threaded part of the hang straight and tighten with finial (F). Use a level to adjust the diffuser from the top side.



Limited Factory Warranty

American Fluorescent Corporation hereby warranty that this fixture is free from defects in materials and workmanship when installed and used under normal operating conditions for a period of 2 years from date of purchase. This warranty covers all component parts and extends only to replacement of defective fixture or components; it does not cover failure due to improper installation, misuse, mishandling or damage incurred in transit.