

FISHTABLE

45" x 23" All Purpose Folding Game Table INSTRUCTION MANUAL



READ ALL INSTRUCTIONS AND WARNINGS BEFORE USING THIS PRODUCT.

Every effort has been made to ensure the accuracy of this manual. These instructions are not meant to cover every possible condition and situation that may occur. We reserve the right to change this product at any time without prior notice.

IF THERE IS ANY QUESTION ABOUT A CONDITION BEING SAFE OR UNSAFE,
DO NOT OPERATE THIS PRODUCT!

DO NOT RETURN THIS PRODUCT TO THE RETAILER - CONTACT CUSTOMER SERVICE.

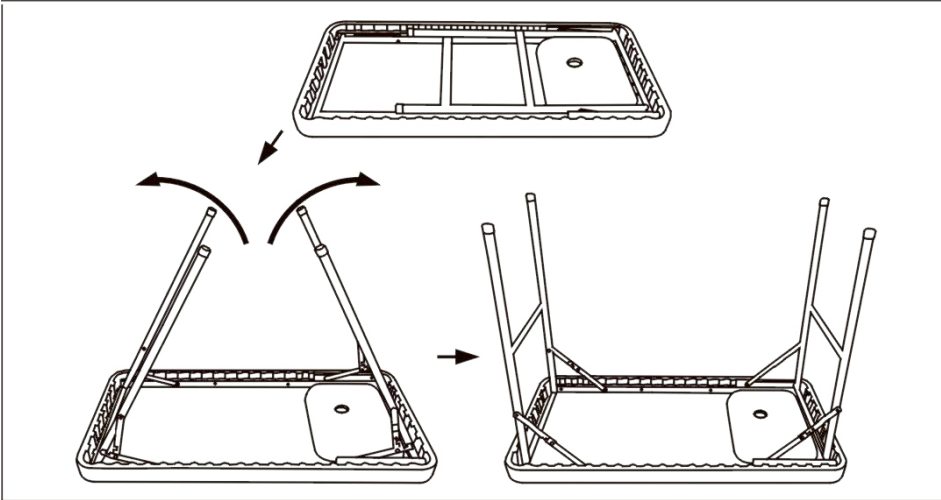
If you experience a problem, have questions or need parts for this product, visit our website at <http://www.buffalotools.com> or call Customer Service at **1-888-287-6981, Monday-Friday, 8 AM - 4 PM Central Time**. A copy of the sales receipt is required.

FOR CONSUMER USE ONLY - NOT FOR PROFESSIONAL USE.

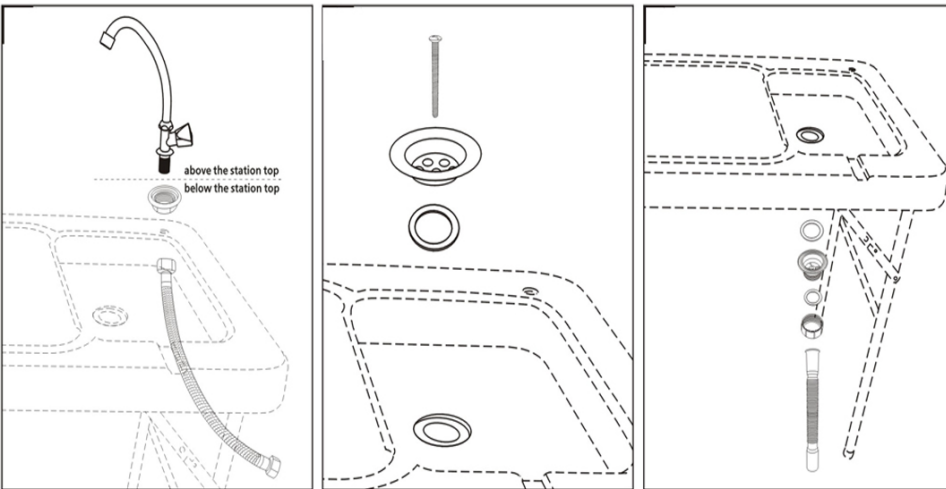
KEEP THIS MANUAL, SALES RECEIPT & APPLICABLE WARRANTY FOR FUTURE REFERENCE.

FISHTABLE 45" x 23" Folding Fish Table

- Portable Table For Cleaning Fish & Game On-Site
- Attach Water Hose To Faucet, Place Bucket Underneath, Cut And Clean Fish Or Game For Food Preparation
- Chrome Plated Faucet With Garden Hose Hook Up
- Bucket Not Included
- Measures 34" Height
- Durable Plastic Top
- **WARNING: Maximum Weight Capacity: 240 Lbs.**

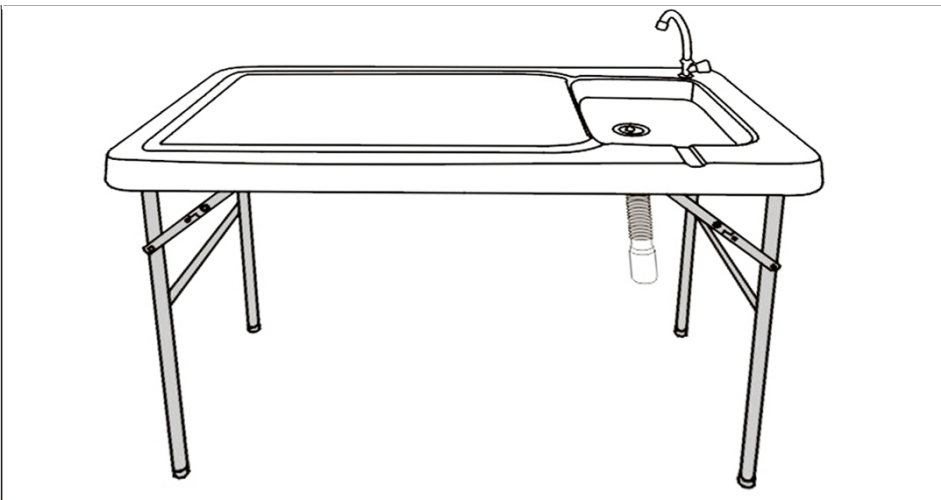


1. Remove table from carton, and unfold each leg into upright position. Be certain all legs are securely LOCKED before standing upright.



To assemble Faucet & Drain: Connect the 3/4 inch Female Hose end to the faucet end. Connect the 1 Inch Female End to a standard Garden Hose.

Place the metal drain, screw and rubber washer.



IMPORTANT SAFETY RULES

Keep out of reach of children. This unit is not a toy.

COMMON SENSE AND CAUTION ARE FACTORS WHICH CANNOT BE BUILT INTO ANY PRODUCT. THESE FACTORS MUST BE SUPPLIED BY THE OPERATOR.