

MHG10, MHG22, MHG32

Meat Grinder

Assembly & Operating Instructions



KEEP THIS MANUAL, SALES RECEIPT & APPLICABLE WARRANTY FOR FUTURE REFERENCE.

READ THE ENTIRE MANUAL TO BECOME FAMILIAR WITH THIS PRODUCT BEFORE YOU BEGIN USING IT.

⚠ WARNING

READ AND UNDERSTAND ALL INSTRUCTIONS. Failure to follow all instructions may result in personal injury.

IF THERE IS ANY QUESTION ABOUT A CONDITION BEING SAFE OR UNSAFE, DO NOT OPERATE THIS PRODUCT!

FOR CONSUMER USE ONLY - NOT FOR PROFESSIONAL USE.

The warning and safety instructions appearing in this manual are not meant to cover all possible conditions and situations that may occur. Common sense, caution and care must be exercised when operating or cleaning tools and equipment. Always contact your dealer, distributor, service agent or manufacturer about problems or conditions you do not understand before operating the product.

080320

ASSEMBLY

⚠ WARNING

Before and after use, wash all parts with warm soapy water. Cutting knives are sharp! Use care when handling the product and when cleaning the product to prevent injury.

Before use, clean with warm soapy water. Follow the diagram (Figure 1) to assemble the Grinder Body, Grinder Blade and Grinder Plate. After use, disassemble and clean with warm soapy water and apply vegetable oil to the meat grinder to resist rusting.

For Model MHG10, be certain the clamp is attached securely to table top before using.

For Model MHG22 and MHG32, use screws (not included) to attach the four legs securely to the table top.

OPERATION

ATTENTION: GRINDING PLATES & KNIVES ARE NOT DISHWASHER SAFE. HANDWASH ONLY!

Use Fine Cutting Plate- For spreads, baby food, hamburgers

Use Medium Cutting Plate- For ground meat used in soups or relishes

Use Coarse Cutting Plate- For ground meat used in chili or vegetables

Cut meat into small pieces and put them into the top opening of the Grinder Body. Do not use bones during the grinding. If meat gets clogged, do not use fingers to clear the Grinder Body. Use a small spatula to clear the meat.

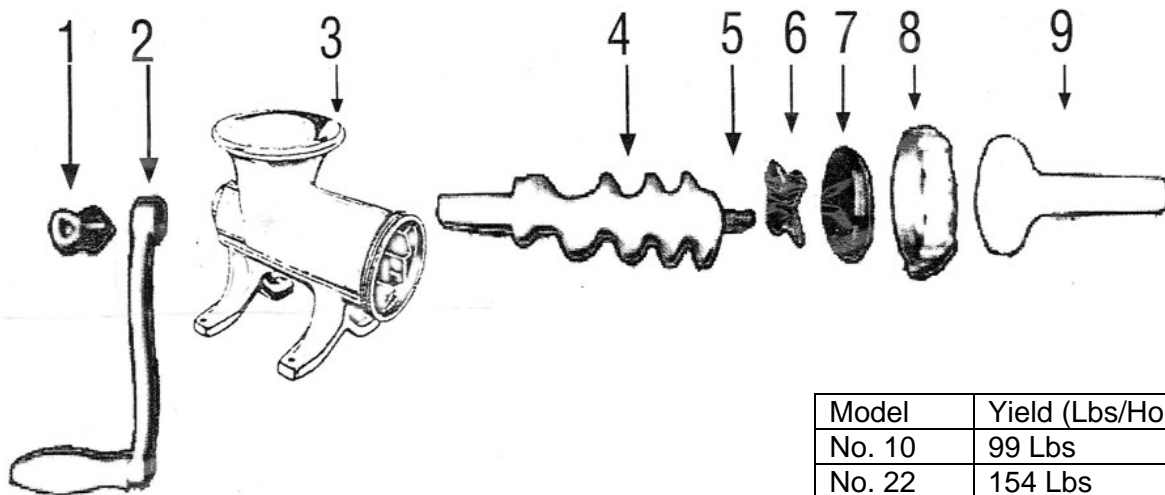


Figure 1

Model	Yield (Lbs/Hour)
No. 10	99 Lbs
No. 22	154 Lbs
No. 32	198 Lbs

Part #	Description	Qty	Part #	Description	Qty
1	Eye Screw	1	6	Grinding Knife	1
2	Handle	1	7	Grinding Plate	2
3	Grinder Body	1	8	Screw Ring	1
4	Worm	1	9	Meat Stuffer	1
5	Screw Bar	1			