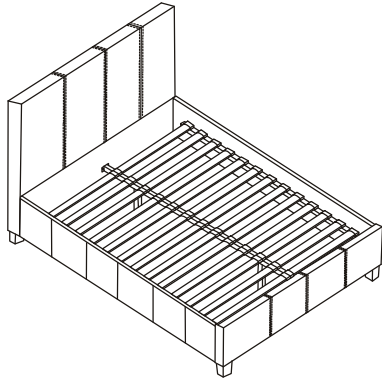









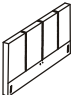

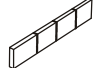








Instruction for assembly and installation BERLIN BED



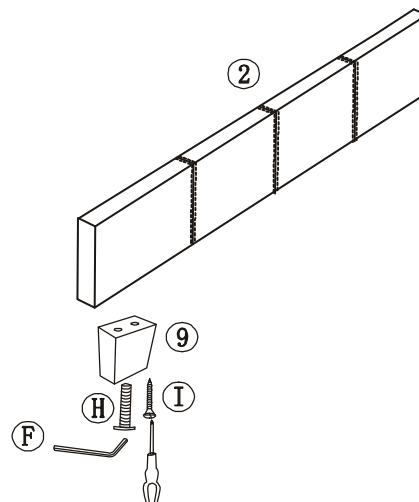
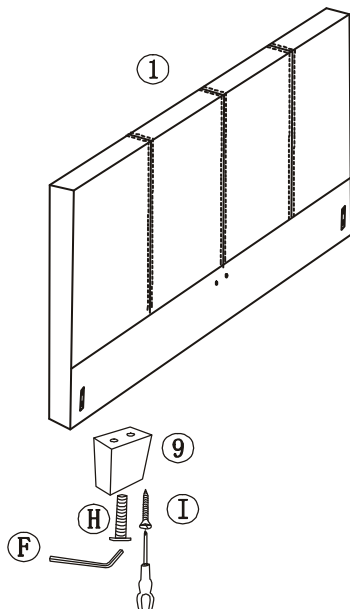
Hardware list					
A	Bolts (M8 x 30mm)		(12 pcs)	F	M5 Allen Key  (1 pc)
B	Bolts (M8 x 40mm)		(4 pcs)	G	Spanner  (1 pc)
C	Nuts (M8 x 13mm)		(4 pcs)	H	Bolts (M8 x 70mm)  (4 pcs)
D	Spring Washer		(8 pcs)	I	Screws (M4 x 70mm)  (4 pcs)
E	Flat Washer		(8 pcs)		

Components list

01	Headboard		(1 pc)	06	Support Legs		(2 pcs)
02	Footboard		(1 pc)	07	Slats		(26 pcs)
03	Side Rails		(2 pcs)	08	Single Plastic Cap		(26 pcs)
04	Double Plastic Cap		(13 pcs)	09	Legs		(4 pcs)
05	Centre Support Bar		(1 pc)				

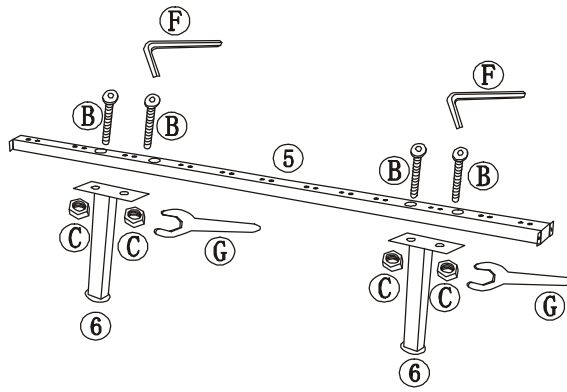
Setep 1

Fixing legs to Headboard & Footboard.



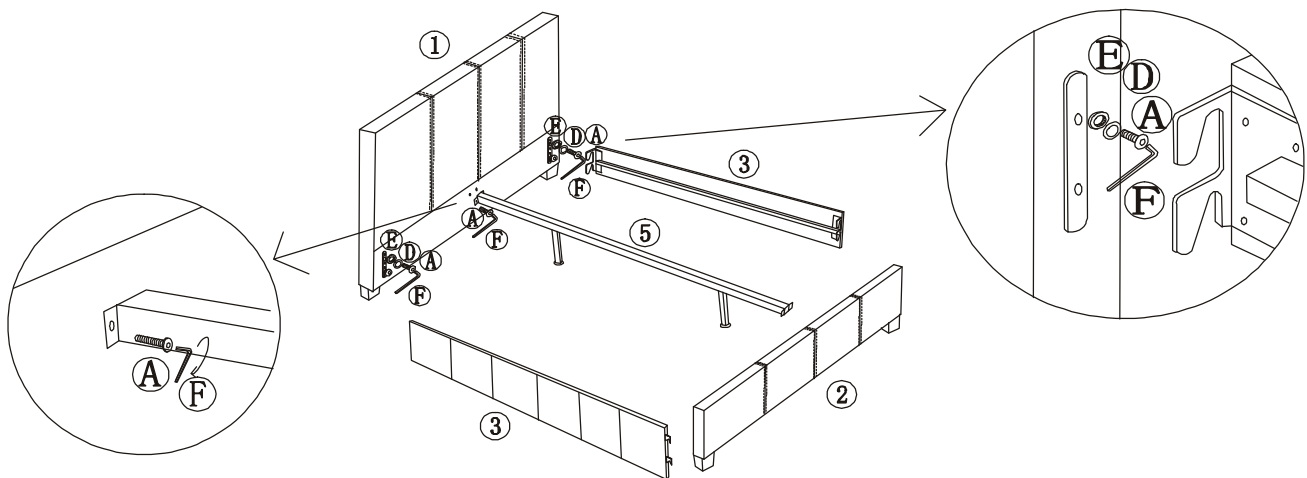
Setep 2

Fixing Support legs to Centre support bar.



Setep 3

Fixing Side rails and Centre support bar to Headboard & Footboard.



Setep 4

Fixing Plastic cap and Slats.

