

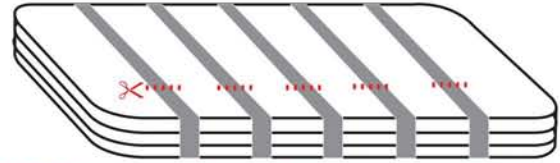
Convert-A-Couch®

To view the "Convert-A-Couch Assembly" video, please visit www.handyliving.com/products/overview-assembly

Assembly Instructions

Your Convert-A-Couch® will come in one box.

It is recommended that you enlist the help of another person during the assembly process.



CAREFULLY cut the packing straps using scissors.

A. CHECK PACKAGE CONTENTS

Remove all of the components from the packaging and set aside for assembly. Remove cushions and/or pillows carefully as to not tear items or injure yourself on interior framing hardware or loose shipping materials.

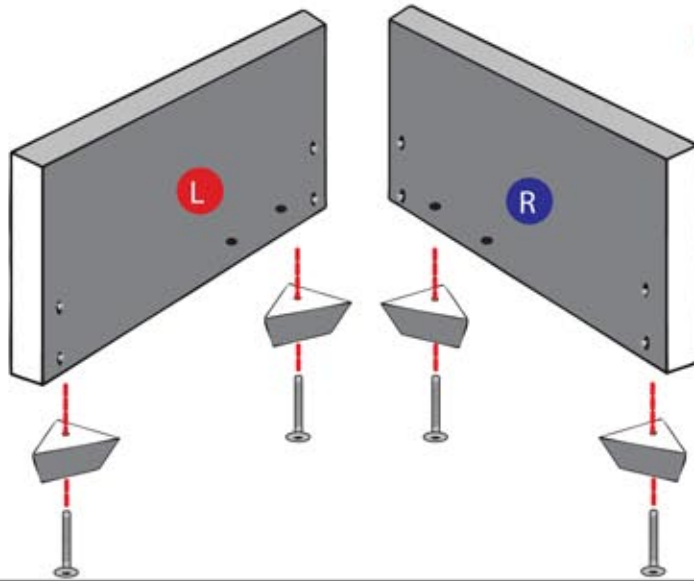
DO NOT use any sharp objects to open plastic wrapped components as damage to components may result

<p>A SEAT DECK (x1)</p>	<p>B BACK DECK (x1)</p>	<p>C CUSHION COVER (x1)</p>	<p>D POCKET COIL CUSHIONS (x2)</p>
<p>E LEFT ARM (x1)</p>	<p>F RIGHT ARM (x1)</p>	<p>G FRONT RAIL (x1)</p>	<p>H BACK RAIL (x1)</p>
<p>I LEFT HINGE (x1)</p>	<p>J RIGHT HINGE (x1)</p>	<p>K LEGS (x4)</p>	<p>L LONG BOLTS (x4)</p>
<p>N THROW PILLOWS (x2)</p>	<p>O WRENCH (x1)</p>	<p>P ALLEN WRENCH (x1)</p>	<p>Q SHORT BOLTS (x8)</p>
			<p>M CENTER BRACE (x1)</p>
			<p>R NUTS (x8)</p>
			<p>S WASHERS (x8)</p>



Please be sure to dispose of all packaging materials in an environmentally conscious way whenever possible. Check with your local authorities for recycling information and locations.

B. ASSEMBLY OVERVIEW



1 LEGS

Insert a LONG BOLT through each LEG then into the holes on the bottom of each ARM. Tighten securely.

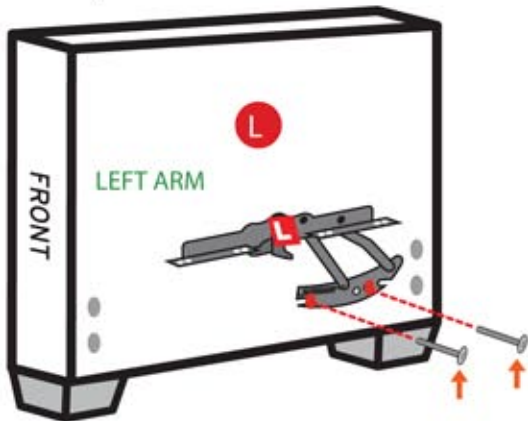
Make sure the angled side of each LEG is facing the inside of the ARM when the bolts are fully tightened.

2 LEFT HINGE

On the LEFT ARM remove the bottom two pre-installed short bolts. (as marked by arrows here)

Line up the LEFT HINGE (indicated by "L") with the corresponding holes as shown.

Re-insert back the 2 short bolts and tighten securely.



CAUTION:
Tighten all bolts securely by hand using the included wrench.

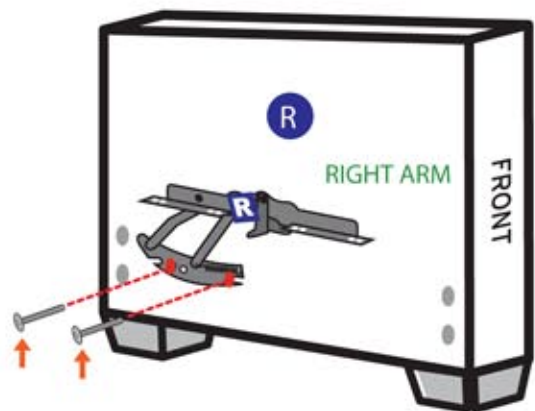


3 RIGHT HINGE

On the RIGHT ARM remove the bottom two pre-installed short bolts. (as marked by arrows here)

Line up the RIGHT HINGE (indicated by "R") with the corresponding holes as shown.

Re-insert back the 2 short bolts and tighten securely.



CAUTION:
Tighten all bolts securely by hand using the included wrench.



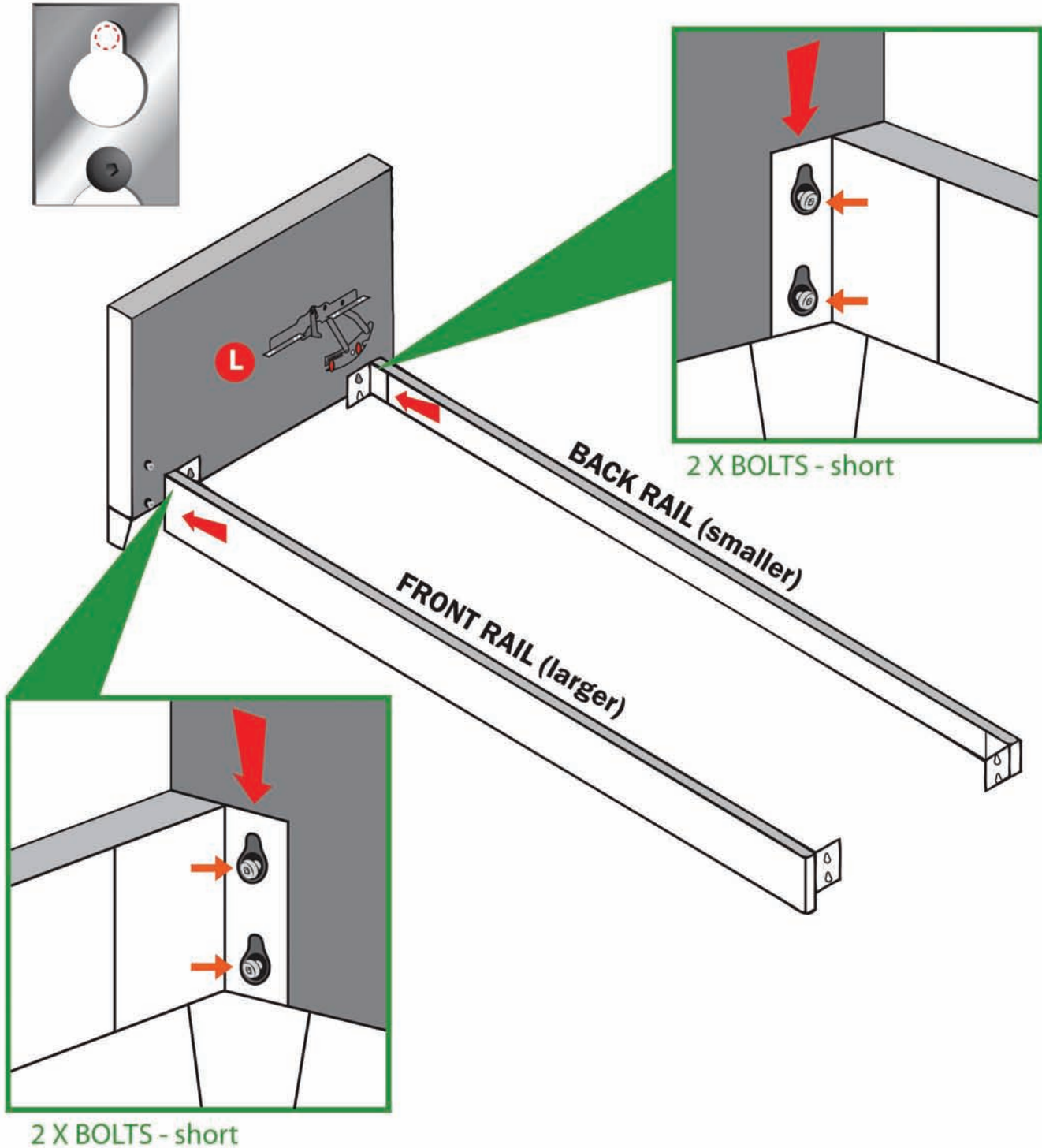
4 LEFT ARM RAIL ATTACHMENT

Loosen the pre-installed short bolts (as marked by arrows here) from the LEFT ARM approximately by half a inch.

Slide the "keyhole" brackets on the ends of the FRONT and BACK RAILS over the bolts and then push downward to fit the bolt into the smaller section of the "keyhole".

DO NOT TIGHTEN THE BOLTS COMPLETELY AT THIS POINT.

Make certain each of the four bolts is threaded through the smaller section of the "Keyhole".



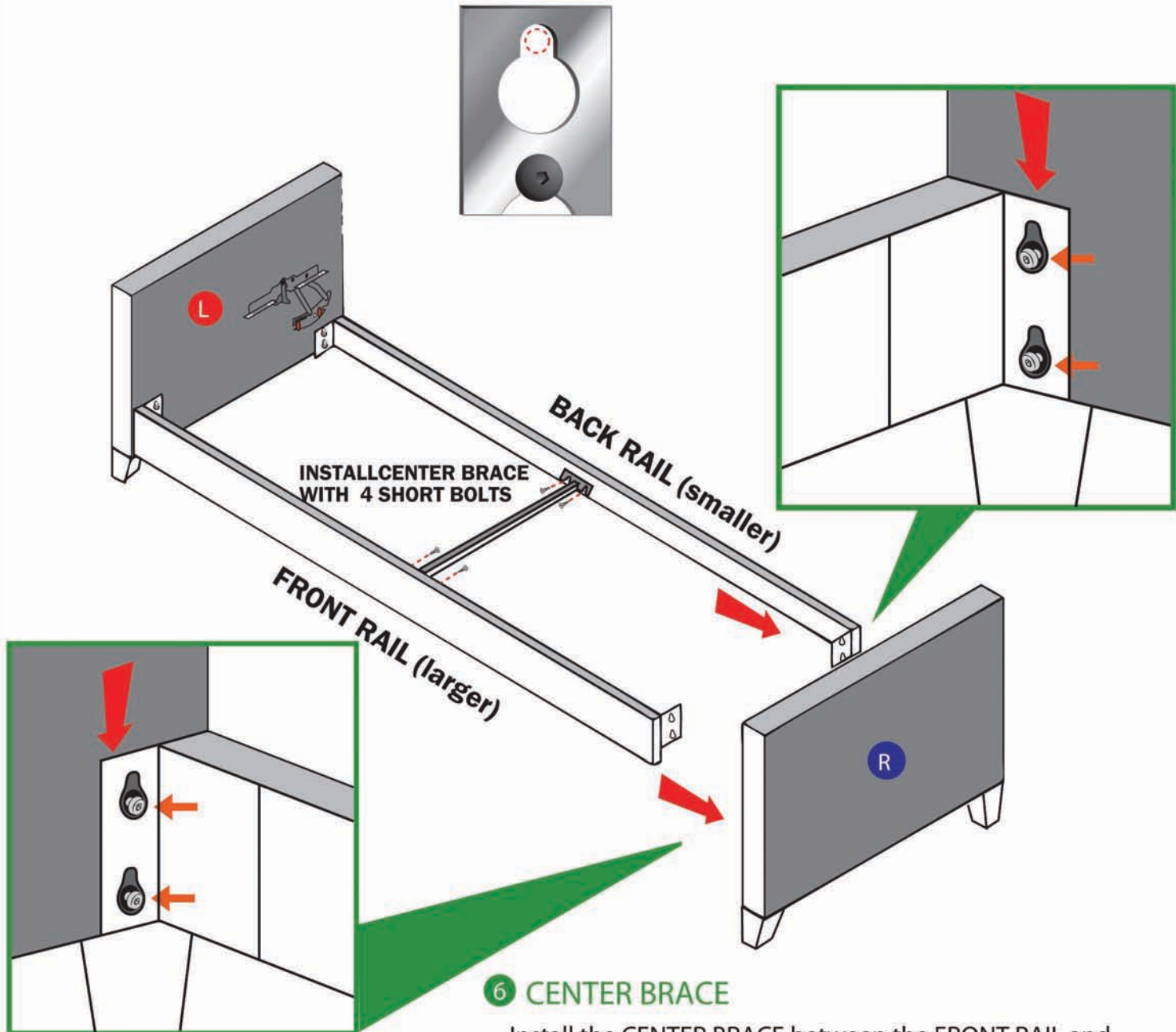
5 RIGHT ARM RAIL ATTACHMENT

Loosen the pre-installed short bolts (as marked by arrows here) from the RIGHT ARM approximately by half a inch.

Slide the "keyhole" brackets on the ends of the FRONT and BACK RAILS over the bolts and then push downward to fit the bolt into the smaller section of the "keyhole".

DO NOT TIGHTEN THE BOLTS COMPLETELY AT THIS POINT.

Make certain each of the four bolts is threaded through the smaller section of the "Keyhole".



6 CENTER BRACE

Install the CENTER BRACE between the FRONT RAIL and BACK RAIL by removing the 4 short bolts, posting the BRACE and re-inserting the short bolts.

AT THIS POINT YOU MAY NOW TIGHTEN ALL OF THE BOLTS.

7 SEAT DECK ASSEMBLY

Place the SEAT DECK on the HINGES. Align the SEAT DECK section bolt holes with the bolt holes on the front mounting bracket component of the HINGE (as shown below).

Use the supplied bolts, Washers and nuts to install the seat. See illustration below on which of the mounting holes to use.

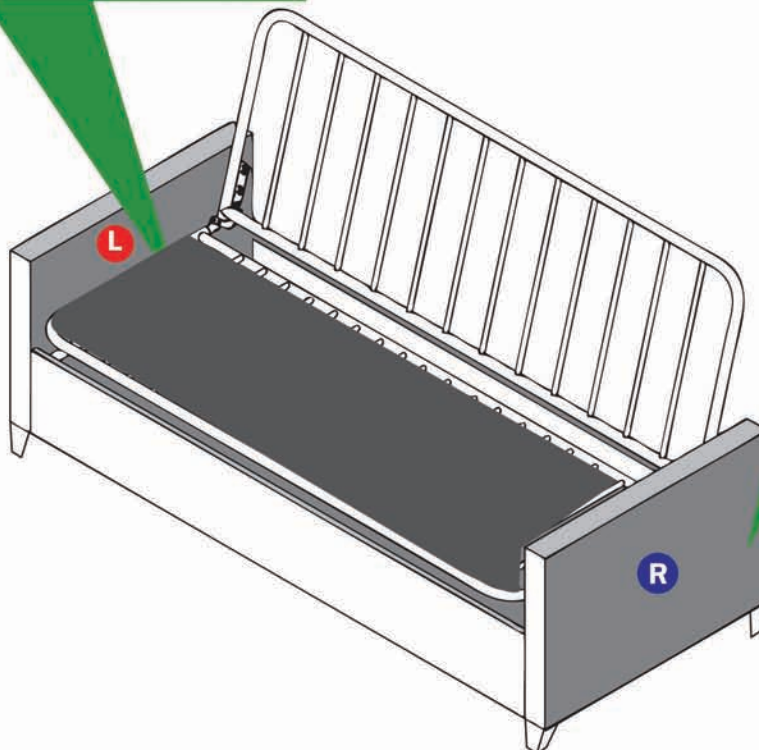
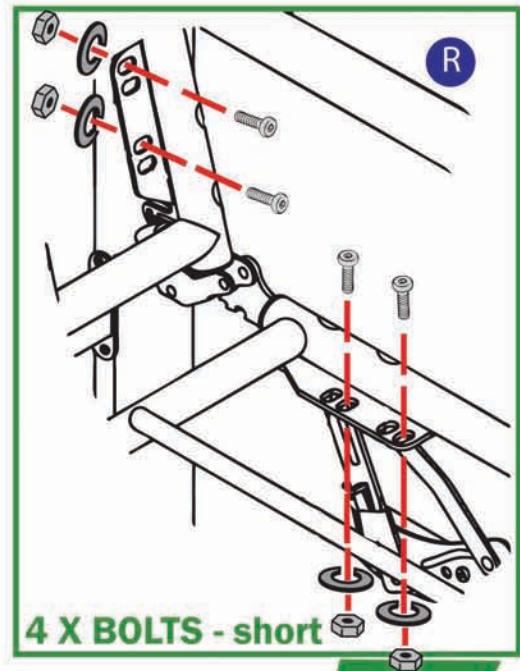
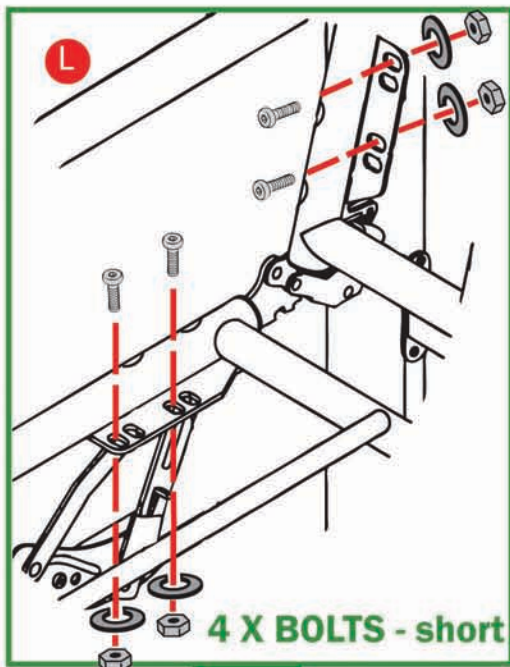
MAKE SURE ALL 4 BOLTS ON THE SEAT DECK ARE SECURELY TIGHTENED AND ALIGNED

BACK DECK ASSEMBLY

Place the BACK DECK on the HINGES. Align the BACK DECK section bolt holes with the bolt holes on the rear mounting bracket component of the HINGE (as shown below).

Use the supplied bolts, Washers and nuts to install the seat. See illustration below on which of the mounting holes to use.

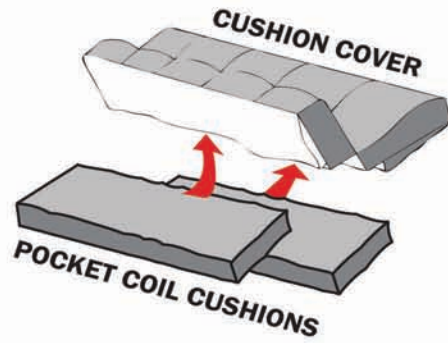
MAKE SURE ALL 4 BOLTS ON THE BACK DECK ARE SECURELY TIGHTENED AND ALIGNED



C. PLACE CUSHIONS

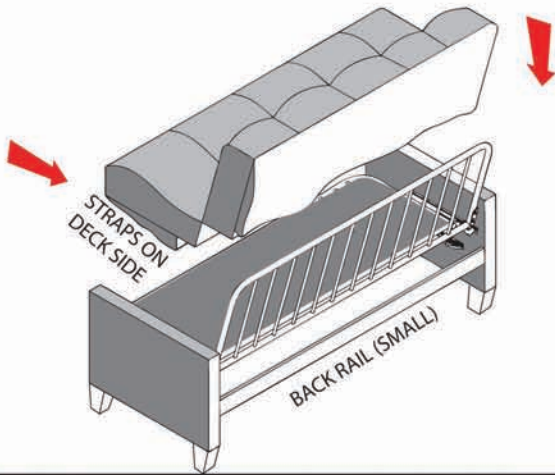
8 PLACE POCKET COIL CUSHIONS

Place the 2 POCKET COIL CUSHIONS into the CUSHION COVER



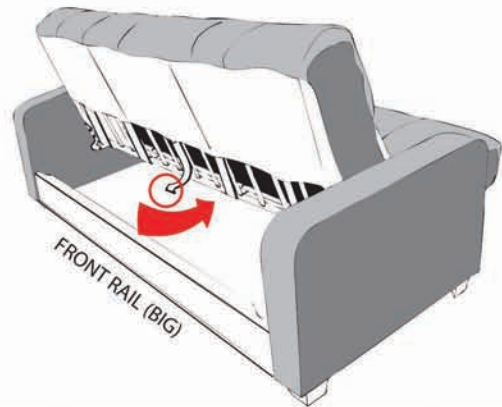
9 PLACE ASSEMBLED COIL SPRING CUSHION

Slide the assembled COIL-SPRING CUSHION onto the SEAT/BACK ASSEMBLY with straps on the SEAT DECK side



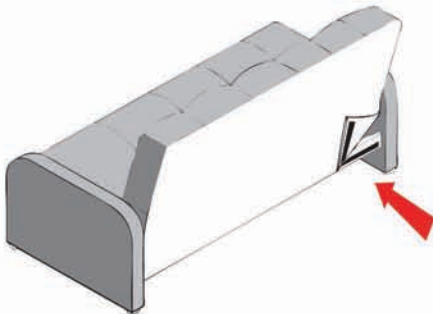
10 ATTACH STRAPS

Lift the SEAT DECK and attach the straps from the SEAT CUSHION COVER onto the SEAT DECK fabric cover.



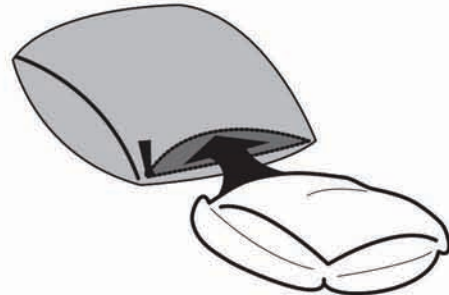
11 ATTACH HOOK AND LOOP

Attach the hook & loop strips on the BACK CUSHION COVER onto the hook & loop strips on the BACK RAIL.



12 FILL PILLOWS

Unzip the pillow covers and insert the included pillow filler padding.

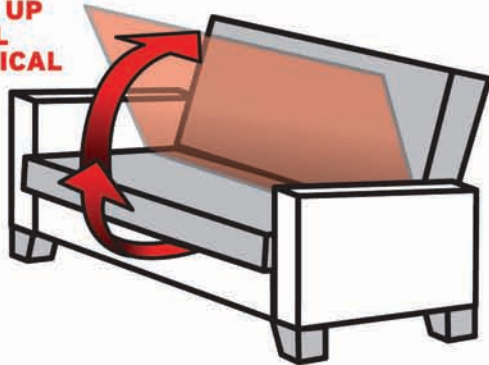


ON SOME MODELS: THE ARM PILLOWS NEED TO BE UNZIPPED AND FILLED USING THE INCLUDED PADDING INSERTS.

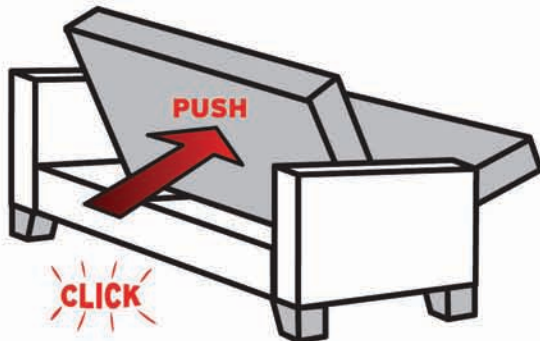
CAUTION: MAKE CERTAIN ALL BOLTS AND COMPONENTS ARE TIGHTENED COMPLETELY BEFORE OPERATING THE HINGE MECHANISM OR SITTING OR LAYING ON THE ASSEMBLED FURNITURE.

CONVERT COUCH TO BED

**PULL UP
UNTIL
VERTICAL**

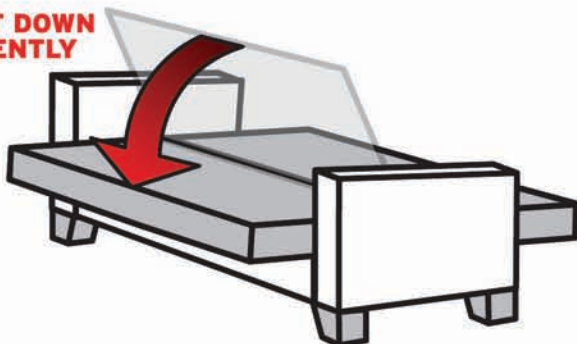


1. PULL UP ON SEAT DECK UNTIL IT STOPS IN A VERTICAL POSITION. THE BACK DECK WILL NOW BE LAYING FLAT.



2. PUSH AGAINST VERTICAL SEAT DECK UNTIL IT CLICKS (1 or 2 times) AND UNLOCKS.

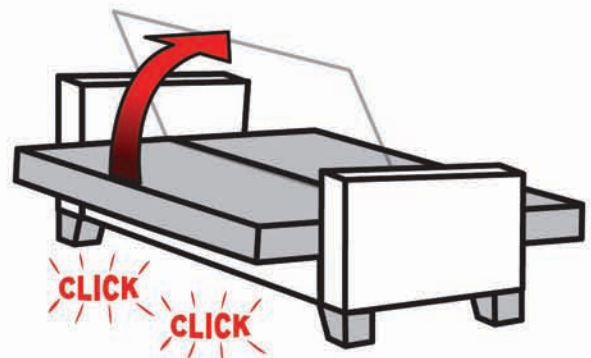
**LET DOWN
GENTLY**



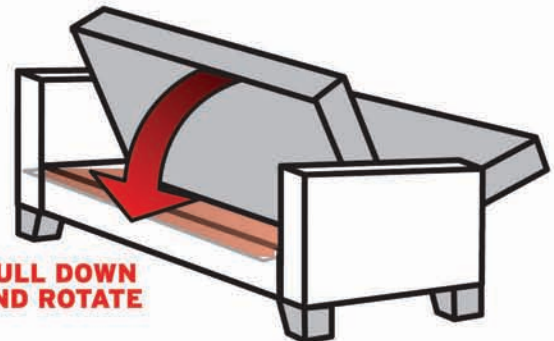
3. GENTLY LET THE UNLOCKED VERTICAL SEAT DECK DOWN SO IT IS LAYING FLAT.

READY TO SLEEP !

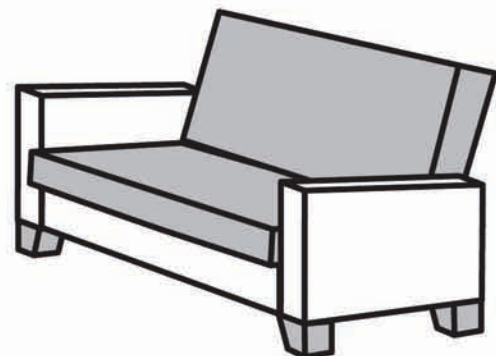
CONVERT BED TO COUCH



1. PULL UP ON SEAT DECK UNTIL IT CLICKS TWICE AND LOCKS VERTICALLY. (STOP AT ONE CLICK IF YOU WANT THE BACK DECK TO BE MORE RECLINED)



2. PULL DOWNWARDS ON SEAT DECK UNTIL IT IS FLAT AND LOCKS INTO SEATED POSITION.



READY TO SIT !

Congratulations! The assembly of your furniture is now complete. If you choose to use fabric and upholstery protection (not included), test the product on an in conspicuous area of the fabric for color fastness first and follow the manufacturer's instruction for use.

CARE OF YOUR FURNITURE

Periodically tighten all bolts as they may come loose if they are not tightened properly and completely. Vacuum cushions and mattress covers regularly. Clean any stains or spots with mild soap and cold water.

Parts - 1 Year Warranty: The furniture is warranted against defects in workmanship and materials. Items covered would be seam slippage, frame structural integrity, fit and finish of parts. Items not covered would be product abused by the user, normal wear and tear, stains or discoloration due to use, damage in any transportation. Softening of foam is considered normal wear and tear and is not covered by warranty. Warranty is for PARTS ONLY and does not include transportation and labor costs associated with any warranty claim.

DO NOT RETURN PRODUCT TO THE RETAIL STORE

Call Customer Support: 866-238-0531

Mon-Fri 8:00am - 4:30pm CST

customerservice@handyliving.com