

Assembly Instructions

Convert-a-Couch®

Watch the assembly video at www.handyliving.com



HANDY LIVING®

Your couch comes packaged in one box. Carefully remove all of the components from the packaging and set aside for assembly.

Package Contents

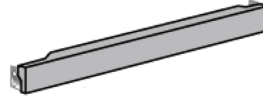
Ⓐ 1 x Seat Back



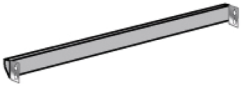
Ⓑ 1 x Seat Deck



Ⓒ 1 x Front Rail



Ⓓ 1 x Back Rail



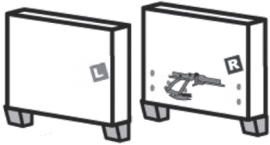
Ⓔ 2 x Coil Spring Cushions



Ⓕ 1 x Cushion Cover



Ⓖ 2 x Arms



Ⓗ 1 x Center Brace (located with the Coil Spring Cushions)

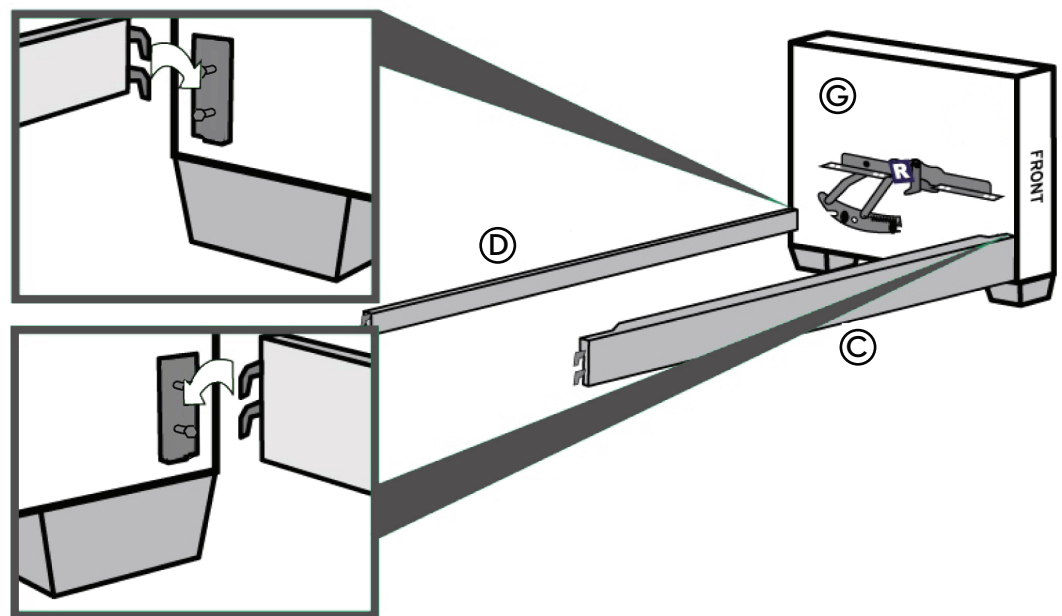
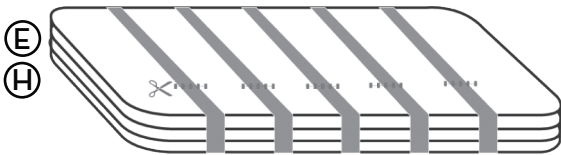


CAUTION:
Tighten all components securely before use. Failure to do so may result in personal injury.

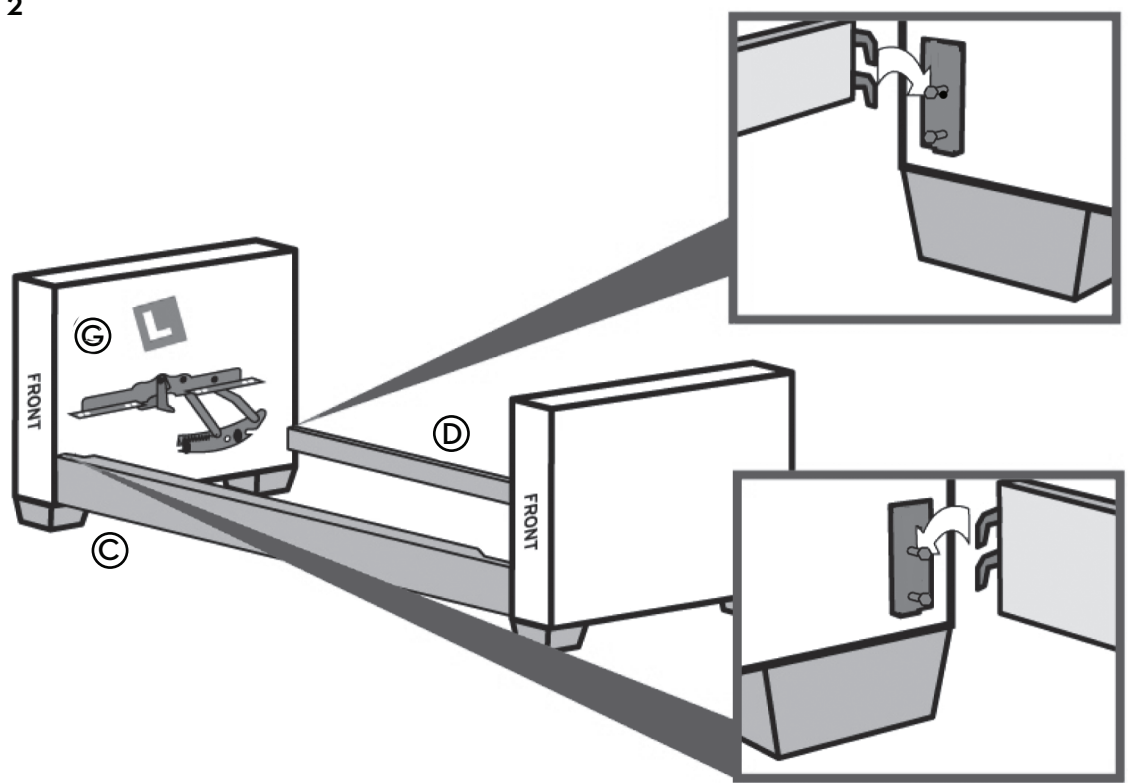
DO NOT use any sharp objects to open plastic wrapped components as damage to product or components may result.

Step 1

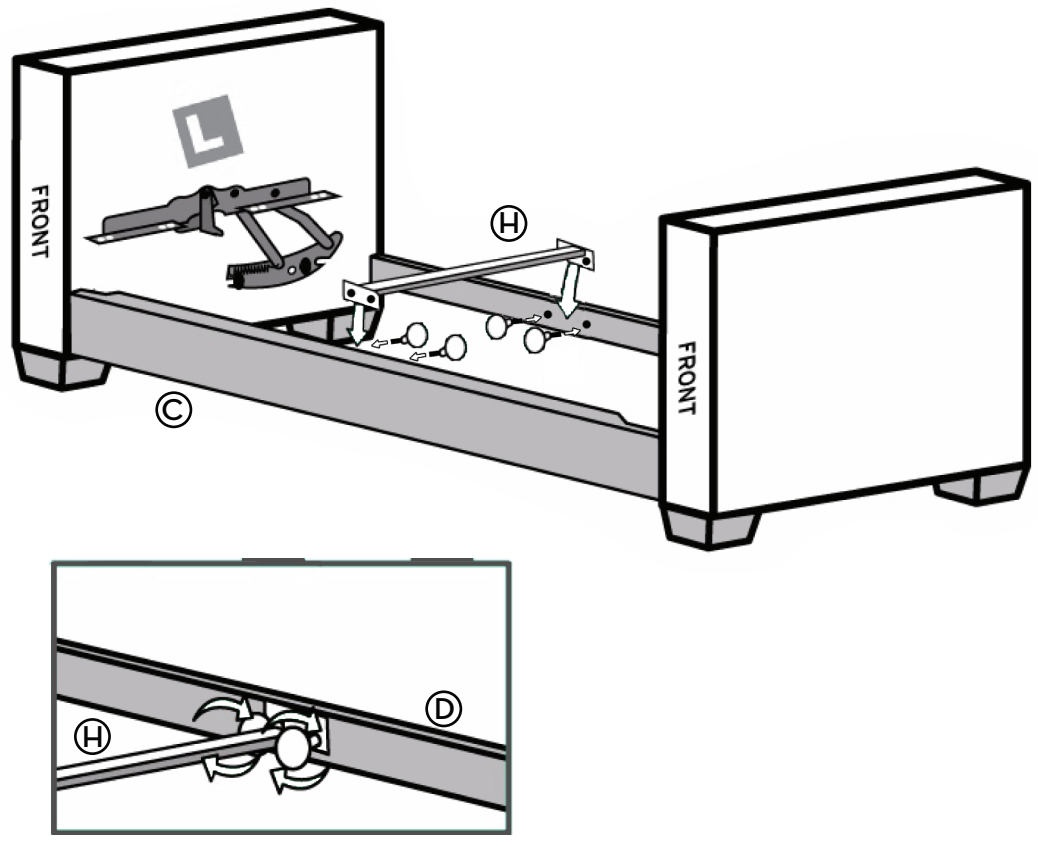
Carefully cut the packing straps using scissors.



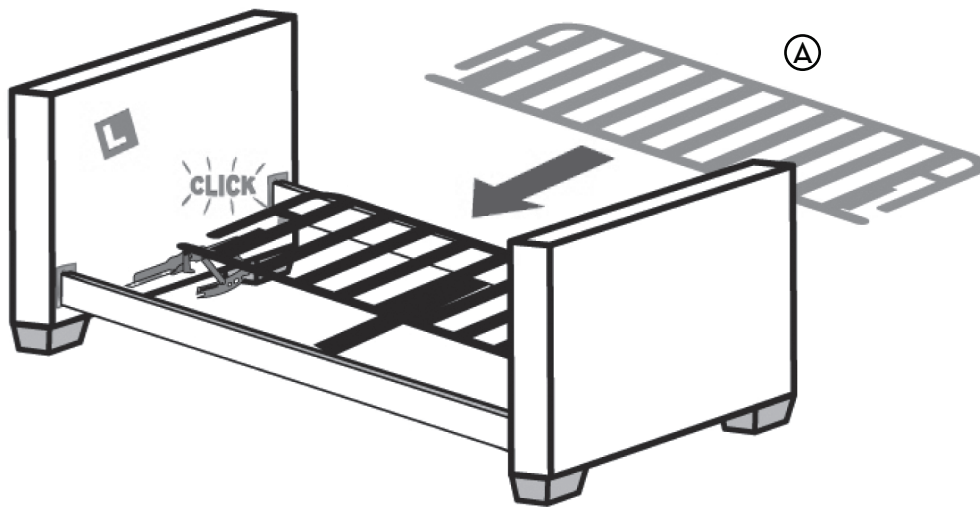
Step 2



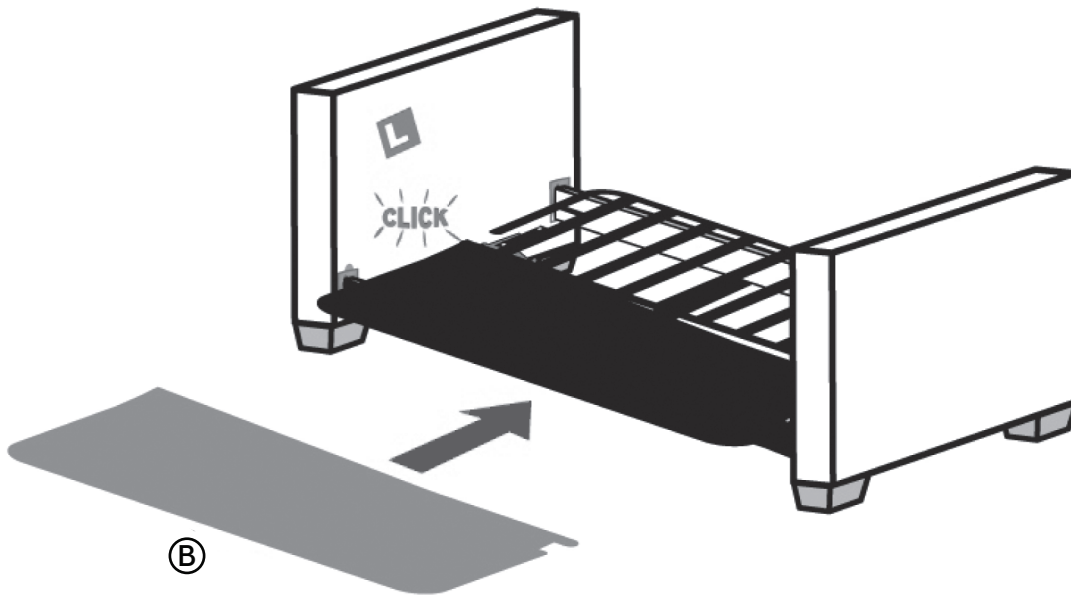
Step 3



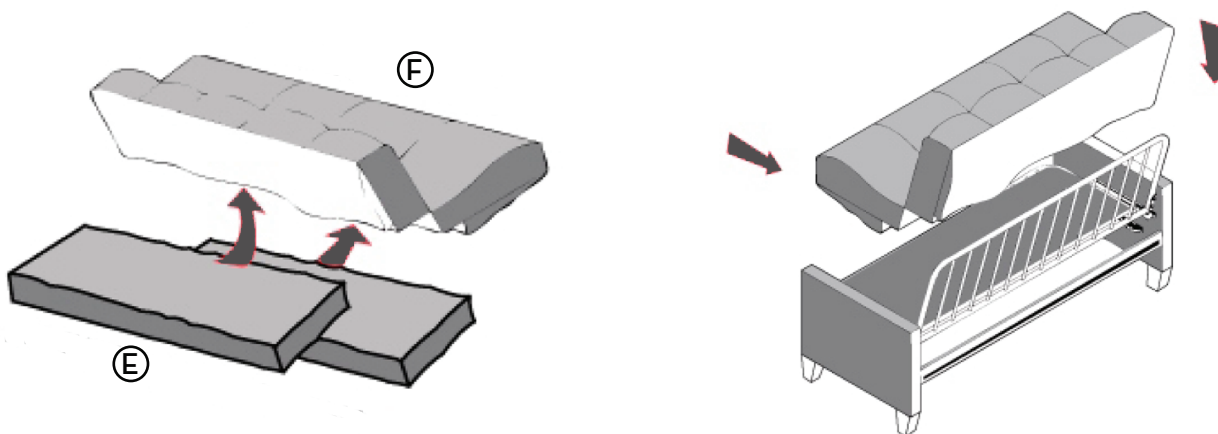
Step 4



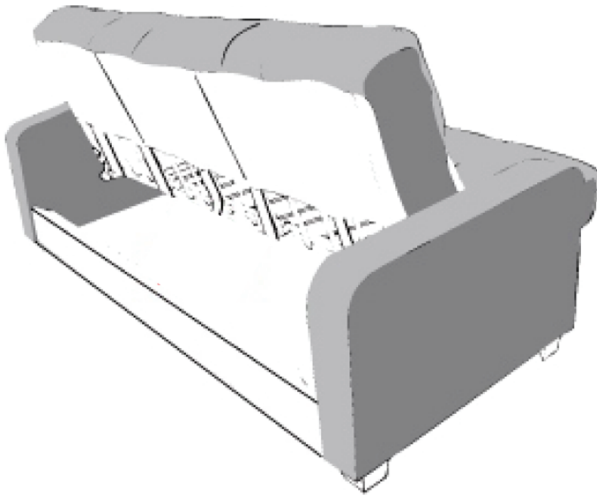
Step 5



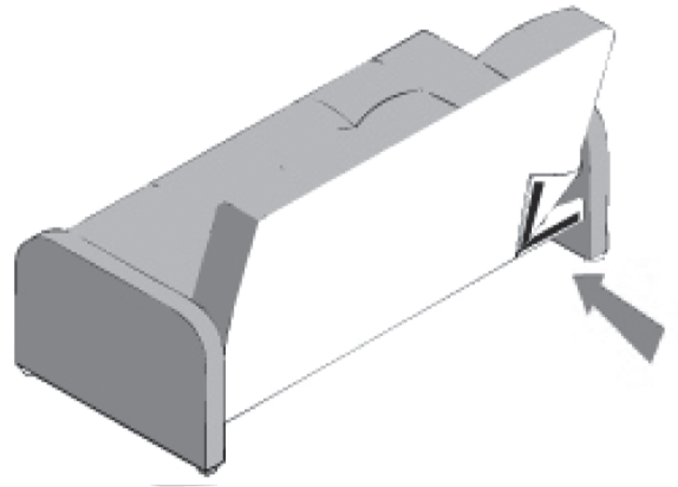
Step 6



Step 7

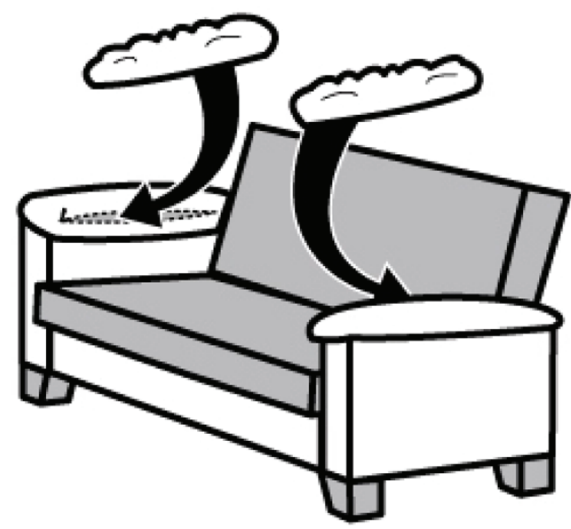
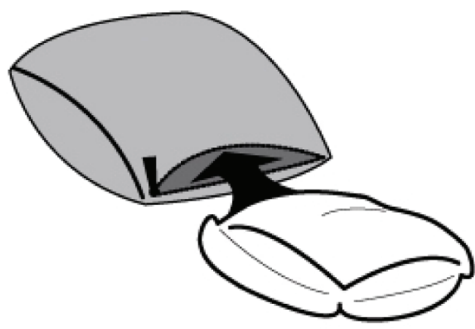


Step 8

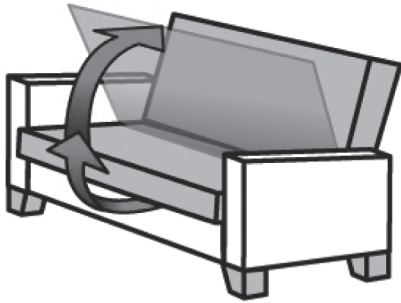


Step 9

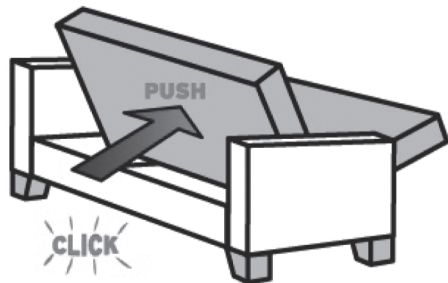
If applicable.



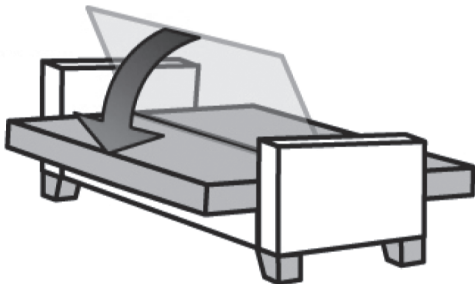
Convert the Couch to a Bed



Pull up on the Seat Deck until it stops in a vertical position. The Backrest will now be laying flat.

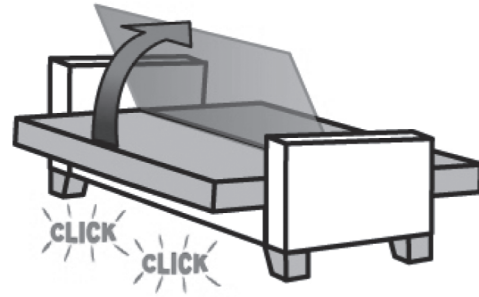


Push against the vertical seat deck until it clicks (1 or 2 times) and unlocks.

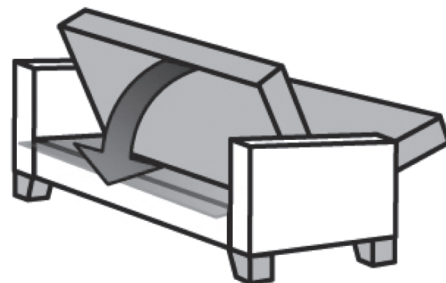


Gently let the unlocked vertical seat deck down so it is laying flat. It is now ready to sleep!

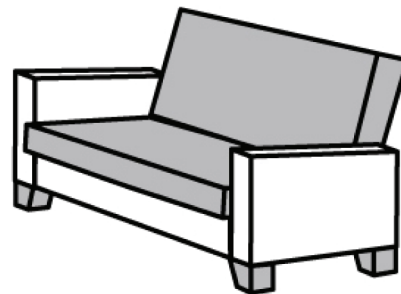
Convert the Bed to a Couch



Pull up on the Seat Deck until it clicks twice and locks vertically. Stop at one click if you want the seat to be more reclined.



Pull downwards on the seat deck until it is flat and locks into the seated position.



Ready to sit!