

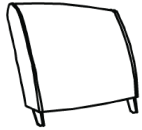
Assembly Instructions

Chair

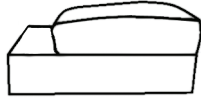
Your chair comes packaged in one box. Carefully remove all of the components from the packaging and set aside for assembly.

Package Contents

Ⓐ 1 x Seat Back



Ⓑ 1 x Seat



Ⓒ 4 x Legs



Ⓓ 4 x Washers

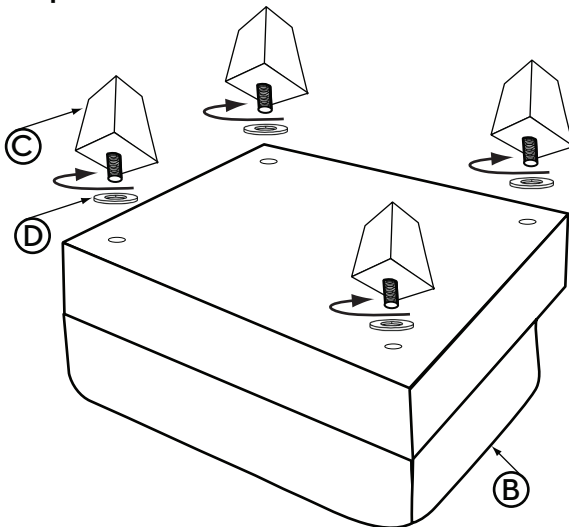


HANDY
LIVING®

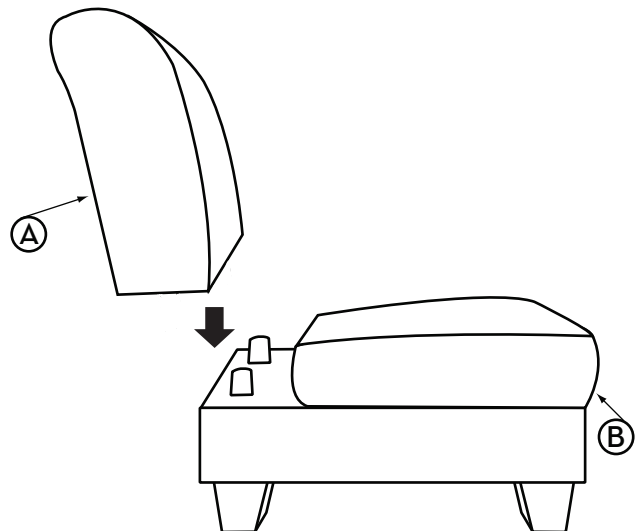
CAUTION:
Tighten all components
securely before use. Failure
to do so may result in
personal injury.

DO NOT use any sharp
objects to open plastic
wrapped components as
damage to product or
components may result.

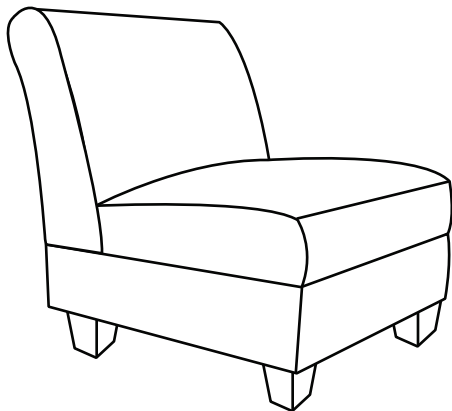
Step 1



Step 2



Step 3



Care for your furniture. Periodically tighten all legs.
Vacuum cushions regularly.

Do not return product to retail store.
Call Customer Support: 866-238-0531
Mon-Fri 8:00am - 4:30pm CST
customerservice@handyliving.com

Updated 2.19.2014

Parts - 1 Year Warranty: The furniture is warranted against defects in workmanship and materials. Items covered would be seam slippage, frame structural integrity, fit and finish of parts. Items not covered would be product abused by the user, normal wear and tear, stains or discoloration due to use, damage in any transportation. Softening of foam is considered normal wear and tear and is not covered by warranty. Warranty is for PARTS ONLY and does not include transportation and labor costs associated with any warranty claim.