

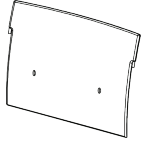
# Outdoor Living Room Set



Your furniture comes packaged in one box. Carefully remove all of the components from the packaging and set aside for assembly.

**Package Contents**

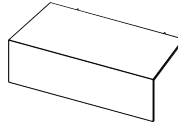
Ⓐ 1 x Sofa Back



Ⓑ 6 x Arms



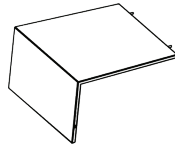
Ⓒ 1 x Sofa Seat



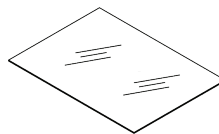
Ⓓ 2 x Chair Backs



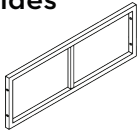
Ⓔ 2 x Chair Seats



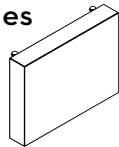
Ⓕ 1 x Table Top



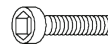
Ⓖ 2 x Long Table Sides



Ⓗ 2 x Short Table Sides



Ⓘ 14 x 30mm Bolts



Ⓙ 12 x 16mm Bolts



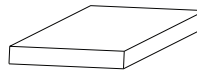
Ⓚ 26 x Washers



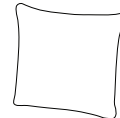
Ⓛ 1 x Allen Wrench



Ⓜ 4 x Seat Cushions



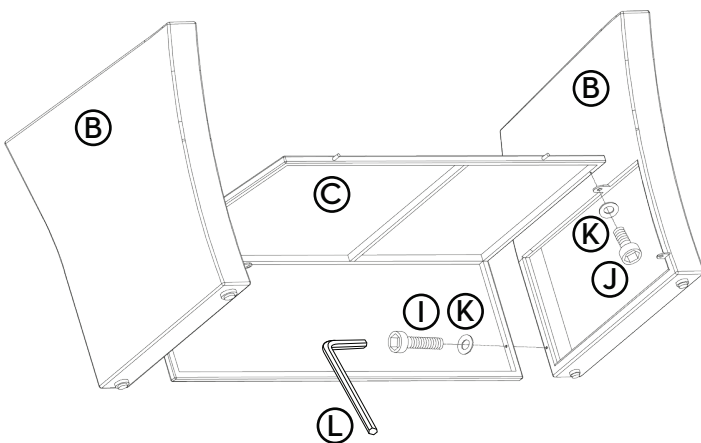
Ⓝ 4 x Back Cushions



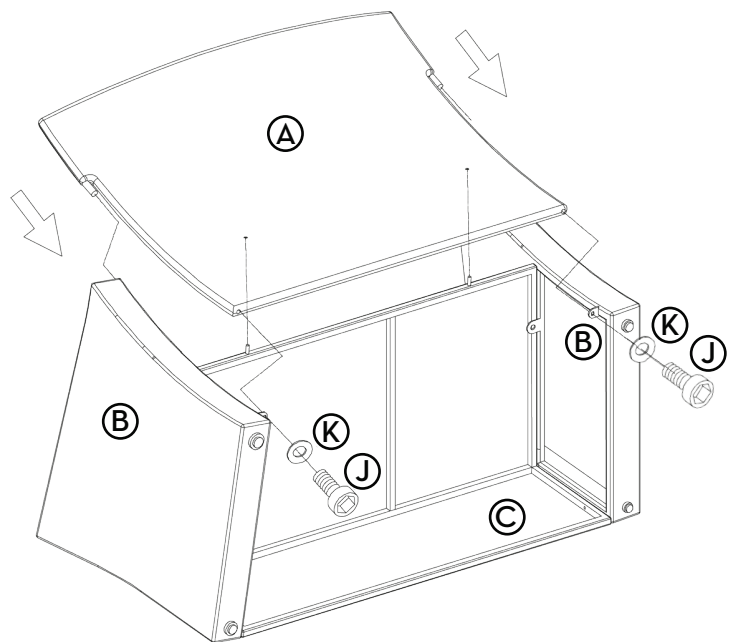
**CAUTION:**  
Tighten all components securely before use. Failure to do so may result in personal injury.

**DO NOT** use any sharp objects to open plastic wrapped components as damage to product or components may result.

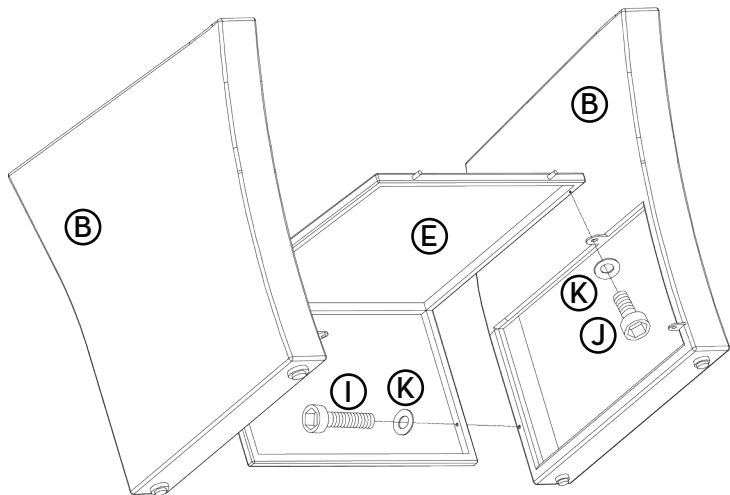
**Step 1**



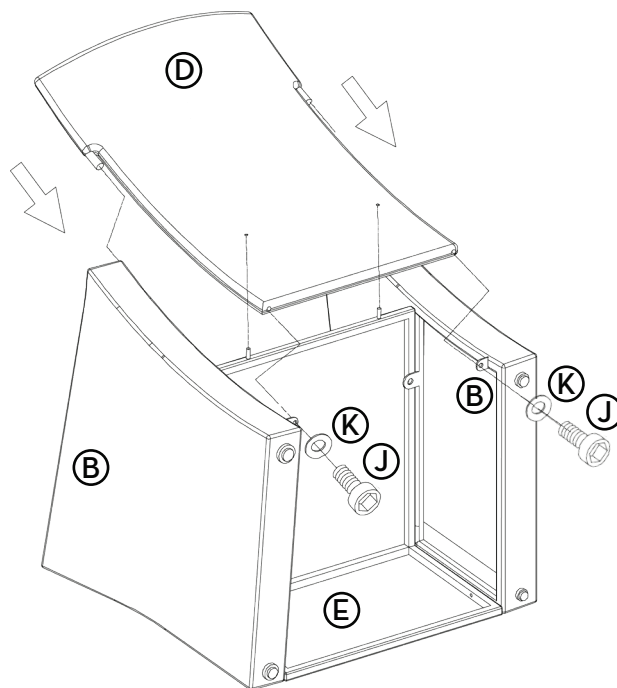
**Step 2**



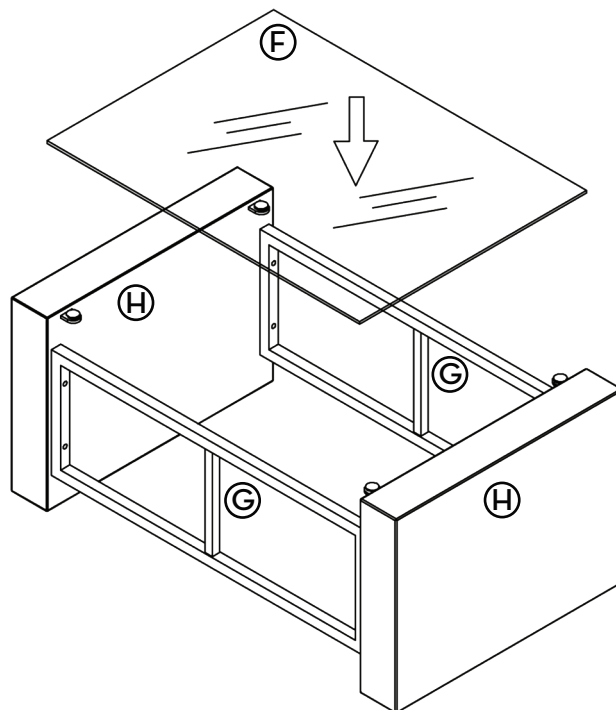
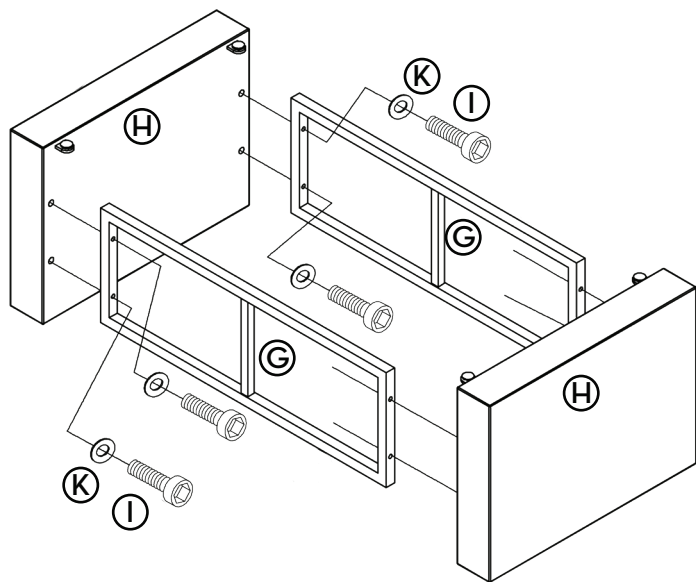
### Step 3



### Step 4



### Step 5



Care for your furniture. Periodically tighten all bolts using the included wrench. Vacuum cushions regularly. Clean any stains or spots with mild soap and cold water.

Do not return product to retail store.

Call Customer Support: 866-238-0531

Mon-Fri 8:00am - 4:30pm CST

customerservice@handyliving.com

Updated 5.8.2013

Parts - 1 Year Warranty: The furniture is warranted against defects in workmanship and materials. Items covered would be seam slippage, frame structural integrity, fit and finish of parts. Items not covered would be product abused by the user, normal wear and tear, stains or discoloration due to use, damage in any transportation. Softening of foam is considered normal wear and tear and is not covered by warranty. Warranty is for PARTS ONLY and does not include transportation and labor costs associated with any warranty claim.