



IF PARTS ARE MISSING AND OR DEFECTIVE, IF INSTRUCTIONS ARE NOT CLEAR
OR IF YOU ARE EXPERIENCING PROBLEMS ASSEMBLING OUR PRODUCT.

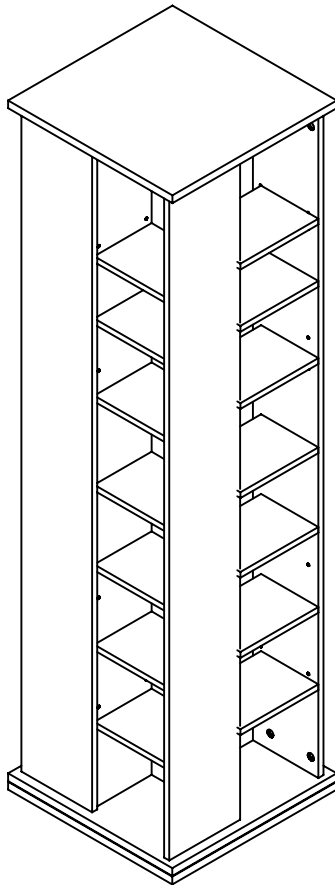
**BEFORE YOU RETURN THE PRODUCT TO THE STORE,
PLEASE CALL US TOLL FREE FOR CUSTOMER SERVICE ASSISTANCE**



(888) 777-8250

OR SEND US EMAIL AT

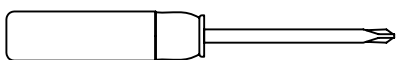
help@spartakent.com

PLEASE HAVE ITEM NUMBER READY, AND A REPRESENTATIVE WILL GLADLY ASSIST YOU

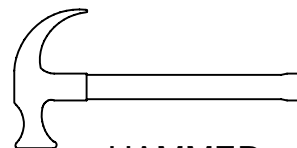


HARDWARE	PART #	DESCRIPTION	QTY
	CCPZXX	CAMLOCK COVER CAP	16
	CAMLT12	CAMLOCK	16
	CAMBT12	BOLT	16
	BM25	BRACKET ANGLE	8
	SPE610BL	EURO SCREW	16
	BPXX54	SHELF SUPPORT	128
	TRNTPL	SWIVEL PLATE	1
	TRNTSC	SWIVEL BOLT	1
	DOWW830	WOOD DOWEL	4

TOOL REQUIRED



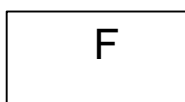
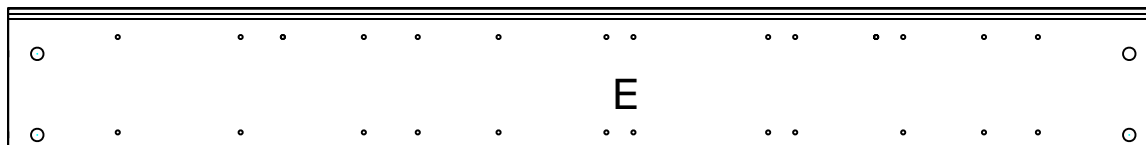
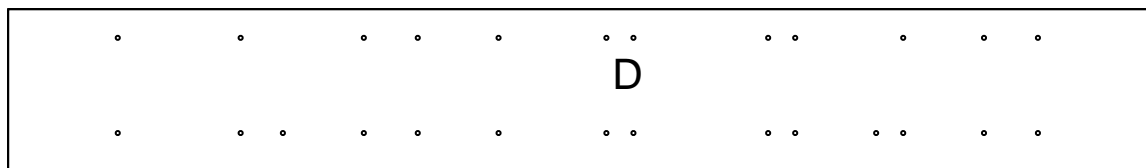
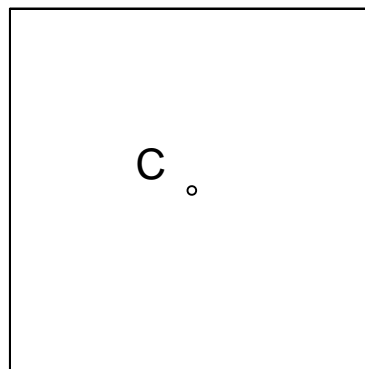
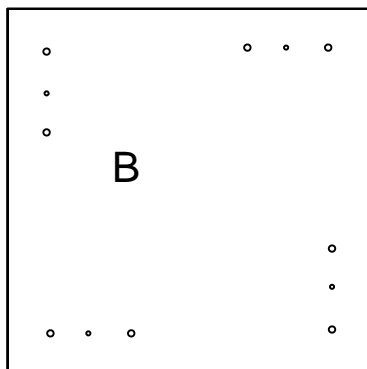
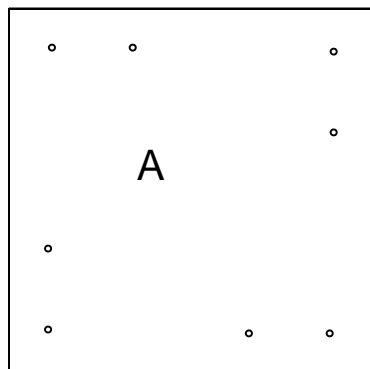
PHILLIPS SCREWDRIVER



HAMMER

PARTS IDENTIFICATION

NOTE: FIRST MAKE SURE THAT YOU HAVE ALL OF THE PARTS LISTED ON THIS SHEET. IF YOU ARE MISSING ANY PIECE(S), DO NOT ASSEMBLE THE UNIT. INSTEAD, CALL OUR CUSTOMER SERVICE NUMBER AT: (888) 777-8250. WE WILL BE HAPPY TO ASSIST YOU.



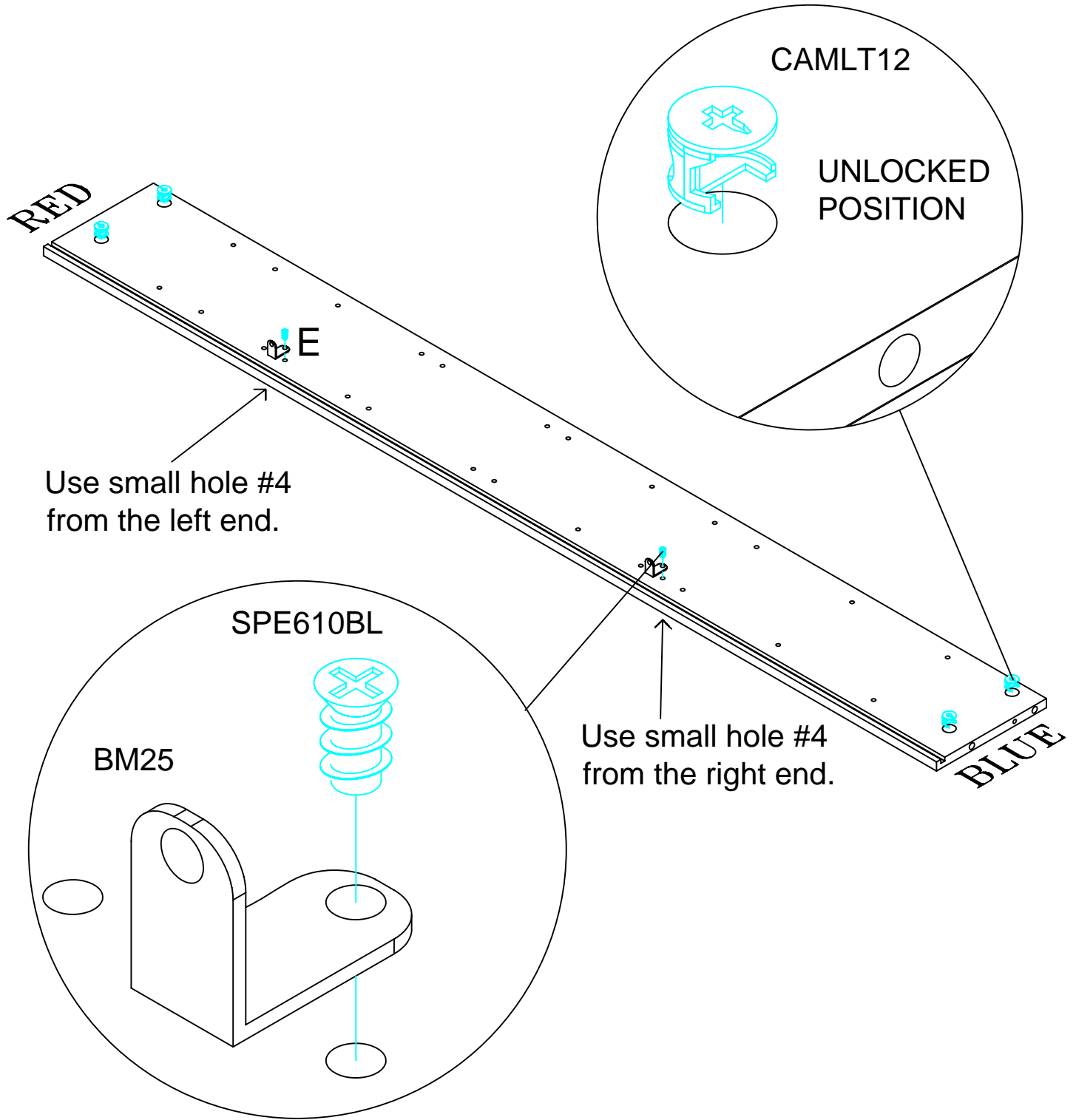
2385A-Top 1pc
2385B-Bottom 1pc
2385C-Base 1pc

2382D-Divider 4pcs
2385E-Face Panel 4pcs
2382F-Adjustable Shelf 32pcs

PARTS ARE USUALLY MARKED ON THE RAW EDGE

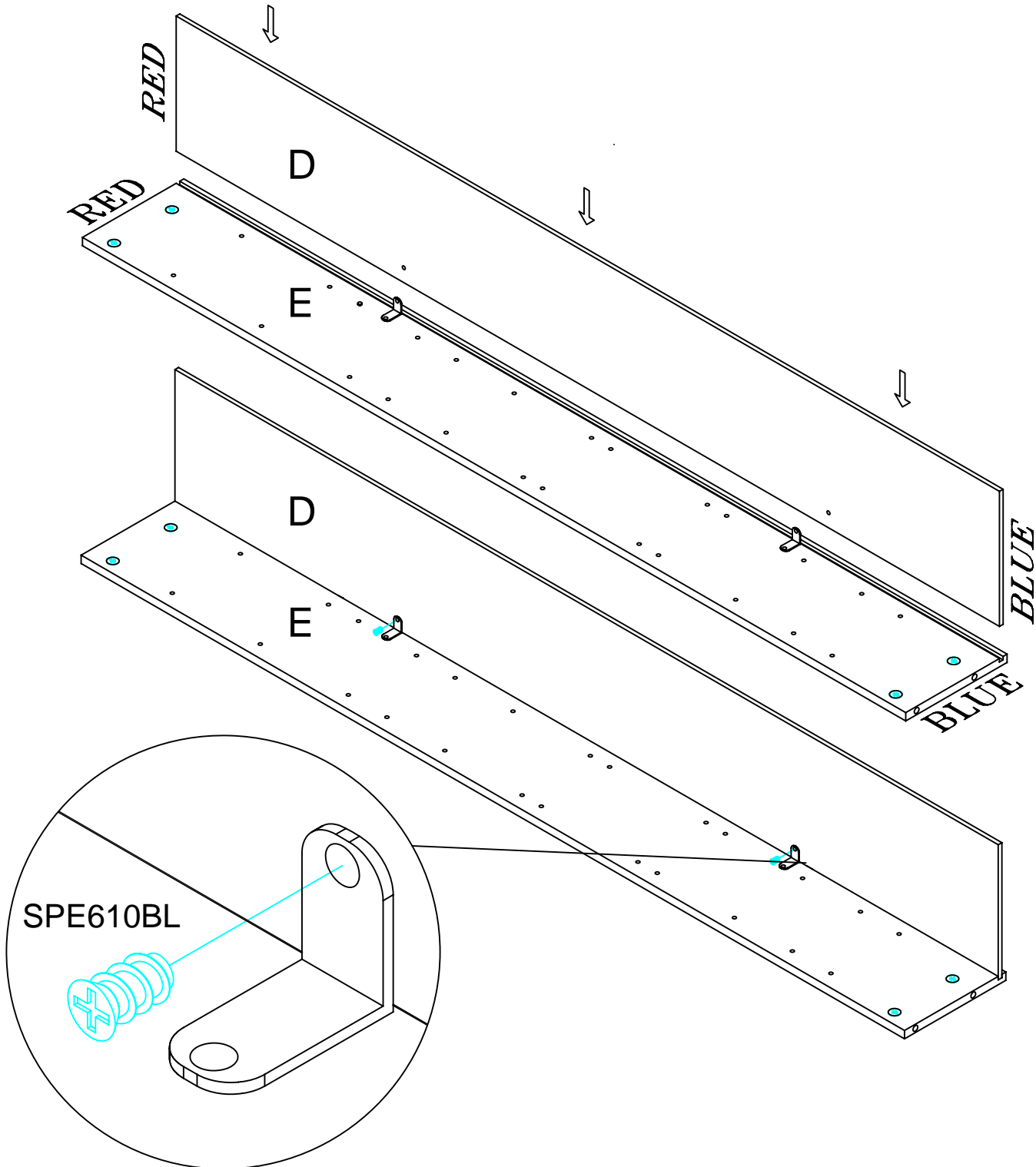
1

Do not tighten screw on the angle bracket all the way in this step. Leave it a bit loose until you attach part D in the next step. Then you will tighten the screws.



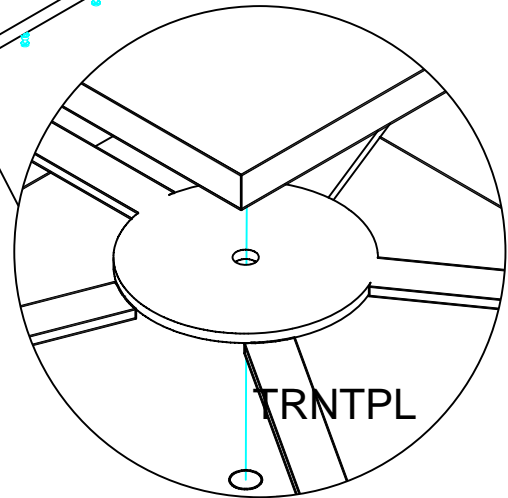
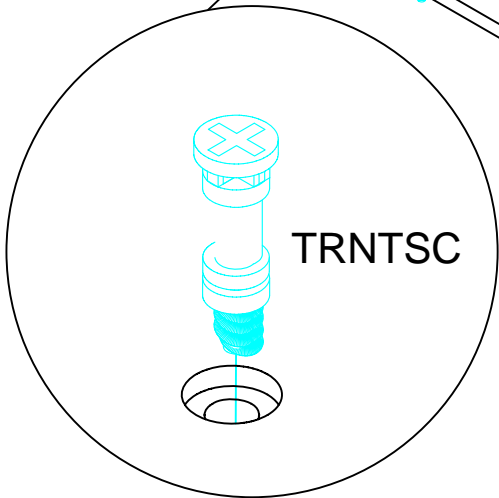
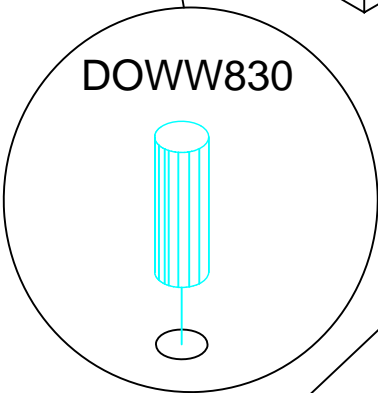
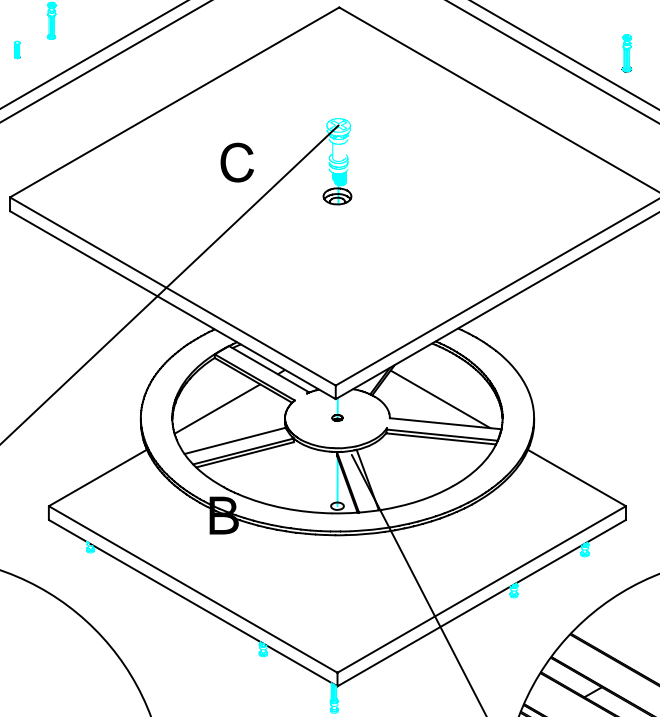
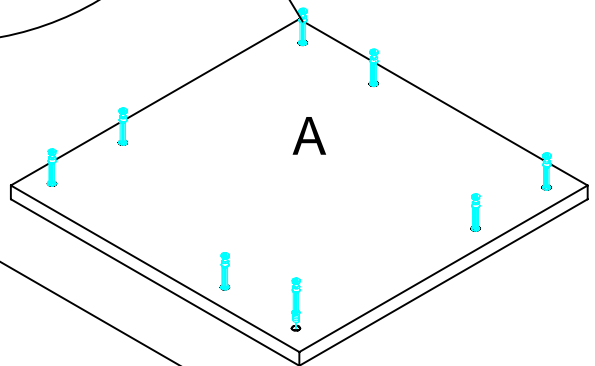
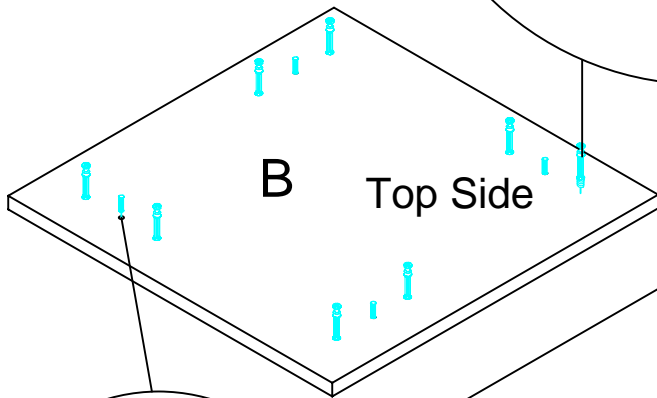
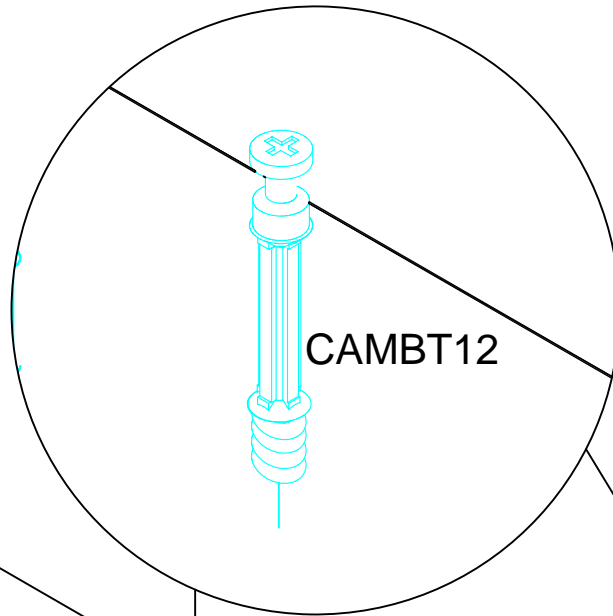
2

Press part (D) in the groove of part (E). The holes in part (D) should face away from part (E), except for holes where brackets are attached, and RED marked end of it should be on the same side as on part (E). Make sure part (E) and (D) are aligned with each other on both ends.



Repeat steps 1 and 2 for the remaining three sets of part (D) & (E)

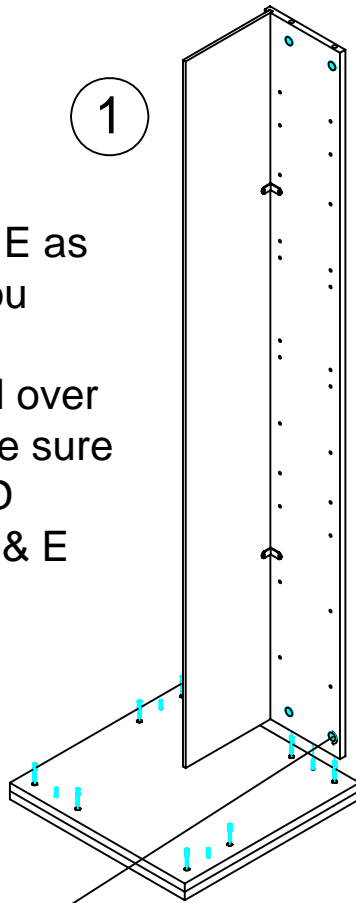
3



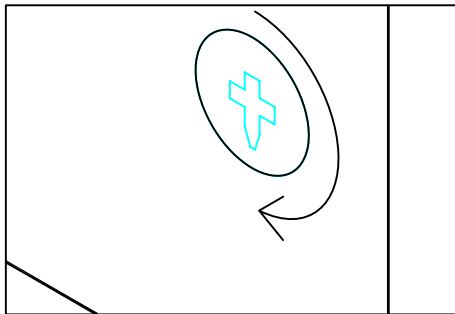
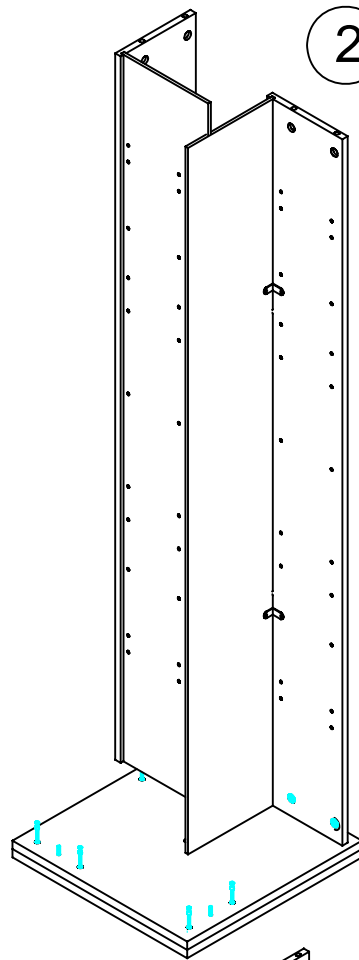
4

Lock camlocks on panels E as you install them before you proceed to next one. Otherwise panels may fall over and cause damage. Make sure you have on top only RED marked ends of panels D & E

1

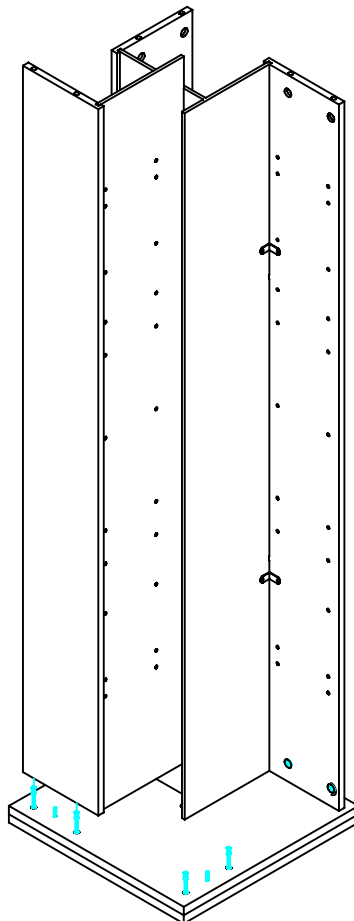


2

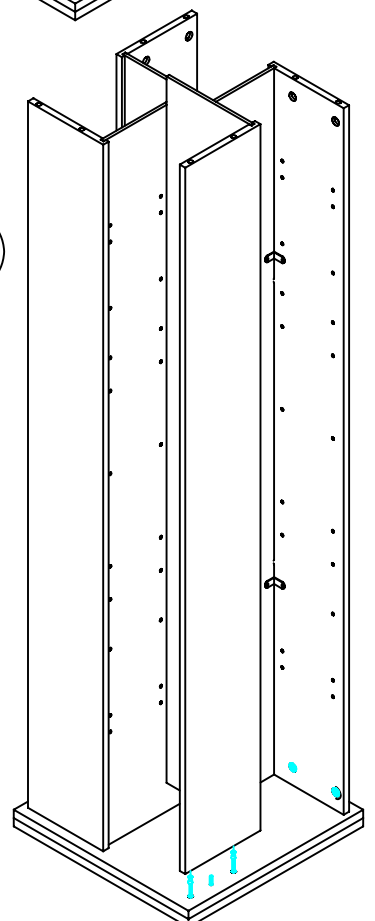


Turn camlocks clockwise using flat (preferred) or phillips screwdriver until full stop (slightly over $\frac{1}{2}$ a turn to lock the bolt)

3

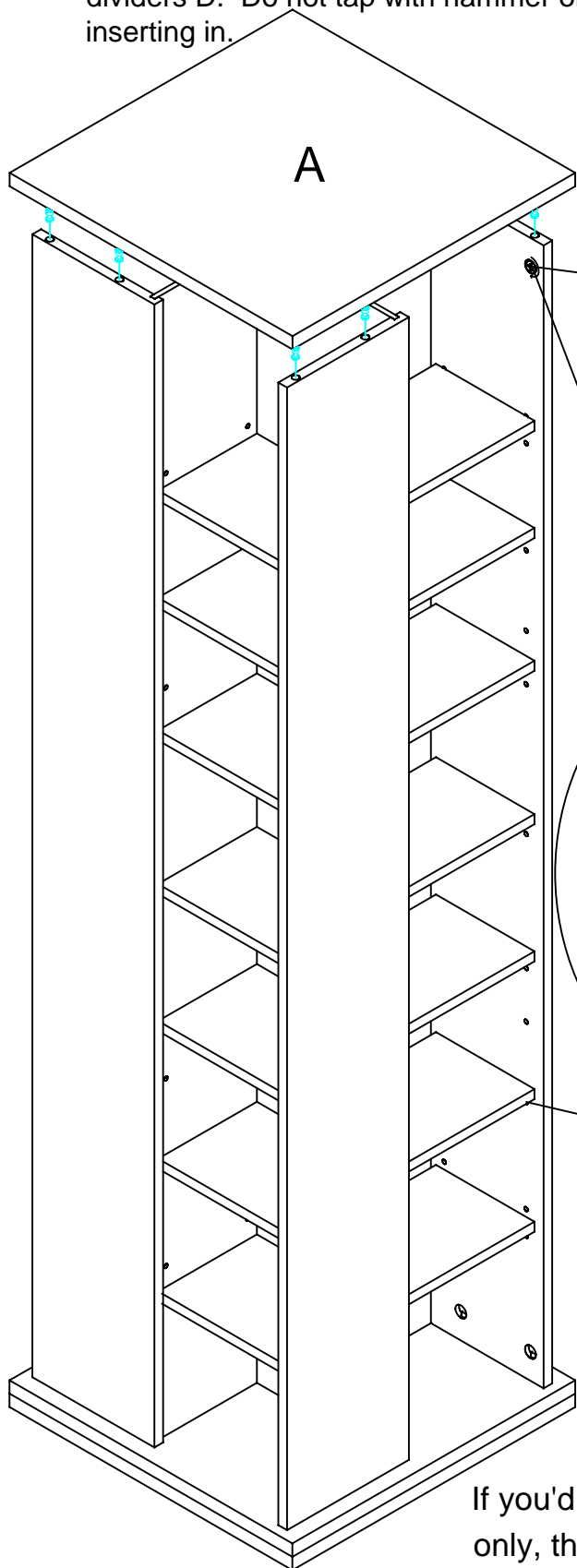


4

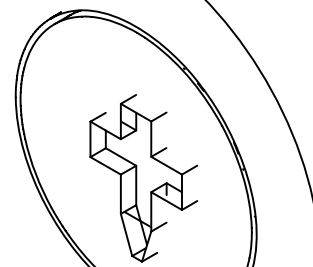


5

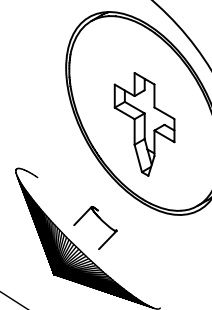
First attach the top (A) and lock it in place. Next install one sneir in the middle using either hole#6 or 7, depending if you re going to use it for CDs or DVDs (see instruction at the botom of this page) on each side to restrict movement of inside dividers D. Do not tap with hammer onto shelf supports, instead twist them when inserting in.



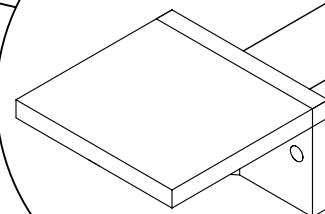
Turn camlocks clockwise until full stop (slightly over 1/2 a turn to lock the bolt)



CCPZXX



BPBL54



If you'd like to optimize the space for CD or DVD/VHS only, then use these holes (counting from the top):
CD: 1 2 3 5 7 8 10 12. Total 9spaces for storage
DVD/VHS: 2 4 6 9 11. Total 6 spaces for storage