

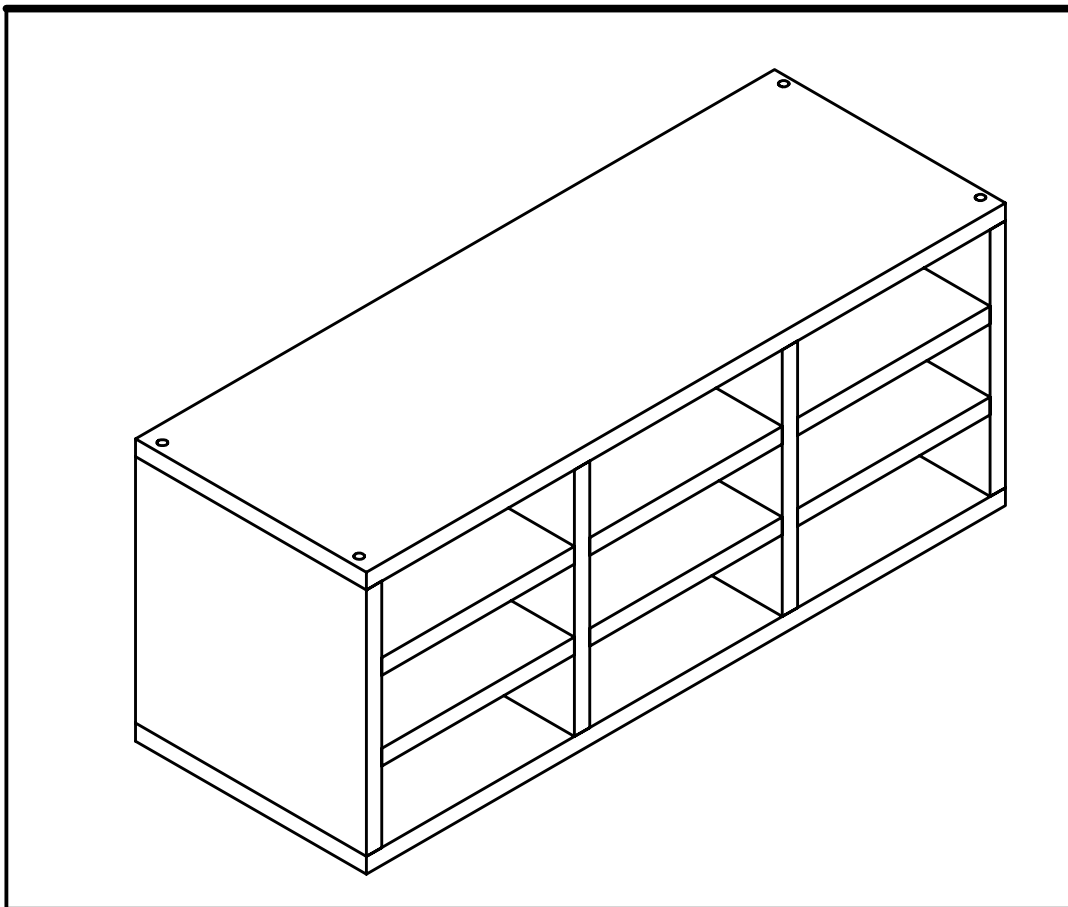


IF PARTS ARE MISSING AND OR DEFECTIVE, IF INSTRUCTIONS ARE NOT CLEAR  
OR IF YOU ARE EXPERIENCING PROBLEMS ASSEMBLING OUR PRODUCT.

**BEFORE YOU RETURN THE PRODUCT TO THE STORE,  
PLEASE CALL US TOLL FREE FOR CUSTOMER SERVICE ASSISTANCE  
(888) 777-8250**

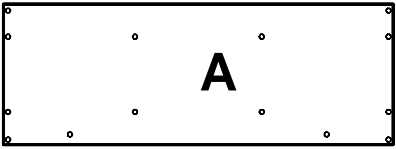
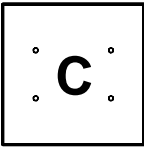
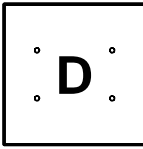

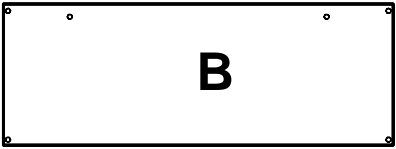
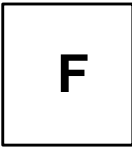

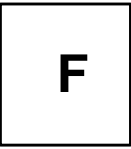
**OR SEND US EMAIL AT  
help@spartakent.com**

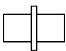
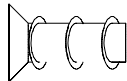
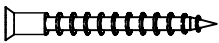
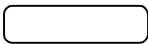
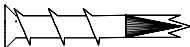


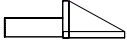
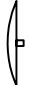

PLEASE HAVE ITEM NUMBER READY, AND A REPRESENTATIVE WILL GLADLY ASSIST YOU



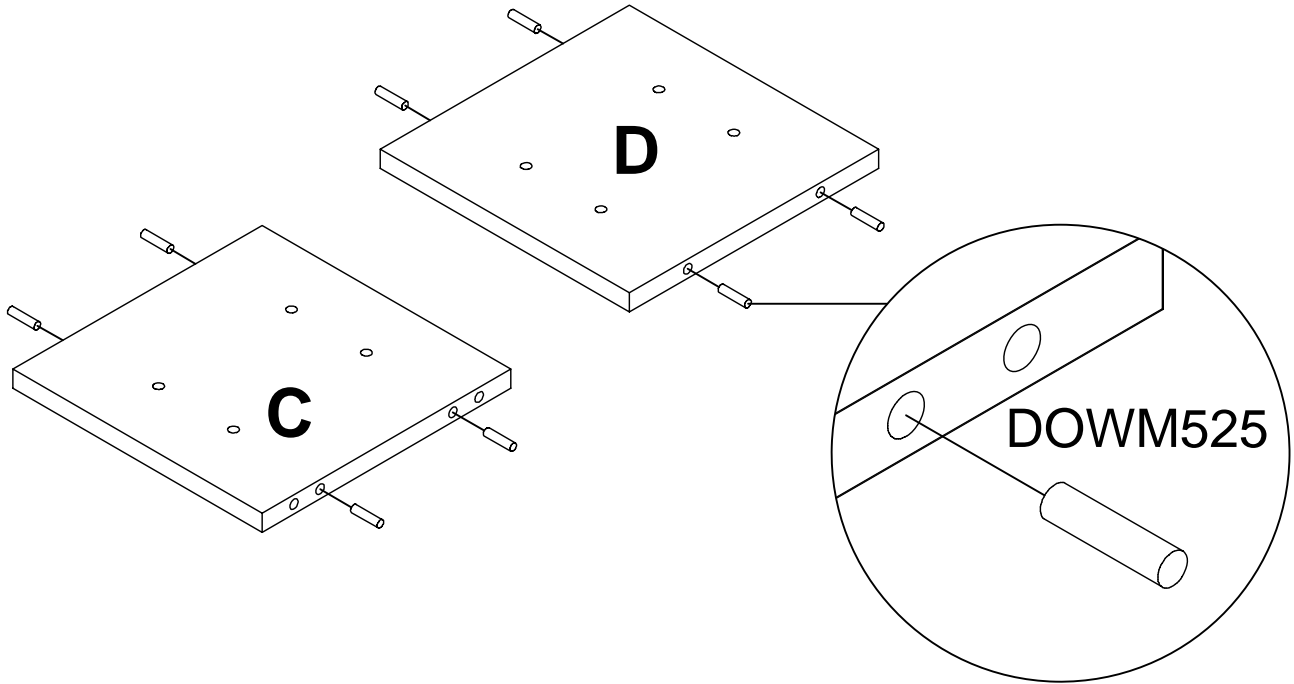
# PARTS IDENTIFICATION

NOTE: FIRST MAKE SURE THAT YOU HAVE ALL OF THE PARTS LISTED ON THIS SHEET. IF YOU ARE MISSING ANY PIECE(S), DO NOT ASSEMBLE THE UNIT. INSTEAD, CALL CUSTOMER SERVICE NUMBER AT: (888) 777-8250. WE WILL BE HAPPY TO ASSIST YOU.

				<b>1160A-Top</b>	<b>1pcs</b>
				<b>1160B-Bottom</b>	<b>1pc</b>
				<b>1160C-Side</b>	<b>2pcs</b>
				<b>1160D-Divider</b>	<b>2pcs</b>
				<b>1160E-Shelf</b>	<b>6pcs</b>
				<b>1160F-Back Panel</b>	<b>3pcs</b>

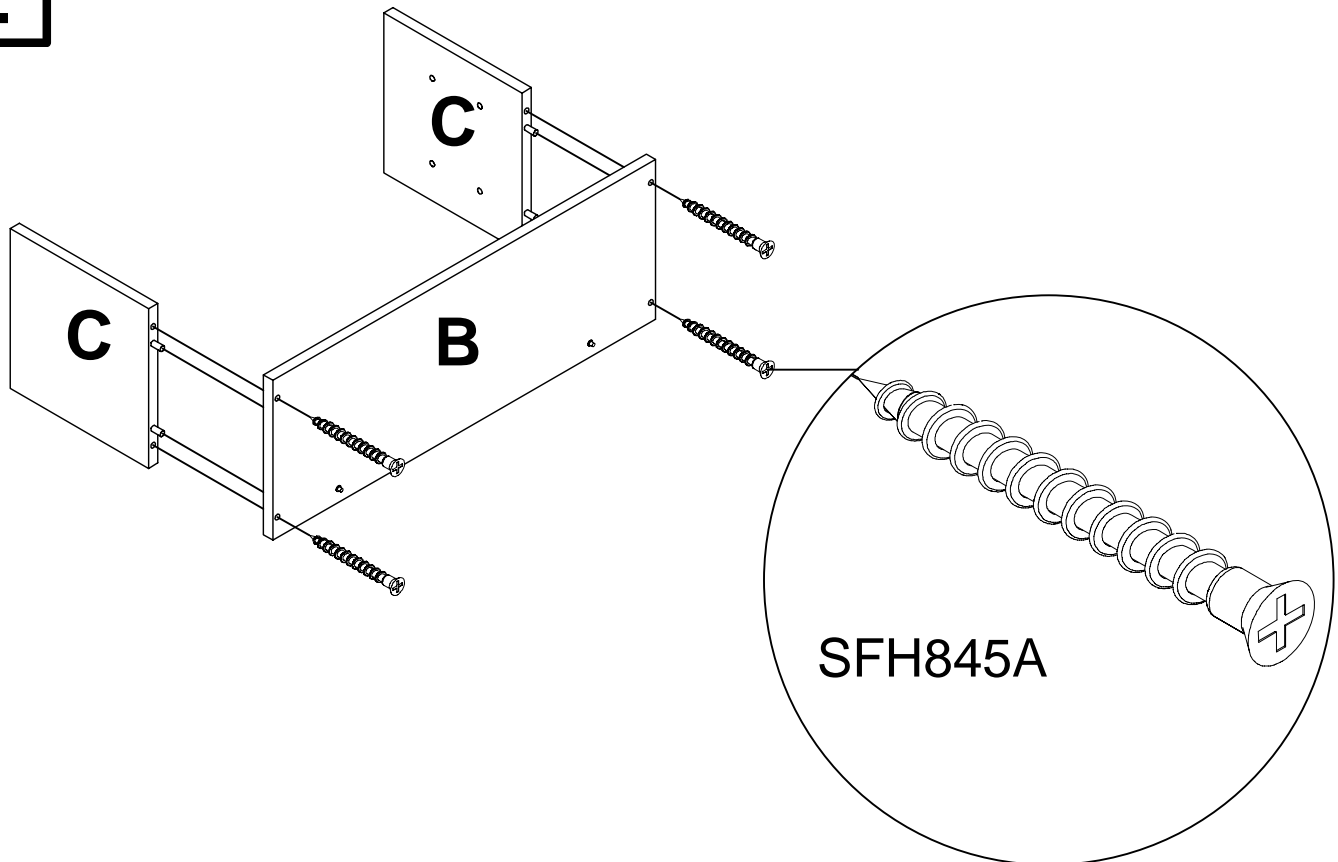
HARDWARE	PART #	DESCRIPTION	QTY
	DOP2516	METAL PIN	2
	SFE55Z	EUROSCREW	2
	SFH845A	WOOD SCREW	8
	DOWM525	PIN	16
	DRWINS	DRYWALL INSERT	4
	SHS819Z	WASHER HEAD SCREW	4
	NAIL1434	NAIL	18
	BP-5	SHELF SUPPORT	24
	SC-S	SCREW COVER CAP	8
	BM25	ANGLE BRACKET	4

1

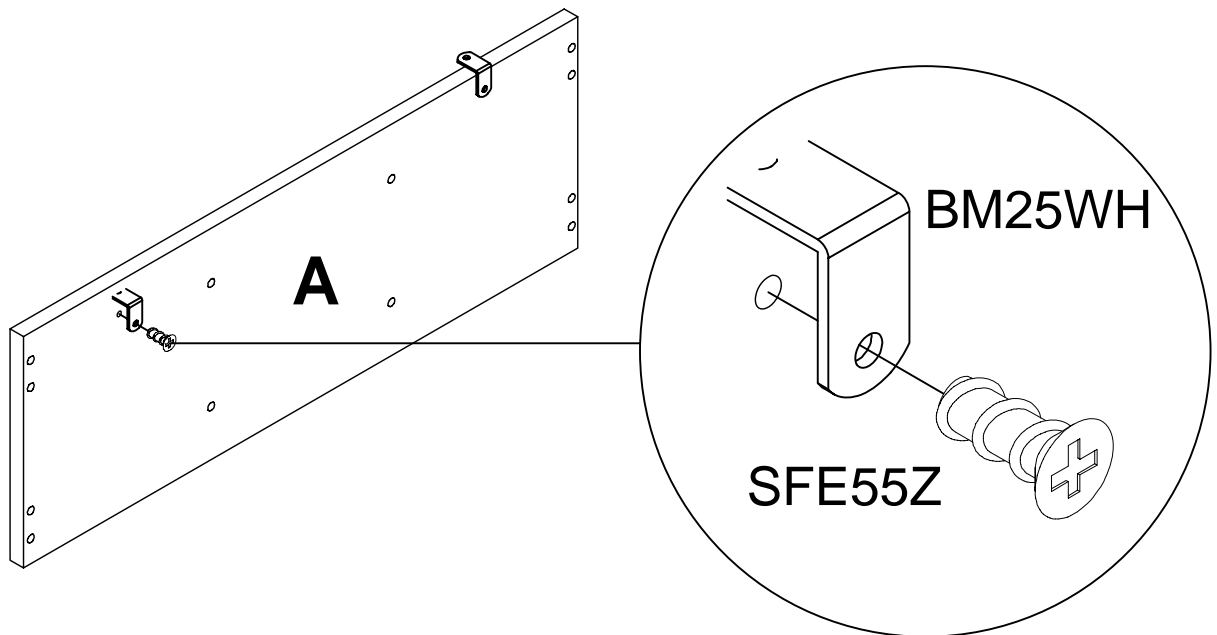


NOTE: Make sure the metal pin go in as far possible, they should stick out no more than  $\frac{3}{8}$  of an inch.

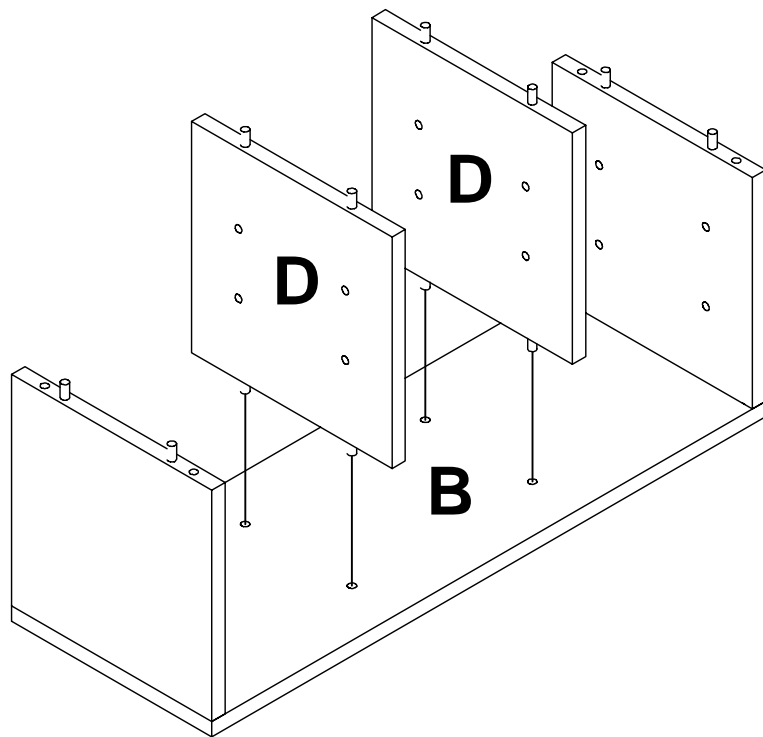
2



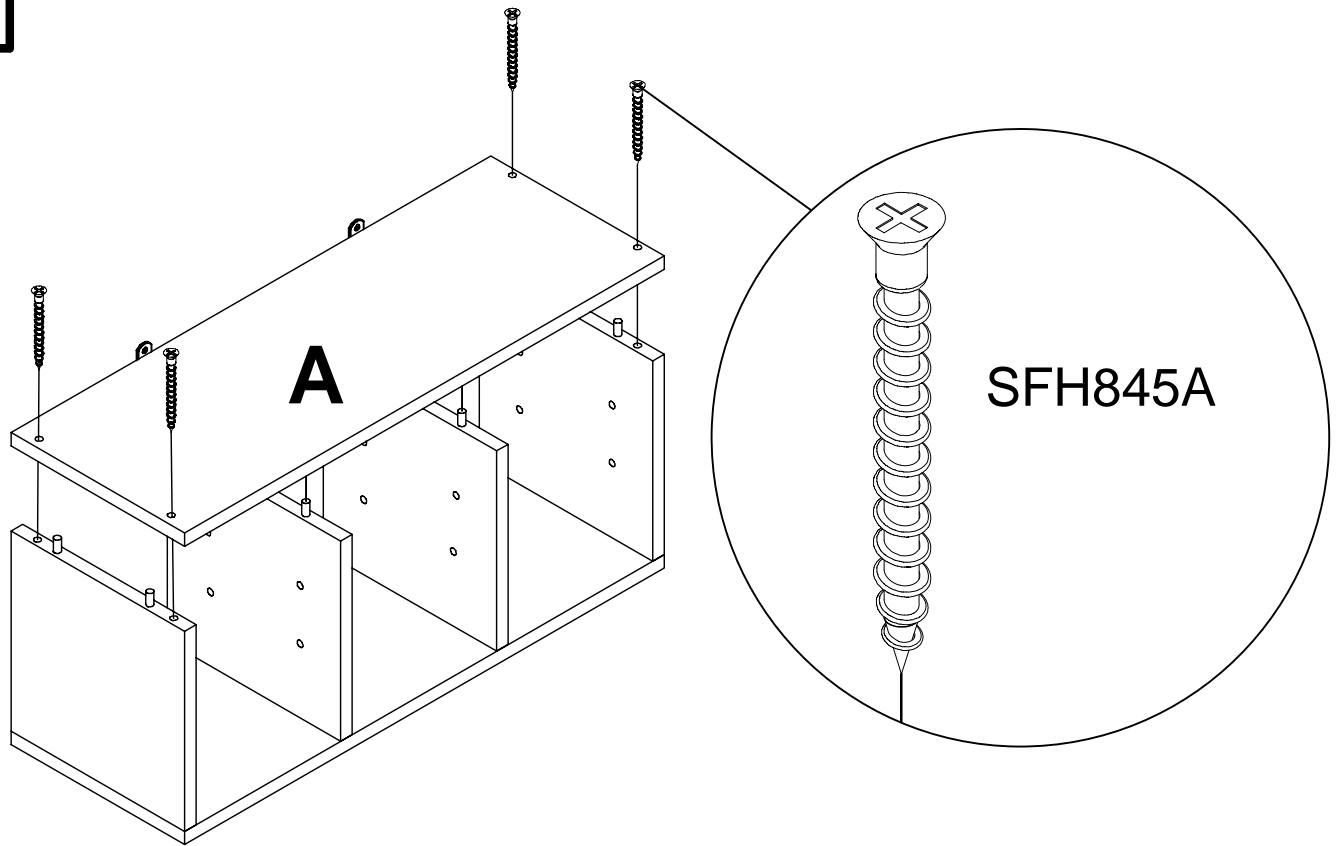
3



4

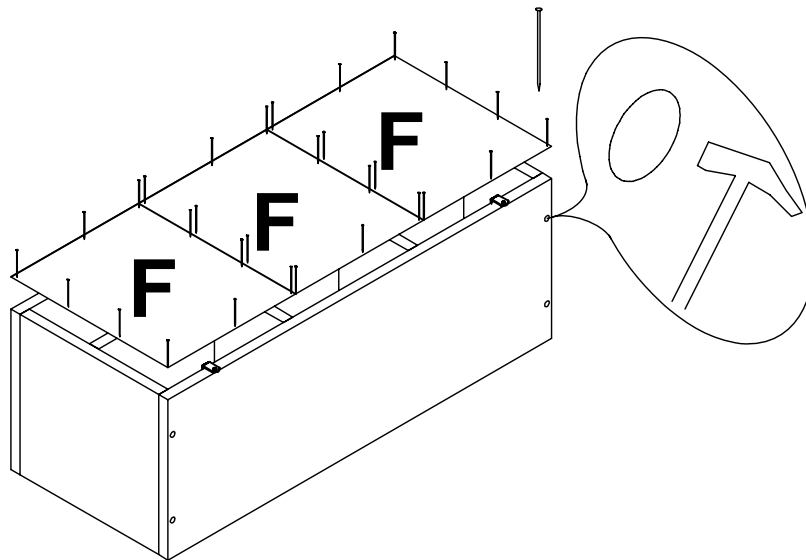


5



6

Set the unit face down. Place the back panel onto the unit. Align the back panel with the top (A), leaving equal amount of margins on both side C's. Now, nail the back panel onto parts (C) and (A,B).

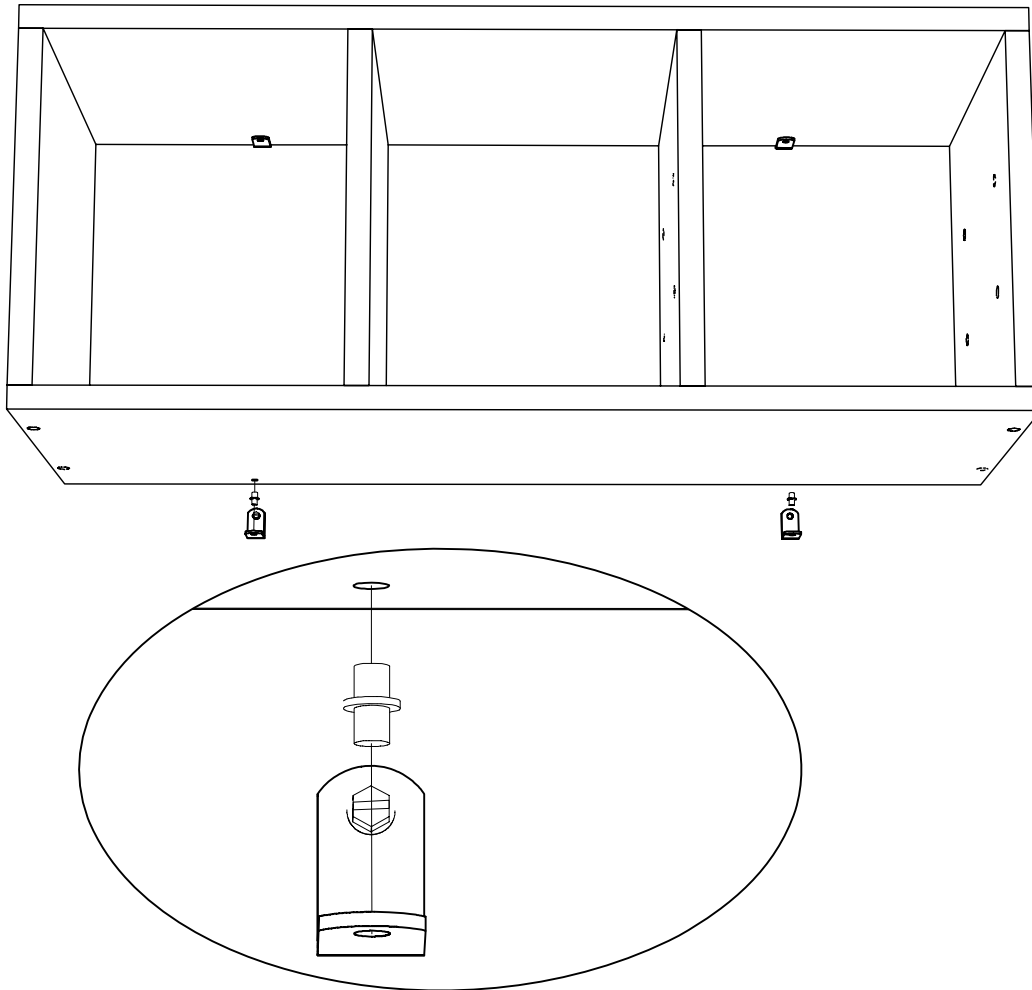


Insert the cover caps into the heads of the exposed wood screws on the top and bottom. Gently tap them into place using a hammer.

**7**

Attach angle brackets to the wall, use anchors if studs cannot be utilized. Set pins in the holes of metal brackets. Align holes in top with the pins and lower the unit onto them.

Space brackets exactly 16" apart. You may use brackets attached to the top as a template.



Place the unit in desired position, mark the positions of the angle brackets by tapping a nail or awl through the holes in the brackets into the wall. Then, remove the nail or awl. Attach the angle brackets using the washer head screws provided, for the most secure attachment drive the screws into the wall studs. If it cannot be utilized, use the self-drilling drywall anchors, included in this package. Follow these instructions.

1. Place #2 Philips screwdriver or (#2 Philips bit) into recess of self-drilling anchor.
2. Press into gypsum wall-board, while turning the anchor clockwise until it is seated flush with the wall.
3. Insert washer head screw with #2 Philips screwdriver.

8

