

The logo features a stylized 'V' shape composed of blue and black geometric elements, including horizontal lines and solid blue shapes.

VENTURE[®] HORIZON

Creative Design & Manufacturing

IF PARTS ARE MISSING AND OR DEFECTIVE, IF INSTRUCTIONS ARE NOT CLEAR
OR IF YOU ARE EXPERIENCING PROBLEMS ASSEMBLING OUR PRODUCT.

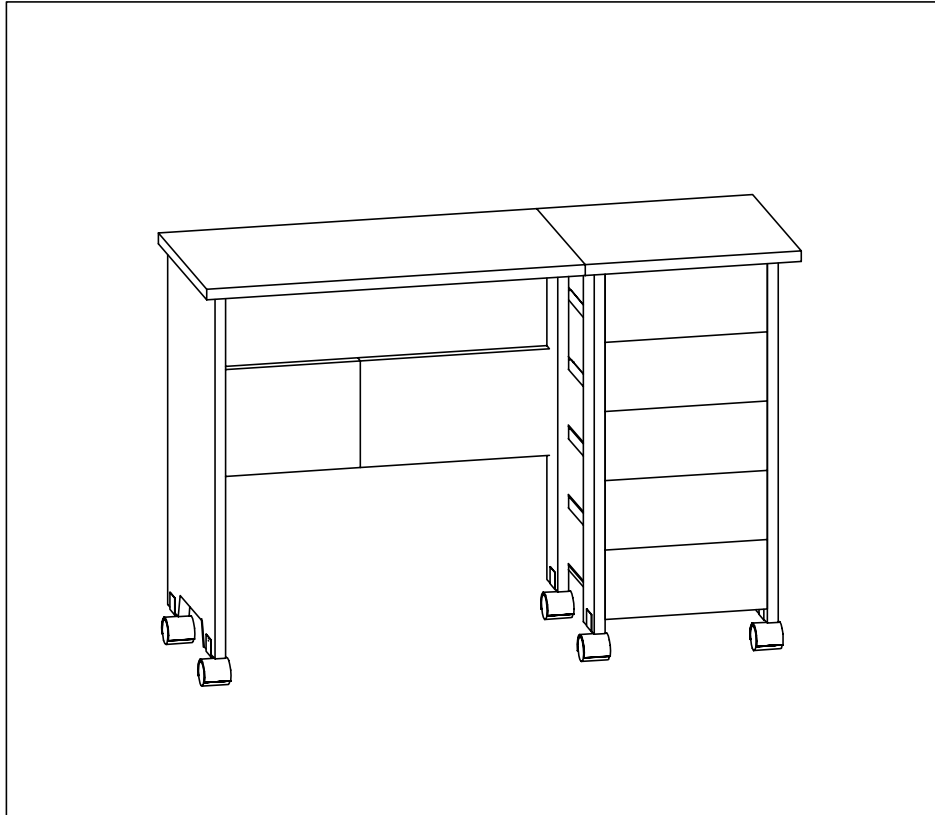
**BEFORE YOU RETURN THE PRODUCT TO THE STORE,
PLEASE CALL US TOLL FREE FOR CUSTOMER SERVICE ASSISTANCE**

(888) 777-8250

OR SEND US EMAIL AT

help@spartakent.com

PLEASE HAVE ITEM NUMBER READY, AND A REPRESENTATIVE WILL GLADLY ASSIST YOU





Creative Design & Manufacturing

IF PARTS ARE MISSING AND OR DEFECTIVE, IF INSTRUCTIONS ARE NOT CLEAR
OR IF YOU ARE EXPERIENCING PROBLEMS ASSEMBLING OUR PRODUCT.

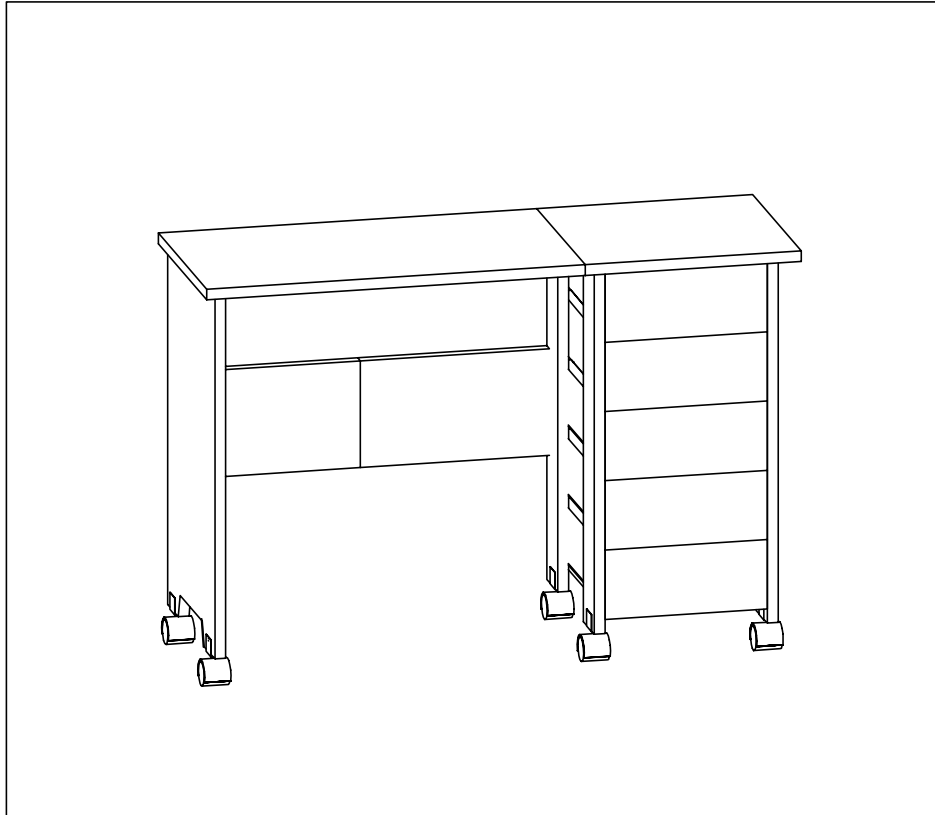
**BEFORE YOU RETURN THE PRODUCT TO THE STORE,
PLEASE CALL US TOLL FREE FOR CUSTOMER SERVICE ASSISTANCE**

(888) 777-8250


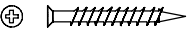
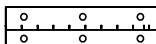

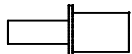






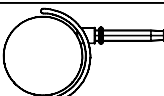


OR SEND US EMAIL AT

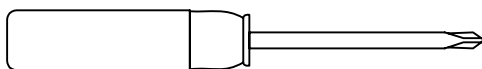
help@spartakent.com

PLEASE HAVE ITEM NUMBER READY, AND A REPRESENTATIVE WILL GLADLY ASSIST YOU

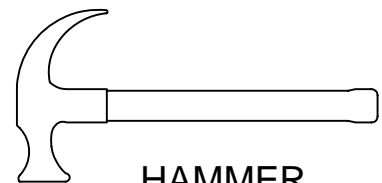


HARDWARE LIST

HARDWARE	PART #	DESCRIPTION	QTY
	GLUEWD	GLUE	2
	SFH825A	WOOD SCREW	18
	HIN152S	HINGE	5
	DOWW830	WOOD DOWEL	12
	DOWM518	PIN	32
	DOWM525	METAL PIN	6
	UCHAN12	U-CHANNEL	2
	UCHAN58	UCHANNEL	6
	SF1025BL	WOOD SCREW	2
	SP12PR	PLASTIC ROLLER	2
	SPB1012BL	PAN HEAD SCREW	12
	CAS40S	CASTER	6
	CAMLT12	CAMLOCK	4
	CAMBT16	BOLT	4



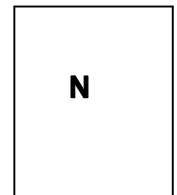
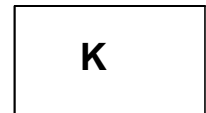
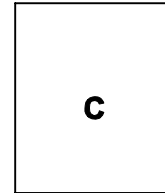
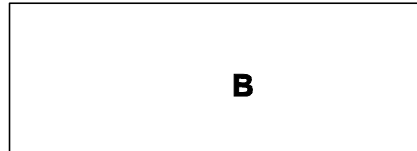
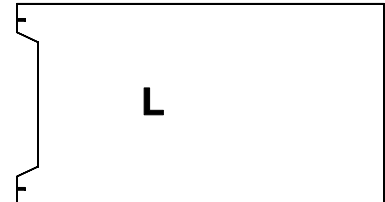
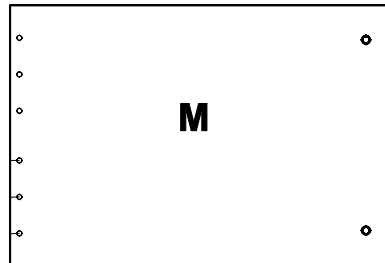
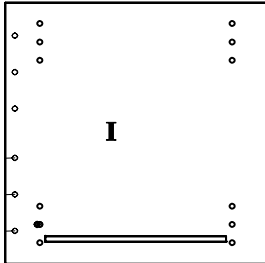
PHILIPS SCREWDRIVER



HAMMER

PARTS IDENTIFICATION

NOTE: FIRST MAKE SURE THAT YOU HAVE ALL OF THE PARTS LISTED ON THIS SHEET. IF YOU ARE MISSING ANY PIECE(S), DO NOT ASSEMBLE THE UNIT. INSTEAD, CALL CUSTOMER SERVICE NUMBER AT: (888) 777-8250. WE WILL BE HAPPY TO ASSIST YOU.

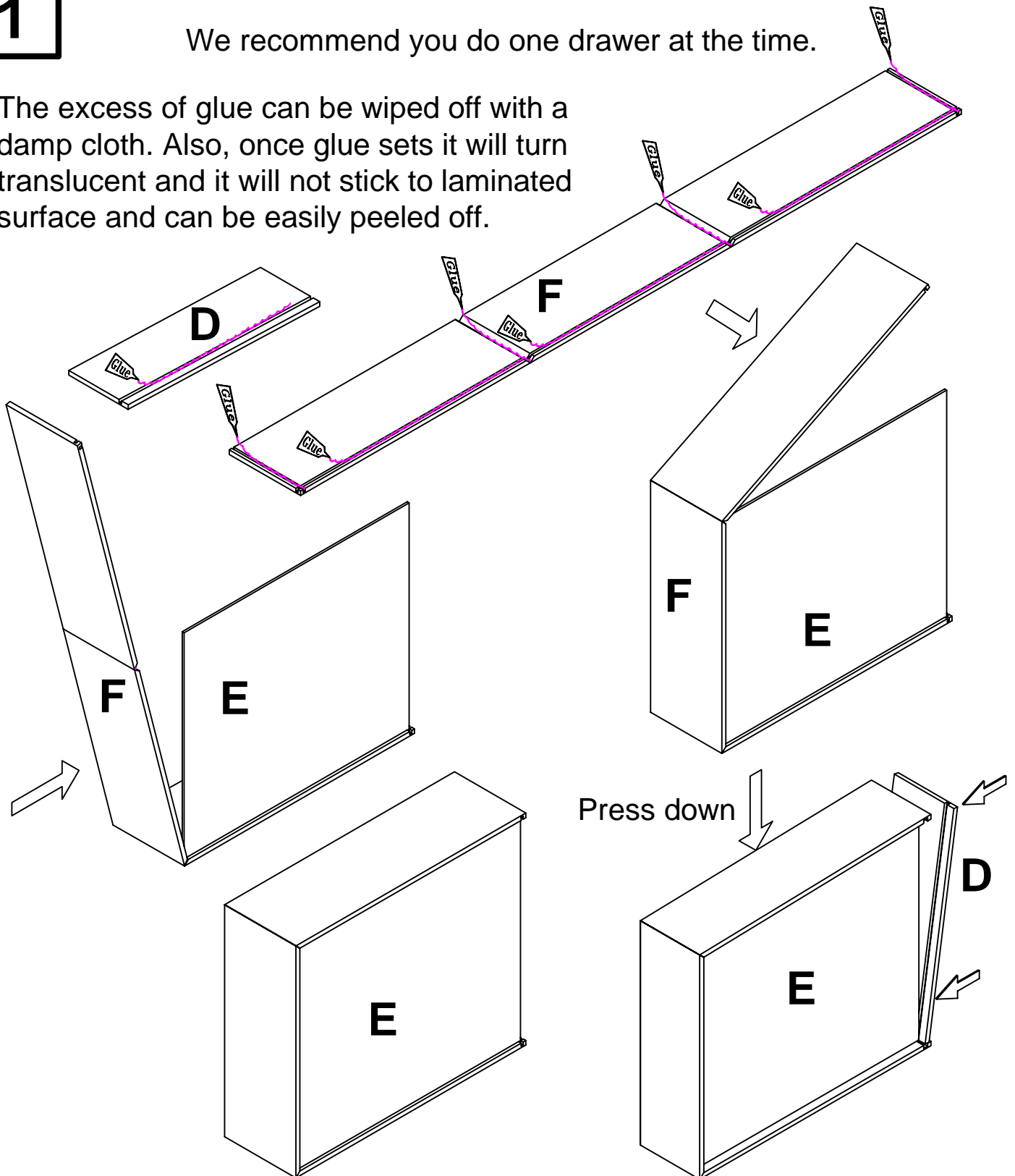


1010A-Left front upright	1pc	1010H-Right rear upright	1pc
1010B-Back panel	1pc	1010I-Top	1pc
1010C-Shelf	4pcs	1010J-Left rear upright	1pc
1010D-Drawer back	5pcs	1010K-Back brace	2pcs
1010E-Drawer bottom	5pcs	1010L-Sliding side	1pc
1010F-Drawer mt. fold	5pcs	1010M-Leaf	1pc
1010G-Right front upright	1pc	1010N-Bottom	1pc

1

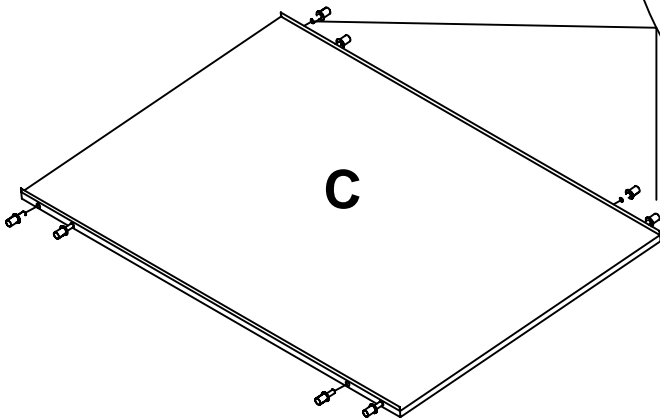
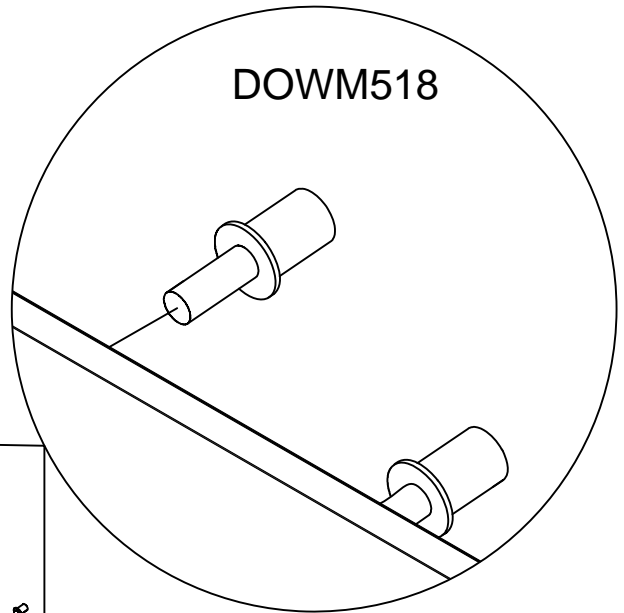
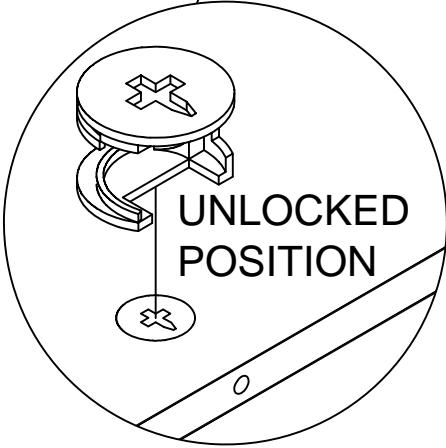
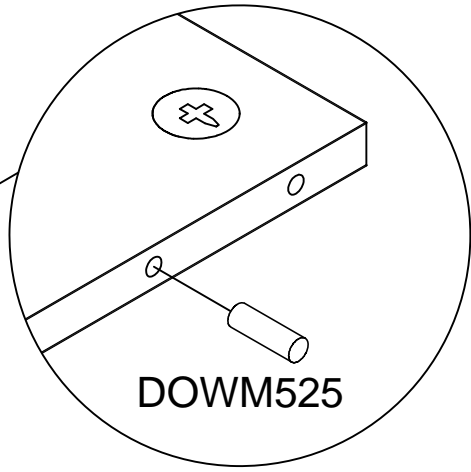
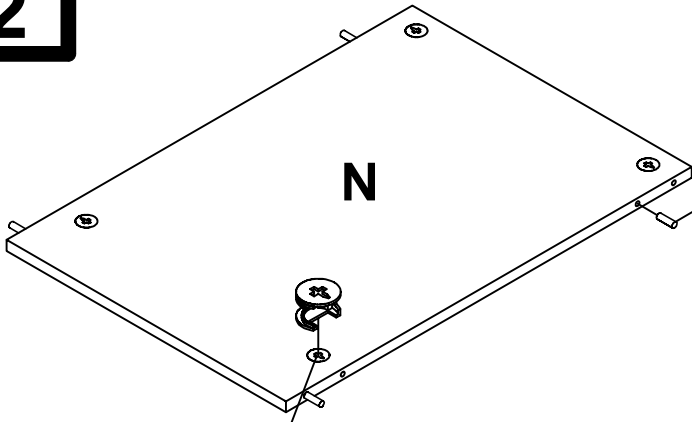
We recommend you do one drawer at the time.

The excess of glue can be wiped off with a damp cloth. Also, once glue sets it will turn translucent and it will not stick to laminated surface and can be easily peeled off.



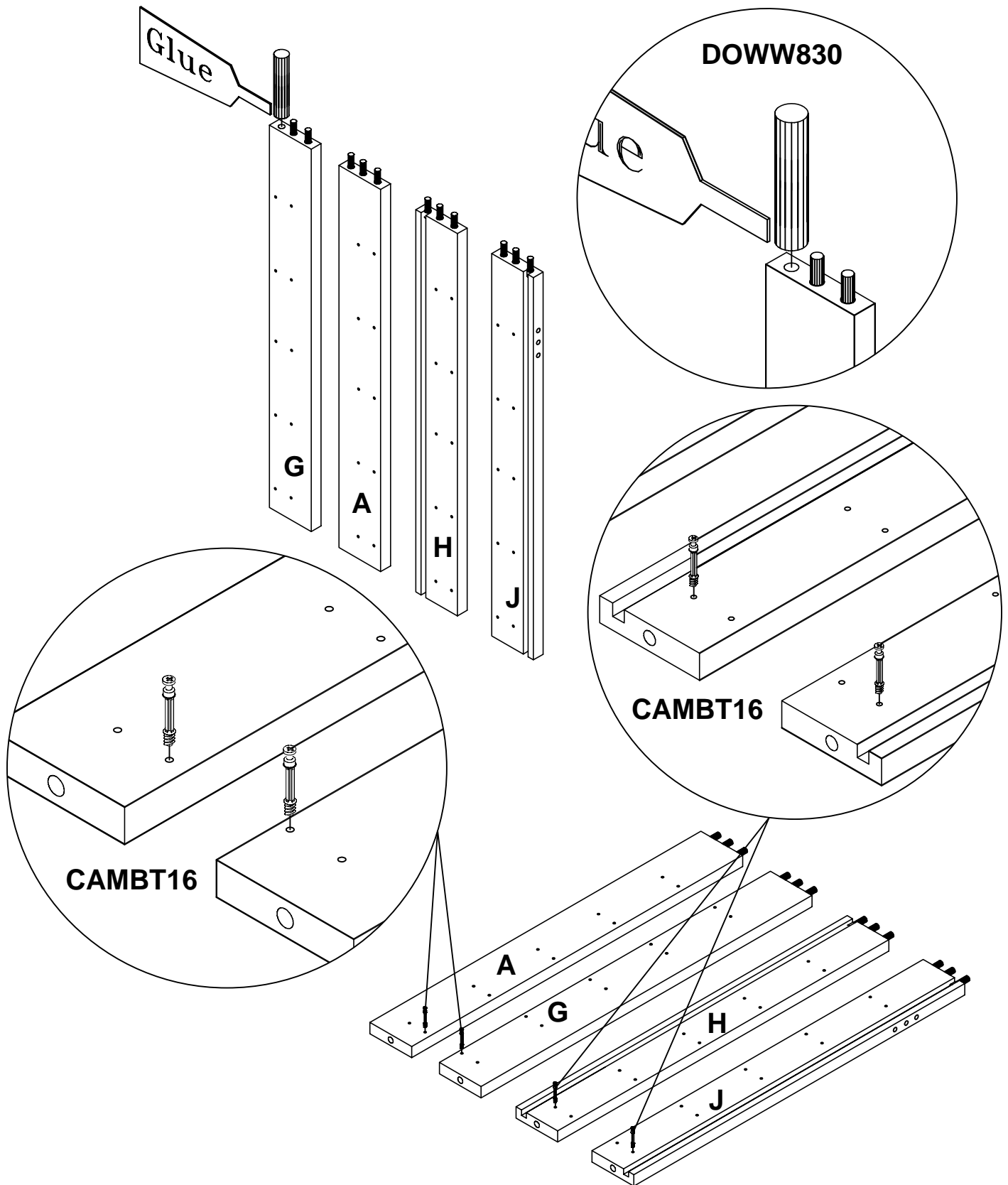
Allow glue to set at least for 2 hours. Repeat this step for the other four drawers. Make sure drawer back fits snug and there are no gaps. Leave drawers on their side until glue has set. You may put weight on it, like couple of books to apply pressure. In the mean time you can complete assembly of the frame of the workstation.

2



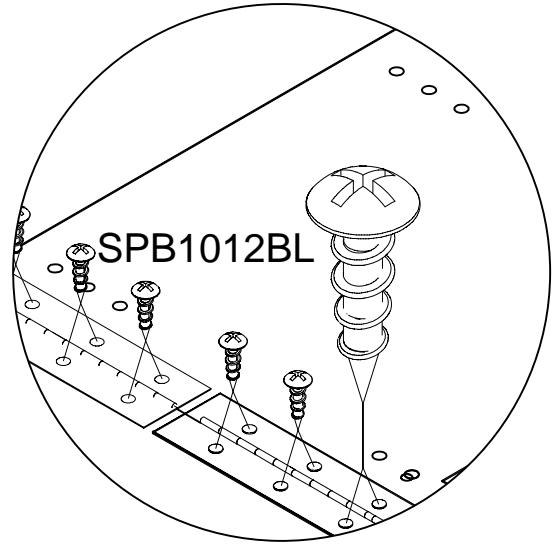
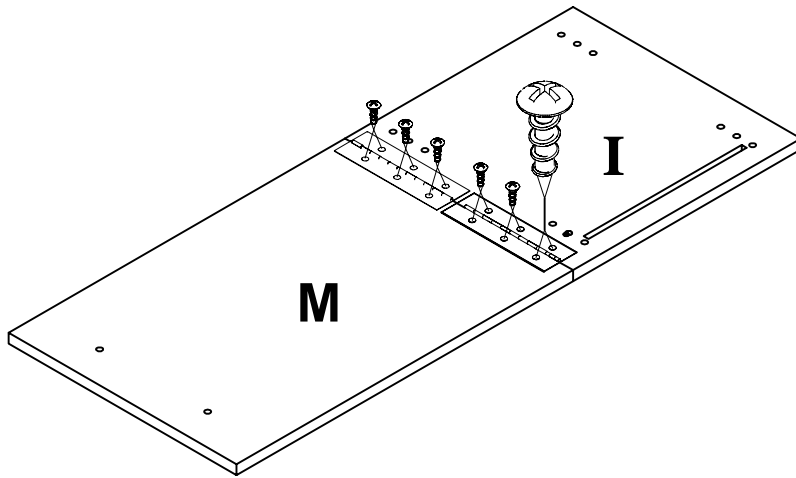
3

Apply one drop of glue inside each of the dowel holes. Next, gently tap each dowel into place using a small hammer. **Make sure the dowels go in as far as possible. They should stick out no more than 3/8".**

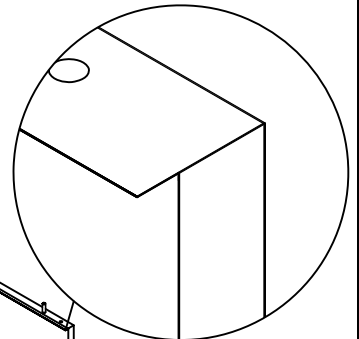


4

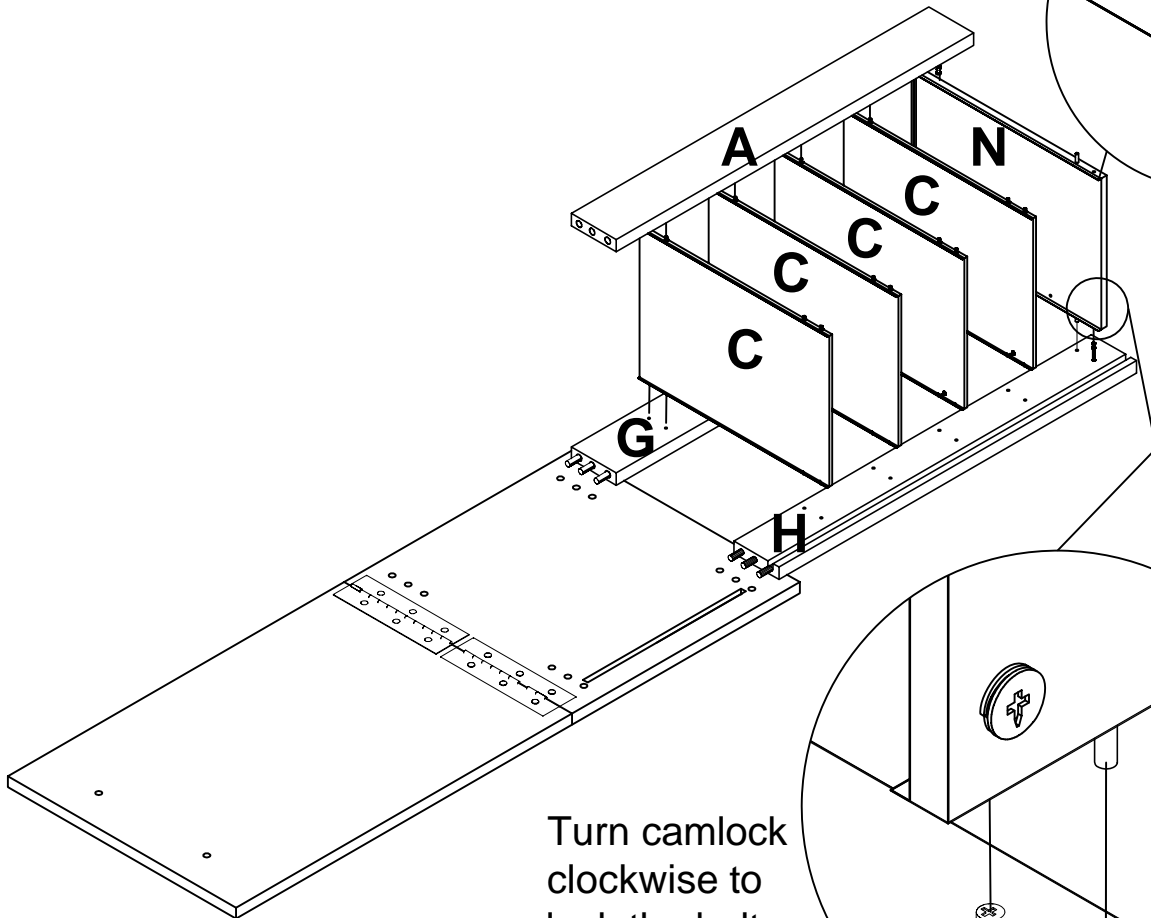
Do not overtighten the screws as you may strip the wood. It will be a good idea not to use power drill.



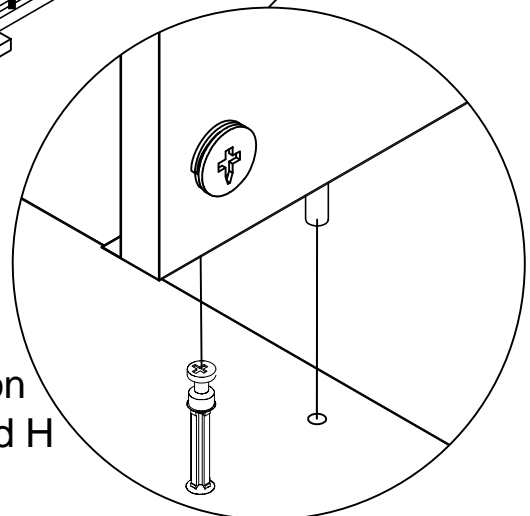
NOTE: The center part of the hinge that sticks out should point up when you attach hinge in this step.



Make sure lip on parts C and N is on top

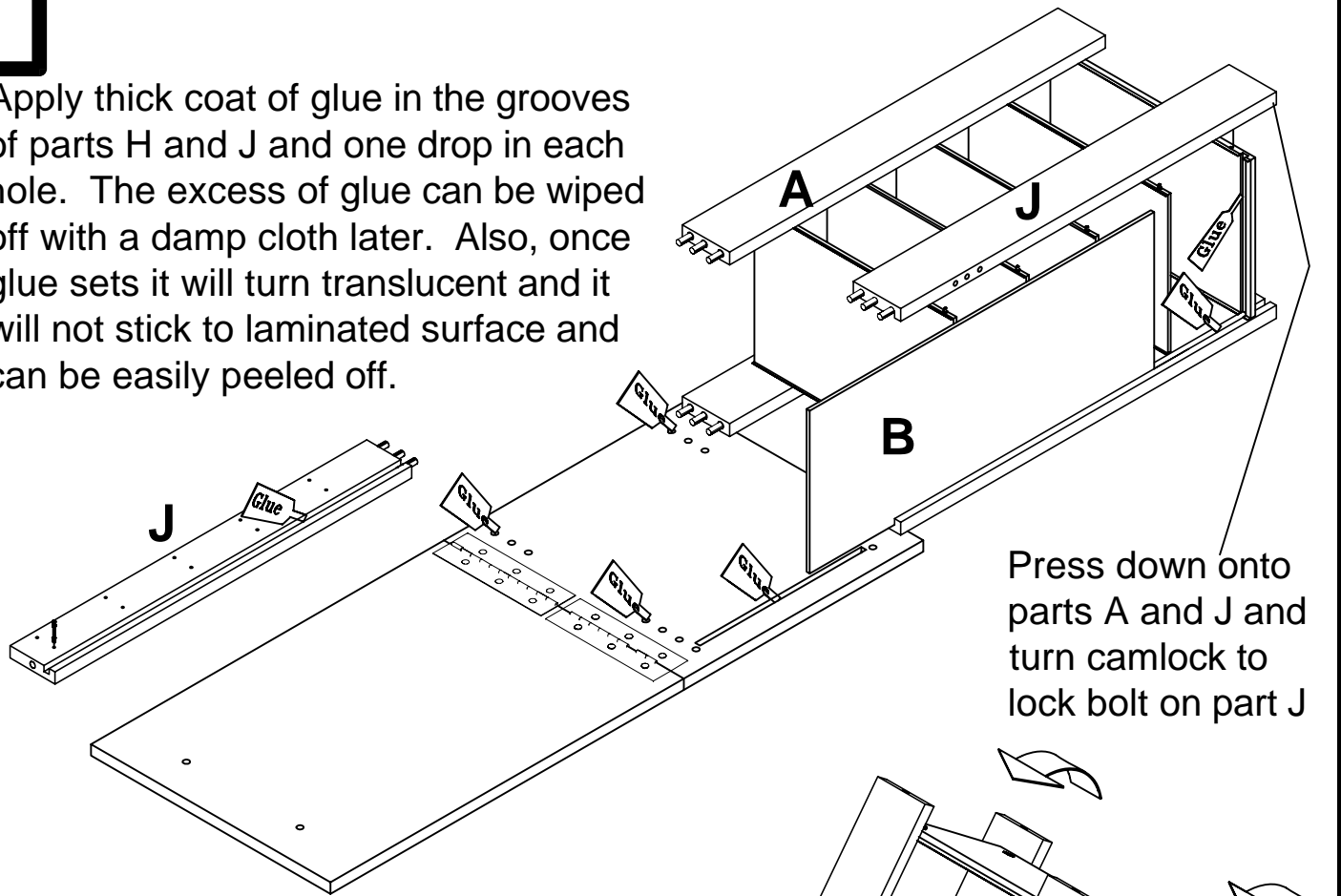


Turn camlock clockwise to lock the bolt on parts A, G and H



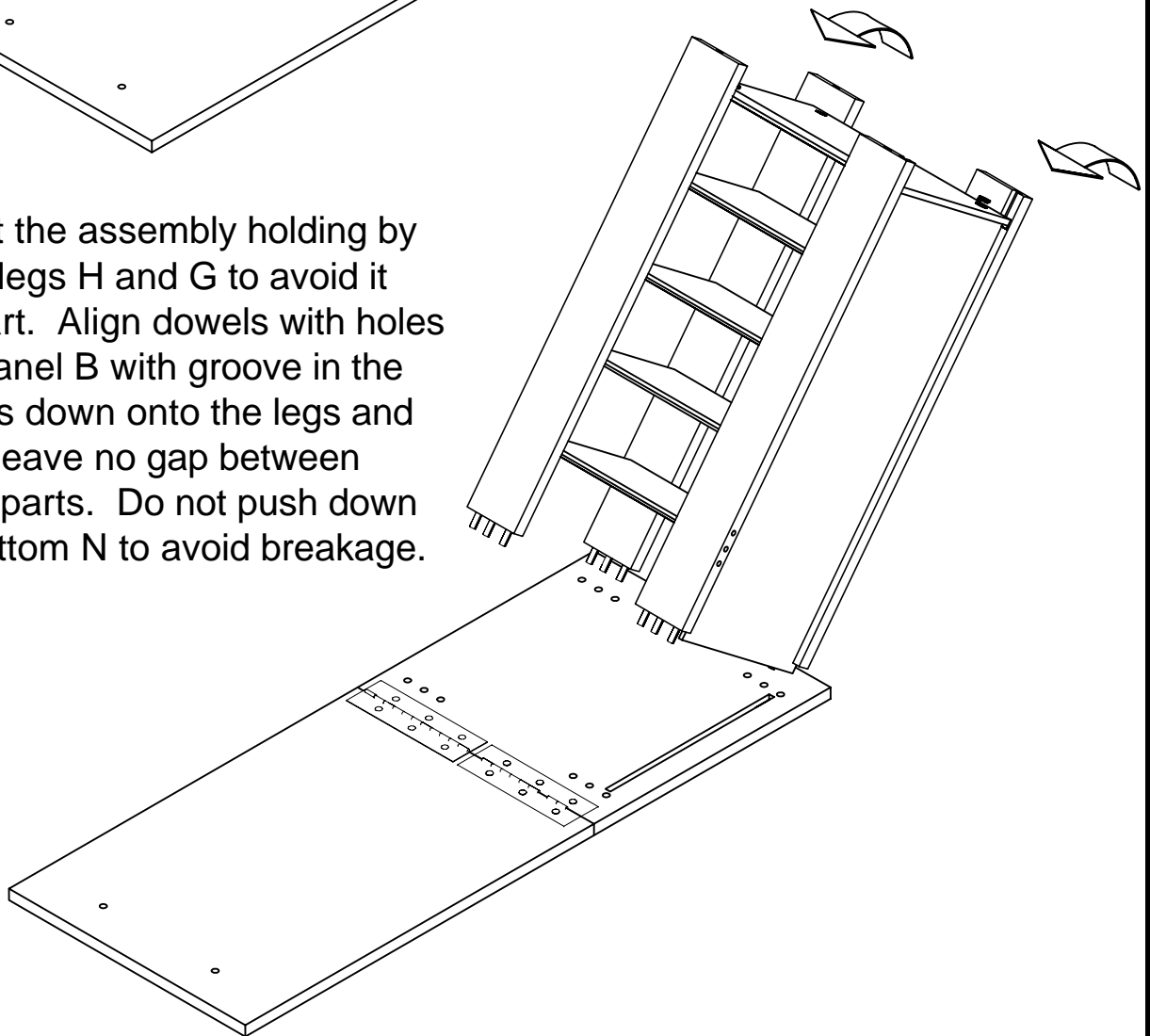
5

Apply thick coat of glue in the grooves of parts H and J and one drop in each hole. The excess of glue can be wiped off with a damp cloth later. Also, once glue sets it will turn translucent and it will not stick to laminated surface and can be easily peeled off.

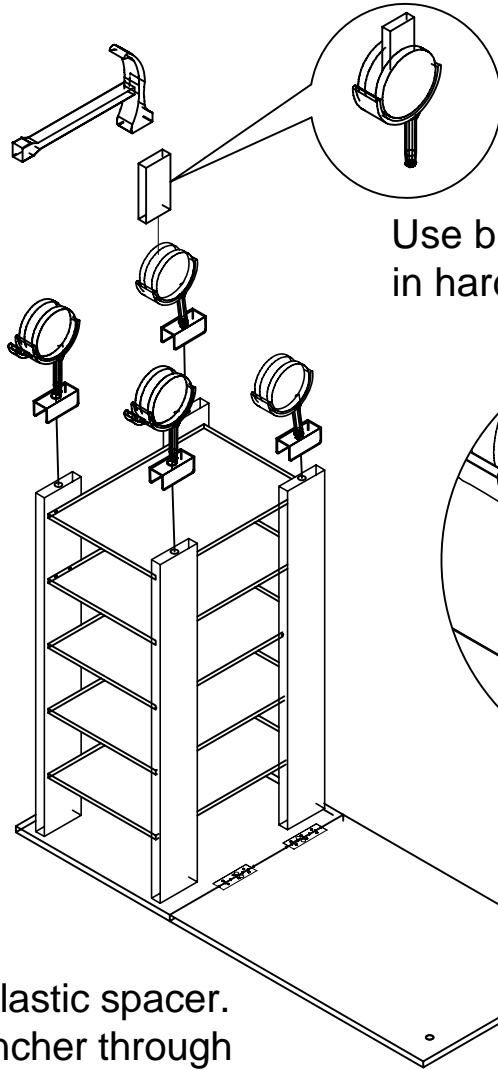


Press down onto parts A and J and turn camlock to lock bolt on part J

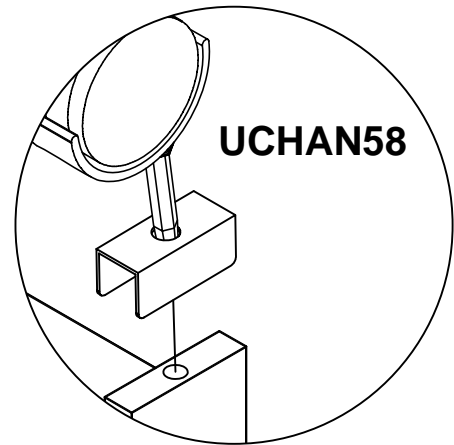
Carefully lift the assembly holding by the bottom legs H and G to avoid it coming apart. Align dowels with holes and back panel B with groove in the top I. Press down onto the legs and make sure leave no gap between connecting parts. Do not push down onto the bottom N to avoid breakage.



Locking casters
install in the front.

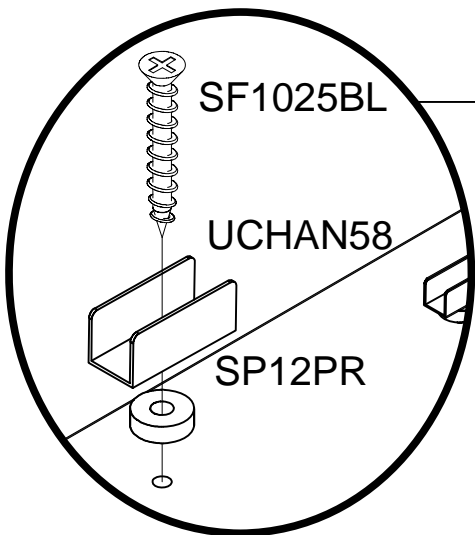


Use block provided
in hardware kit.



UCHAN58

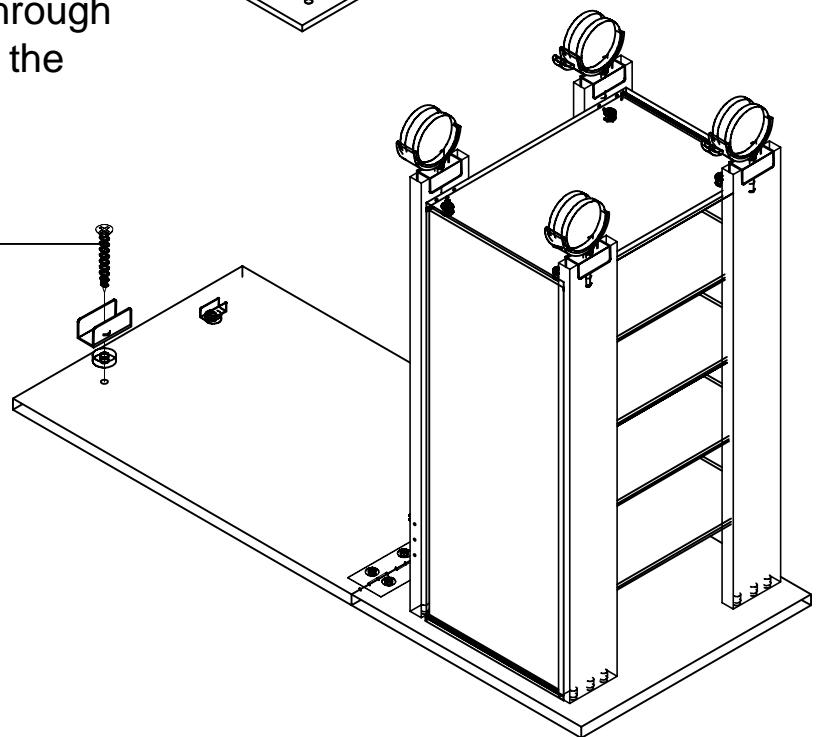
Make sure don't forget plastic spacer.
Otherwise the screw punches through
the top. Also, you will be using the
larger U-Channels in this step.



SF1025BL

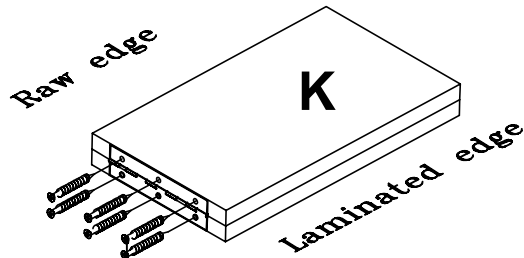
UCHAN58

SP12PR

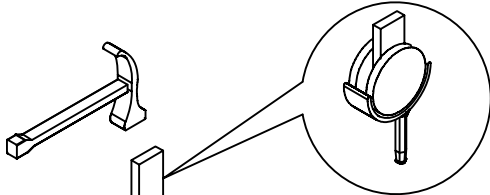
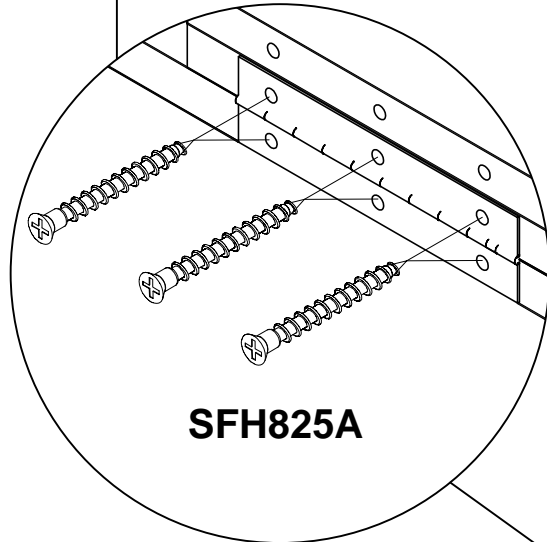
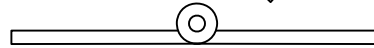


7

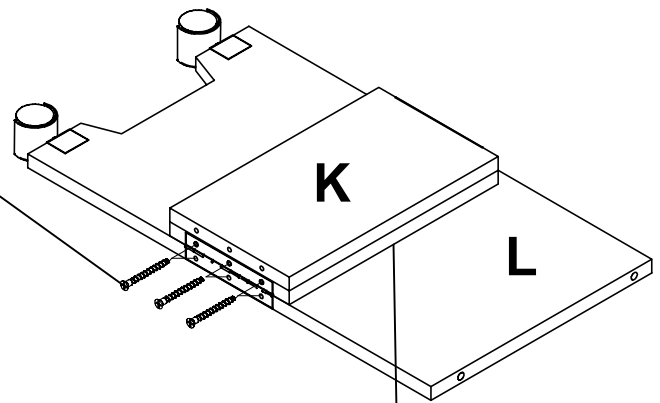
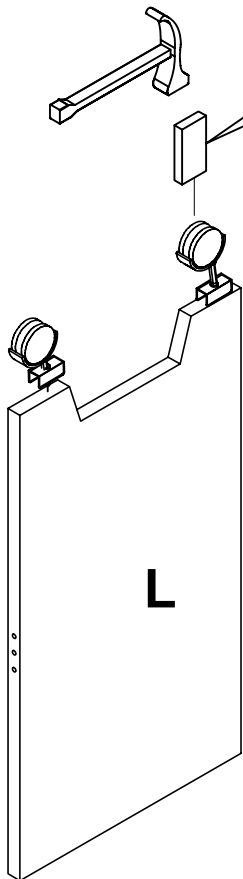
With six wood screws, attach the two part (K)'s together using the hinge. Make sure that the laminated edges are aligned as illustrated.



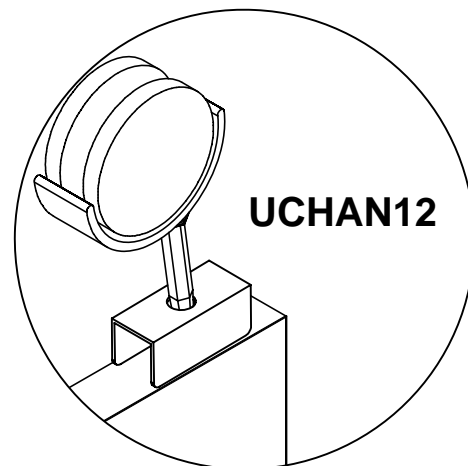
SFH825A



Use block provided in hardware kit.

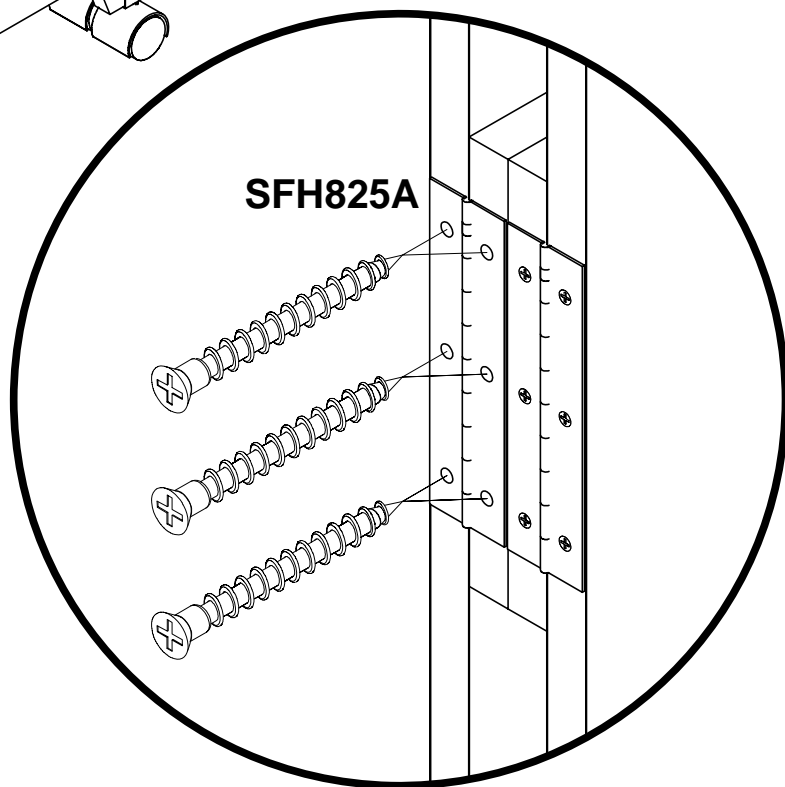
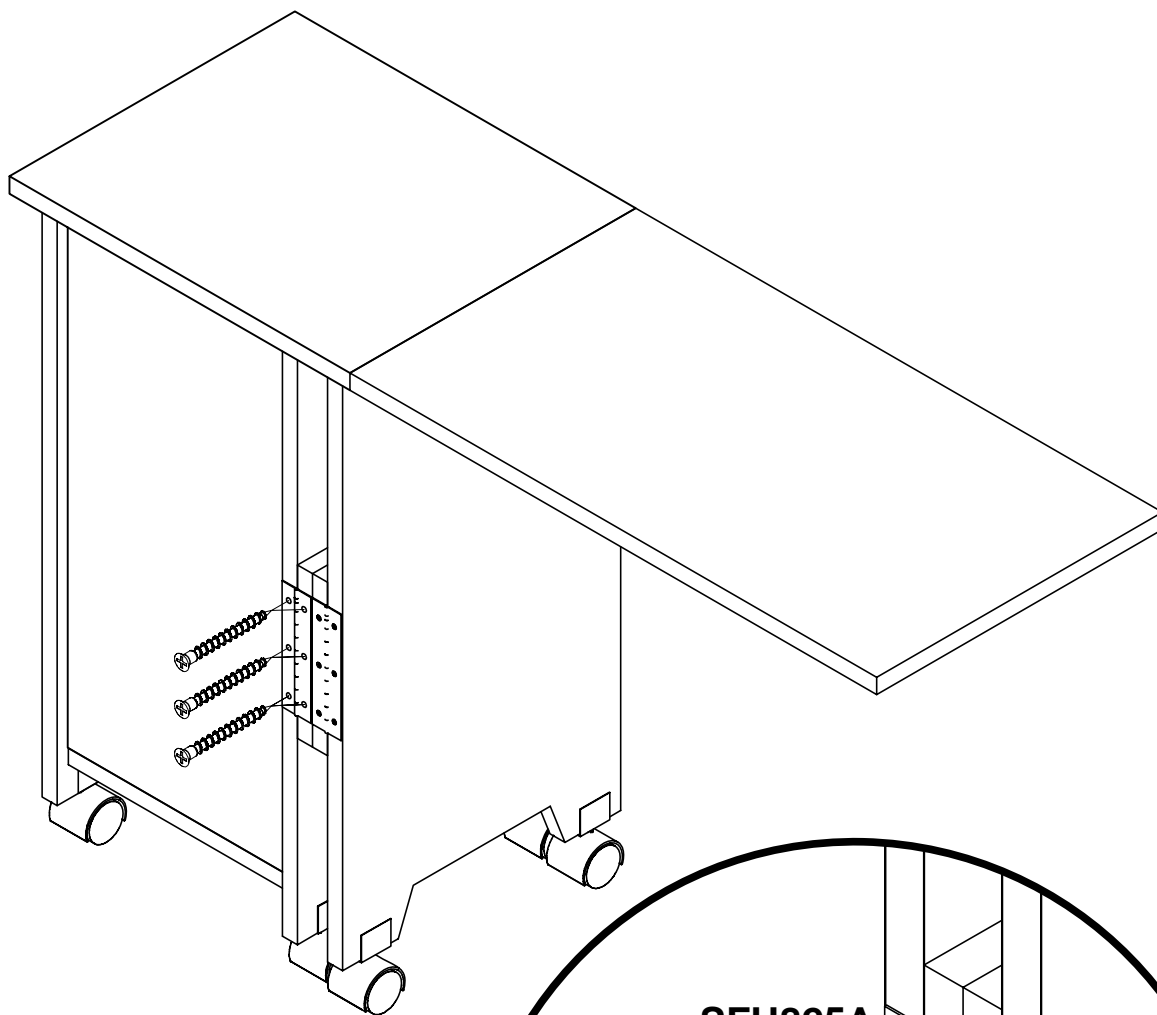


Laminated edge

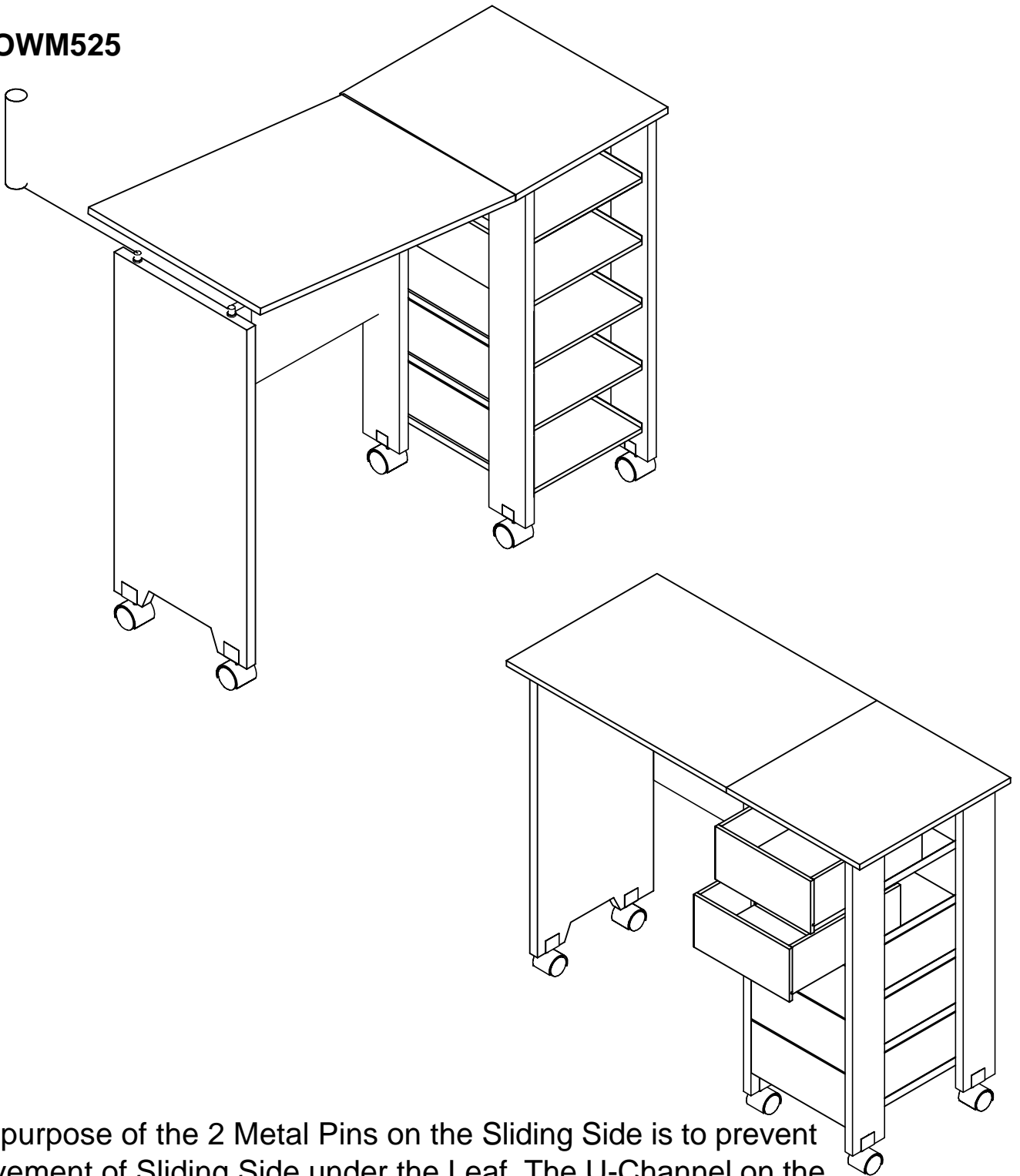


8

With six wood screws, attach part (K) onto part (J), once again using a hinge.

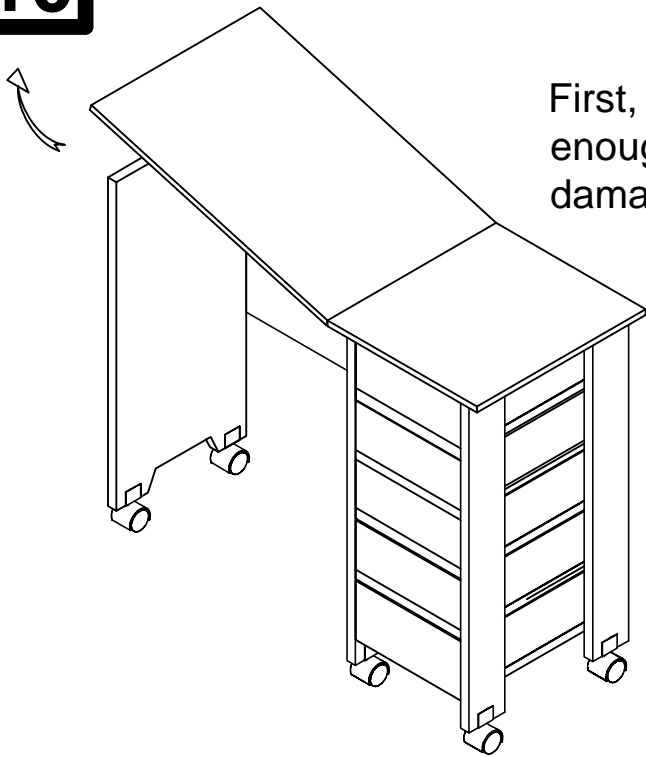


DOWM525

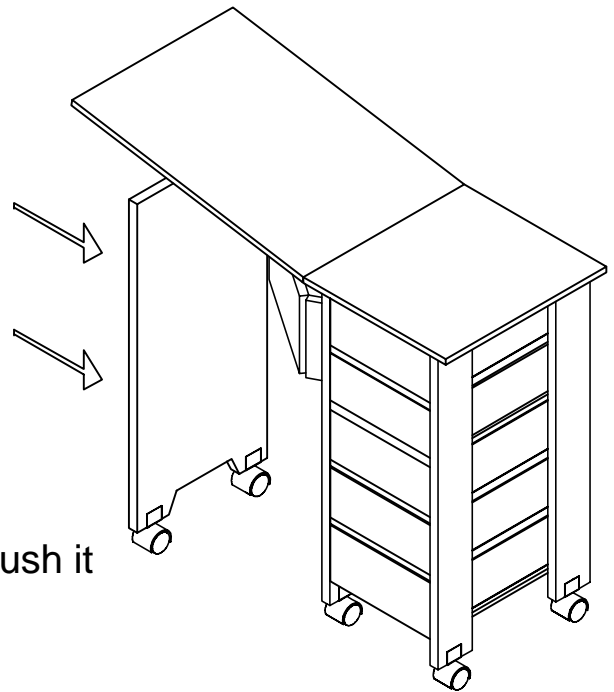


The purpose of the 2 Metal Pins on the Sliding Side is to prevent movement of Sliding Side under the Leaf. The U-Channel on the Leaf is meant to clamp down on the edge of the Leaf to prevent side-to-side movement . The 2 Metal Pins act as stops to prevent front-to-back movement.

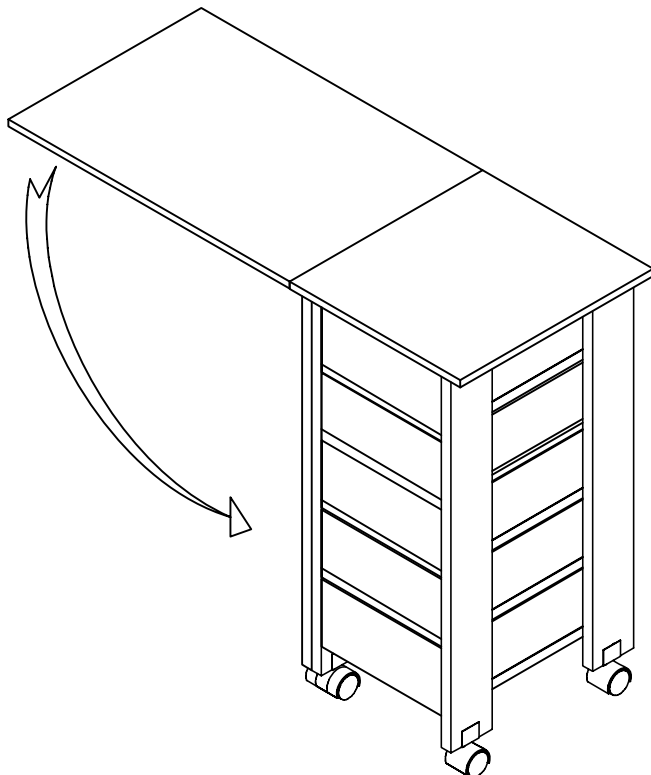
TRANSFORMATION INSTRUCTIONS



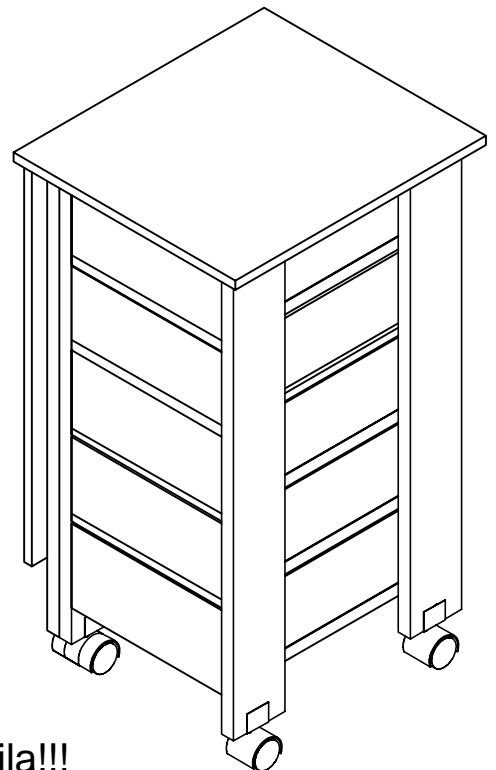
First, lift the top panel slightly. (NOTE: Lift just enough so that the boards will not get damaged).



Next, push side panel in. Make sure you push it in as far as it will go.



Finally, gently let the top panel down.



Voila!!!