



3 In 1 Electric Blower, Vacuum and Leaf Shredder

Model No. SBJ604E

Form No. SJ-SBJ604E-880E

A Division of Snow Joe, LLC

OPERATOR'S MANUAL

IMPORTANT!

Safety Instructions

All Operators Must Read These Instructions Before Use

Failure to follow all warnings, and instructions may result in electric shock, fire or serious injury.

⚠ WARNING! This indicates a hazardous situation, which, if not avoided, could result in death or serious injury.

⚠ CAUTION! This indicates a hazardous situation, which, if not avoided, could result in minor or moderate injury.

⚠ DANGER! This indicates a hazardous situation, which, if not followed, will result in death or serious injury.

When using an electric appliance, basic precaution should always be followed, including the following safety warnings.

General Power Tool Safety Warnings

FOR HOUSEHOLD USE ONLY

⚠ WARNING! To reduce the risk of fire, electric shock, or injury:

1. Do not leave appliance when plugged in. Unplug from outlet when not in use and before servicing.
2. Do not use on wet surfaces.
3. Do not allow to be used as a toy. Close attention is necessary when used by or near children.
4. Use only as described in this manual. Use only manufacturer's recommended attachments.
5. Do not use with damaged cord or plug. If appliance is not working as it should, has been dropped, damaged, left outdoors, or dropped into water, return it to a service center.
6. Do not pull or carry by cord, or use cord as a handle. Do not close a door on cord, or pull cord around sharp edges or corners.
7. Do not unplug by pulling on cord. To unplug, grasp the plug, not the cord.
8. Do not handle plug or appliance with wet hands.

9. Do not put any object into openings. Do not use with any opening blocked; keep free of dust, lint, hair, and anything that may reduce air flow.
10. Keep hair, loose clothing, fingers, and all parts of body away from openings and moving parts.
11. Turn off all controls before unplugging.
12. Do not use to pick up flammable or combustible liquids, such as gasoline, or use in areas where they may be present.
13. Do not pick up anything that is burning or smoking, such as cigarettes, matches, or hot ashes.
14. Do not use without dust bag and/or filters in place.
15. This appliance is provided with double insulation. Use only identical replacement parts. See instructions for Servicing of Double-Insulated Appliances.
16. Look on your appliance and follow all label and marking instructions.
17. Keep end of hose, wands and other openings away from your face and body.
18. Always unplug this appliance before connecting or disconnecting vacuum hose.
19. Store the appliance indoors. Put the vacuum away after use to prevent tripping accidents.
20. Using improper voltage may result in damage to the motor and possible injury to the user. Correct voltage is listed on the rating label.
21. Do not use for any purpose other than described in this user's guide.
22. If the blower is damaged, it must be repaired by the manufacturer or its service agent or a similarly qualified person in order to avoid a hazard.
23. Do not run appliance over cord. Keep cord away from heated surfaces.
24. Do not use for wet material.
25. Disconnect before cleaning or changing accessories.

⚠ WARNING! To reduce the risk of electric shock, this appliance has a polarized plug (one blade is wider than the other). This plug will fit in a polarized outlet only one way. If the plug does not fit fully in the outlet, reverse the plug. If it still does not fit, contact a qualified electrician to install the proper outlet. Do not change the plug in any way.

⚠ WARNING! To reduce the risk of electric shock – Unplug before cleaning or servicing.

To reduce the risk of electric shock - Do not expose unit to water or operate unit on wet ground. Disconnect from supply circuit before opening.

- Disconnect before cleaning or changing accessories.
- Do not use for wet material.

⚠ CAUTION! To reduce the risk of injury from moving parts-Unplug before servicing.

Servicing of double-insulated appliances






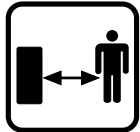
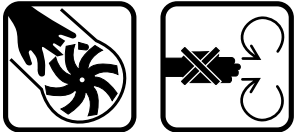
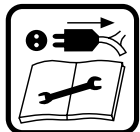
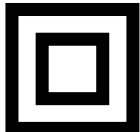
A double-insulated appliance is marked with one or more of the following : The words “DOUBLE INSULATION” or “DOUBLE INSULATED” or the double insulation symbol (□). In a double-insulated appliance, two systems of insulation are provided instead of grounding. No grounding means is provided on a double-insulated appliance, nor should a means for grounding be added to the appliance. Servicing a double-insulated appliance requires extreme care and knowledge of the system, and should be done only by qualified service personnel. Replacement parts for a double-insulated appliance must be identical to the parts they replace.

Additional safety rules for blowers

- This tool has been designed for blowing/collecting as well as vacuuming/shredding dry leaves and other dry garden rubbish such as grass and twigs.
- This tool is intended for domestic use only and is not designed to be used under wet conditions.
- This tool is not intended for professional use.
- Read this instruction manual carefully before use and save it for future reference.
- Pay special attention to the safety instructions and warnings; failure to follow these may result in serious injury.
- Check whether the packaging contains all parts as illustrated in drawing in (Fig. 1), on page 4.
- When parts are missing or damaged, please contact your dealer.

Safety Symbols

The following table depicts and describes safety symbols that may appear on this product. Read, understand, and follow all instructions on the machine before attempting to assemble and operate.

Symbols	Descriptions
	<p>Safety Alert. Caution.</p>
	<p>Warning! - To reduce the risk of injury, user must read instruction manual.</p>
	<p>Wear hearing protection. Wear eye protection. Wear breathing protection.</p>
	<p>Do not expose to rain. Keep dry.</p>
	<p>Caution of flying debris.</p>
	<p>Keep the bystander away. Use at a distance of at least 10 m from other people.</p>
	<p>Rotating blades. Keep hands and feet away from the openings, while the machine is running.</p>
	<p>WARNING! Always turn the machine OFF and disconnect the electrical power before conducting inspection, cleaning and maintenance. Remove plug from outlet immediately if the cord is damaged or cut.</p>
	<p>Double Insulation</p>

Know Your Electric Blower

Due to modern mass production techniques and product testing, it is unlikely that your power tool is faulty or that a part is missing. If you find anything wrong, do not operate the tool until the parts have been replaced or the fault has been rectified. Failure to do so could result in serious personal injury.

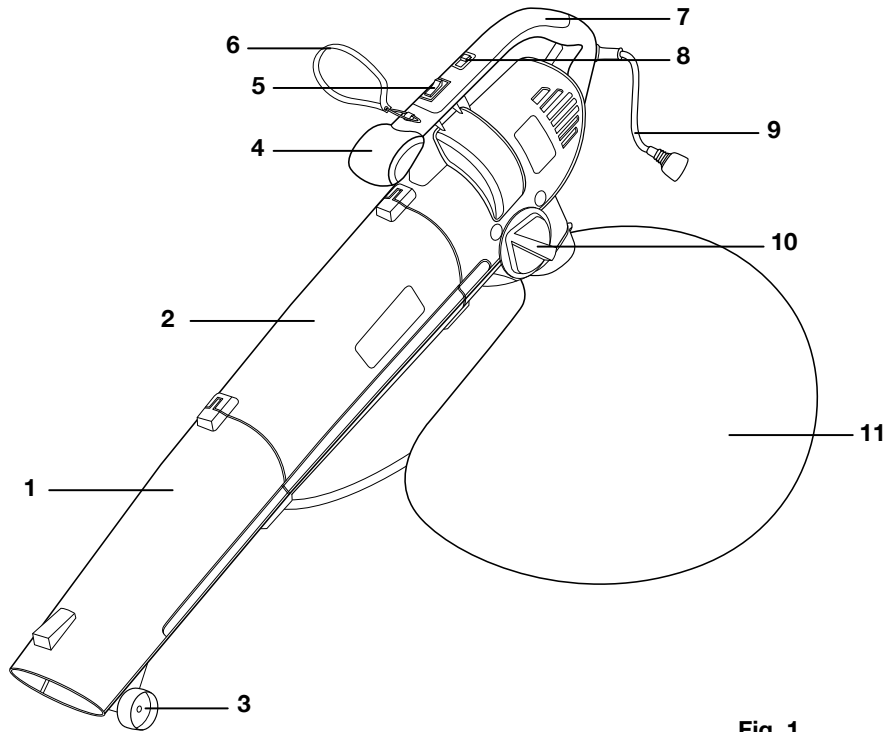


Fig. 1

- | | |
|---------------------------------------|---|
| 1. Lower/suction tube | 7. Main handle |
| 2. Upper/suction tube | 8. Speed adjustable switch |
| 3. Supporting wheel | 9. Power cord |
| 4. Front handle | 10. Transfer lever
(Blower or vacuum selector switch) |
| 5. Main switch | 11. Collection bag |
| 6. Supporting shoulder harness | |

Technical Data

Rated Voltage	120V ~ 60Hz	Mulch Ability	10:1
Rated Power	12 AMPs	Bag Cubage	14 GAL
Wind Speed	200 MPH	Weight	12.1 lbs
Vaccum Capacity	450 CFM		

Using the blower/vacuum/leaf shredder

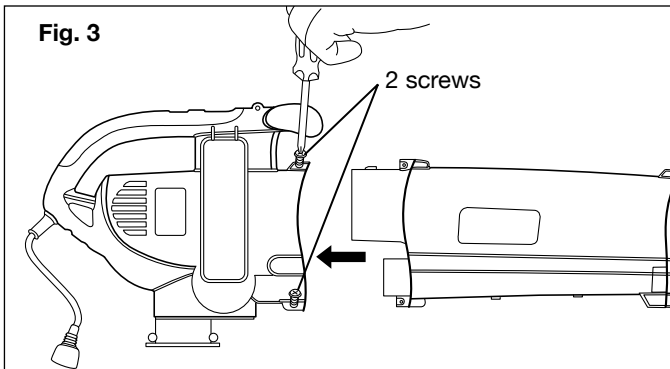
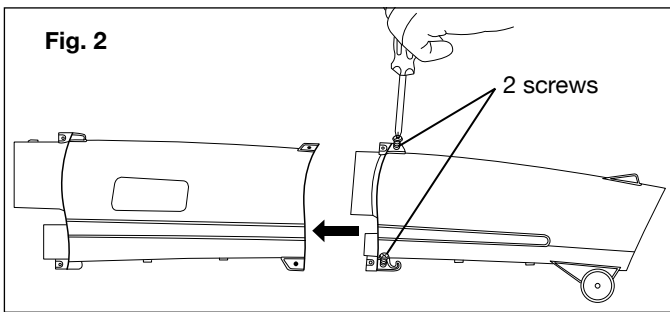
Note: Before using the blower/vacuum/leaf shredder, familiarise yourself with all the operating features and safety requirements.

Only use the blower/vacuum/leaf shredder as intended.

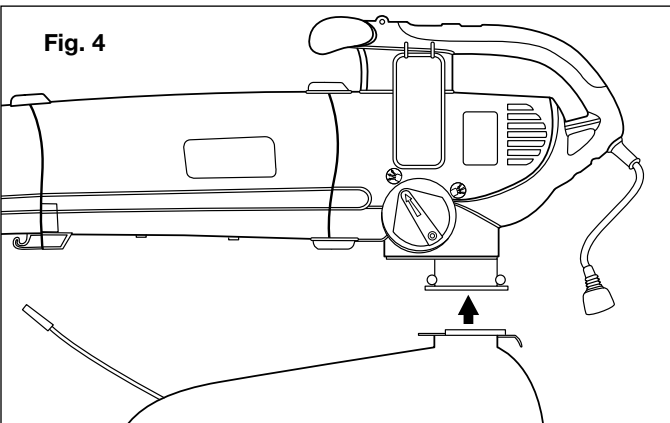
Assembling (Fig. 2-4)

1. Ensure that the lower/suction tube and the upper/suction tube is assembled using the 4 screws provided.

NOTE: Check the tubes are secure before operating the blower.



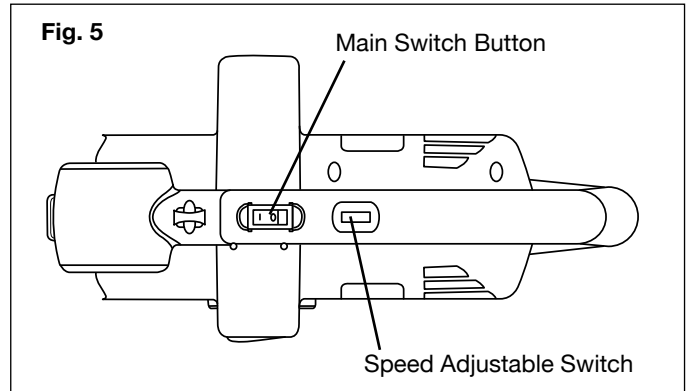
2. Connect the collection bag to the machine.



Powering ON and OFF (Fig. 5)

⚠ WARNING! Before switching on the tool, ensure that it is not in contact with any object.

1. To power on, push the instant start button.

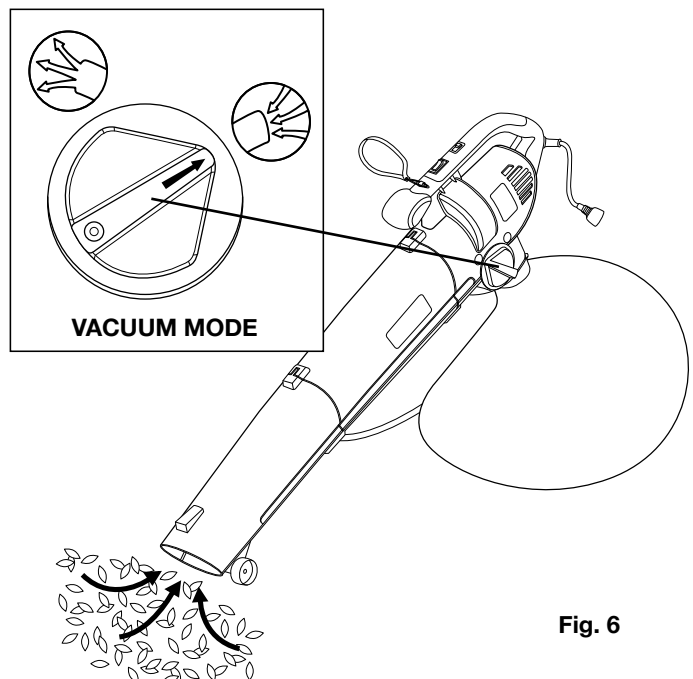


2. Stop the tool by pushing the Main switch button in "O" position. Low speed to high speed is from "1" to "6" by the adjustable switch.

⚠ WARNING! After switching off the tool the motor continues to run for a few seconds.

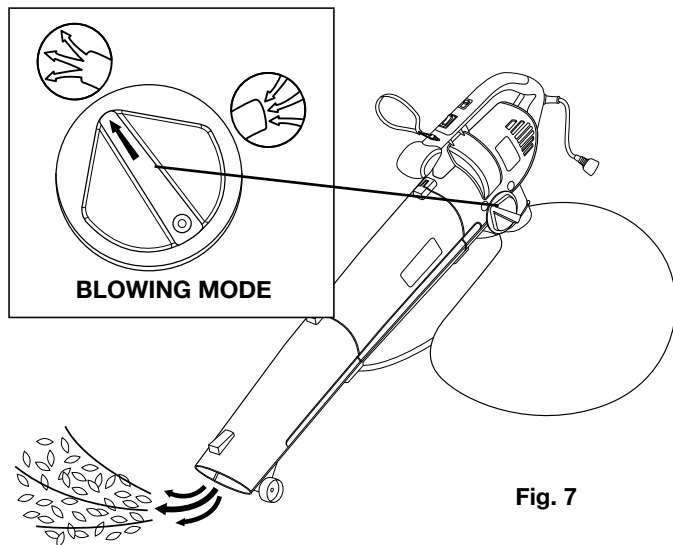
Vacuuming/Shredding (Fig. 6)

Ensure the tubes are assembled correctly before operating the unit. Make sure the collection bag is connected to the machine. Turn the transfer lever switch to VACUUM MODE. Turn unit on.

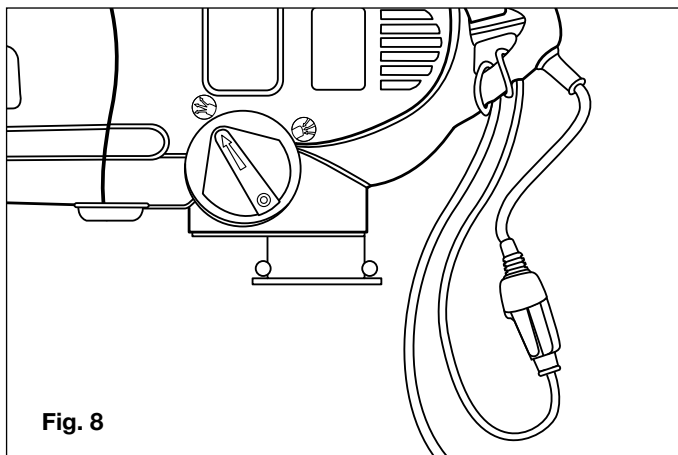


Blowing (Fig. 7)

Ensure the tubes are assembled correctly before operating.
Turn the transfer lever switch to BLOWING MODE. Turn unit on.



Cord restraint (Fig. 8)



- Hook the loop in the extension cord over restraint as illustrated.
- Pull tight to secure the extension cord.

⚠ WARNING! Do not vacuum solid objects such as stones, broken glass, pieces of metal.

- Do not vacuum liquids.
- Do not vacuum large volumes of leaf material at one time thus avoiding clogging of the vacuuming opening and blocking of the shredder impeller.
- The shredding intensity depends on the size of the leaf material and its residual moisture.

⚠ WARNING! When the tool suddenly stops, immediately switch it off, disconnect plug from power source, and remove any jammed material between shredder impeller and housing.

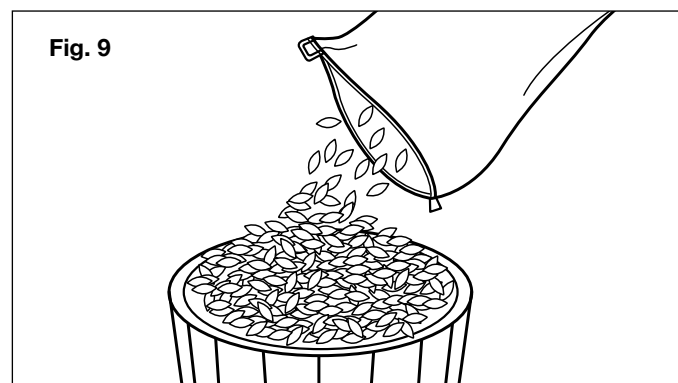
- Regularly empty collection bag (the vacuum capacity decreases considerably when the collection bag is full).

Holding and guiding the tool

⚠ WARNING! While working, always hold the tool at the light green-colored grip area(s).

- Use supporting wheels for easy guiding the tube along the ground.
- For optimal distance keep a 5-10 cm to the ground.

Emptying of collection bag (Fig. 9)



⚠ WARNING! Switch off the tool and disconnect the plug.

- Wait until the impeller comes to a standstill before removing the collection bag from the tool.
- Open the zipper of the collection bag and empty it completely.
- Composte material does not belong with domestic waste.

Maintenance/Service

1. This tool is not intended for professional use.
2. Always keep tool and cord clean.
 - Clean the tool after each use with a soft brush or a cloth (do not use cleaning agents or solvents).
 - Remove the collection bag after each use, turn inside out and clean it thoroughly.
 - After removing the collection bag, ensure that possible dirt residues are removed from the air outlet area.
3. Store the tool indoors in a dry place.
 - Do not cover the tool with plastic.
 - Plastic may cause moisture and corrosion will result.
4. If the tool should fail despite the care taken in manufacturing and testing procedures, repair should be carried out by an after-sales service centre for power tools.
 - Send the tool undismantled together with proof of purchase to your dealer.

Troubleshooting

⚠ WARNING! Always unplug the power cord before performing any adjustments, maintenance, or repairs to your blower/vacuum.

Problem	Cause	Remedy
The blower/vacuum/leaf shredder fails to operate	<ul style="list-style-type: none"> • No power supply • Plug not connected • Extension cord damaged • On/off switch defective • Worn carbon brushes • Defective motor • Blowing/vacuum tube not completely mounted 	<ul style="list-style-type: none"> • Check power supply (power cable, circuit breakers, fuses). • Connect the plug • Replace extension cord • Contact dealer/service station • Mount two-part blowing/vacuum tube
The blower/vacuum/leaf shredder operates intermittently	<ul style="list-style-type: none"> • On/off switch defective • Internal wiring defective • Impeller blocked by foreign object 	<ul style="list-style-type: none"> • Contact dealer/service station • Remove blockage
No/low blowing power	<ul style="list-style-type: none"> • Selector switch in vacuuming mode 	<ul style="list-style-type: none"> • Set selector switch in blowing mode
No/low vacuuming power	<ul style="list-style-type: none"> • Selector switch in blowing mode • Collection bag is full/dirty • Vacuuming opening clogged up or blocked by foreign object 	<ul style="list-style-type: none"> • Set selector switch in vacuuming mode • Empty/clean collection bag • Remove blockage

Environment

1. Do not dispose of electric tool, accessories and packaging together with household waste material.
2. The vibration emission level has been measured in accordance with a standardized test given in EN/ISO 3744; it may be used to compare one tool with another and as a preliminary assessment of exposure to vibration when using the tool for the applications mentioned.
 - Using the tool for different applications, or poorly maintained accessories, may significantly increase the exposure level.
 - The times when the tool is switched off or when it is running but not actually doing the job, may significantly reduce the exposure level.

⚠ WARNING! Protect yourself against the effects of vibration by maintaining the tool and its accessories, keeping your hands warm, and organizing your work patterns.

Service and Support

If your Snow Joe blower/vacuum requires service or maintenance, please call 1-866-766-9563 for assistance.

Model and Serial Numbers

When contacting the company or reordering parts, you will need to provide the model and serial numbers of your products. These are found on the decal affixed to the housing or at the bottom of your blower/vacuum/leaf shredder. Copy these numbers into the space provided below.

Record the following numbers from the housing or handle of your new product:

Model #:

S | B | J | 6 | 0 | 4 | E |

Serial #:



A Two-Year Full Warranty for residential use in the United States and Canada



General Conditions:

Snow Joe, LLC warrants this product to the original purchaser for two years against defects in material or workmanship when used for normal residential purposes. Snow Joe, LLC will repair any defect in material or workmanship, and repair or replace any defective part, subject to the conditions, limitations, and exclusions set forth herein. Such repair or parts replacement will be free from charge to the original purchaser except noted below.

The duration of the warranty applies only if the product is put to personal use around the household or residence. If the product is put to any business use, commercial or industrial, then the duration of this warranty is 90 days from the date of original purchase. If any product is rented or leased, the duration of the warranty is 90 days from the date of original purchase.

It is the owner's responsibility to perform correctly all maintenance, and minor adjustments explained in the owner's manual.

Electric Products:

To obtain a replacement electric powered unit or repair the existing electric powered unit, you must return the complete unit and postage prepaid to: **Snow Joe Return Center, 86 Executive Avenue, Edison, NJ 08817.**

Gasoline / Battery Products:

Limitations

- Batteries are warranted only for the period of 12 months after the date of purchase on a prorated basis. Rechargeable batteries will be replaced free from charge during the first 90 days. After the initial 90 days, batteries will be replaced at prorated cost to the customer
- Idlers, cables, and electrical components are warranted to the original purchaser for use at household or residence for a period of two years

Exclusions

- Snow Joe brand engines are covered under this warranty. All other engines and engine accessories are covered only by the engine manufacturer's warranty and are not covered by this warranty
- Parts used that are not genuine Snow Joe parts are not covered by this warranty
- Damages resulting from misuse, alteration, improper assembly, improper adjustment, neglect, or accident which requires repair is not covered under this warranty
- Belts, augers, and tines are not covered under warranty – belts, augers, and tines wear out and can be purchased at www.snowjoe.com or by calling 1-866-766-9563

Snow Joe, LLC may from time to time change the design of its products. Nothing contained in this warranty shall be construed as obligating Snow Joe, LLC to incorporate such design changes into previously manufactured products, nor shall such changes be construed as an admission that previous designs were defective.

This warranty is intended to cover product defects only. Snow Joe, LLC is not liable for indirect, incidental, or consequential damages in connection with the use of the Snow Joe Products covered by this warranty. This warranty does not cover any cost or expense incurred by the purchaser in providing substitute equipment or service during reasonable periods of malfunction or non-use of this product, while waiting for completion of repairs under this warranty. Some states do not allow exclusions of incidental or consequential damages, so the above exclusions may not apply in all states. This warranty may give you specific legal rights in your state.

**If you wish to contact Snow Joe, please direct inquiries to the:
Customer Service Department
Snow Joe Center
86 Executive Avenue
Edison, NJ 08817**

Customers who have purchased Snow Joe products exported from the United States and Canada should contact their Snow Joe Distributor (Dealer) to obtain information applicable for your country, province, or state. If for any reason, you are not satisfied with the distributor's service, or if you have difficulty obtaining warranty information, contact your Snow Joe seller. If in the event your efforts are unsatisfactory, please write to the Snow Joe Center at the above address.

If you have any questions about your product warranty, please call 1-866-SNOW-JOE or visit us online at www.snowjoe.com.