

### FEATURED MODEL

441183 Pull-Out Spray, CHROME

### ADDITIONAL MODELS

441184 Pull-Out Spray, SATIN NICKEL

### FEATURES

- Spray design adds a modern twist to our “classic” design
- Solid brass body and pull-out spray
- Ceramic disk cartridge
- Extra long supply lines
- 2.2 GPM flow rate
- Installation in a 1-3/8” hole
- Color coded hot and cold supply lines
- 120 degree spout swivel
- 1-5/8” maximum deck thickness

### OPTIONAL ACCESSORIES

Deluxe Soap Dispenser:	440006 (Chrome)
Meridian Soap Dispenser:	440059 (Chrome)
Alta Soap Dispenser:	440046 (Chrome)
Milano Soap Dispenser:	440050 (Chrome)
Harvest Soap Dispenser:	440054 (Chrome)

### CODE/STANDARDS COMPLIANCE

ASME A112.18.1-2011

IAPMO listed

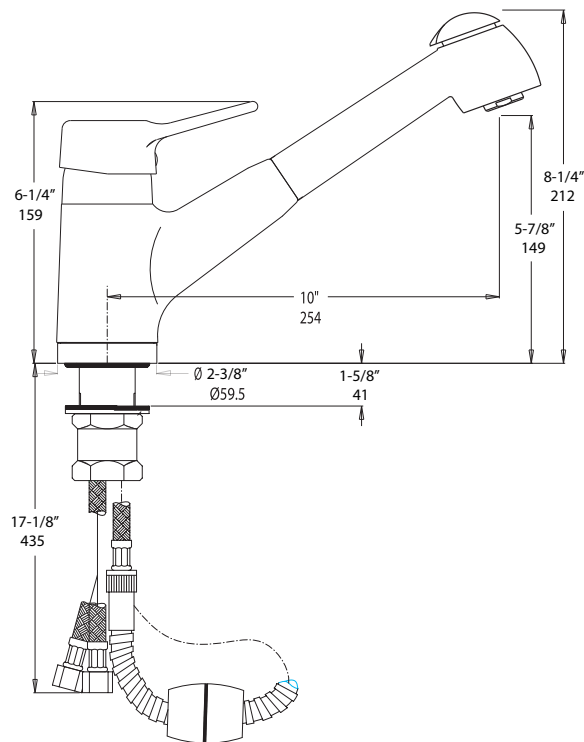
**AB1953 Lead Free**



Model 441183 shown

### NOMINAL DIMENSIONS

REACH	SPOUT HEIGHT	FAUCET HEIGHT
10"	5-7/8"	8-1/4"



### WARRANTY

BLANCO'S kitchen and bar faucets feature a LIMITED LIFETIME WARRANTY to be free of all manufacturing defects under normal use. See our complete warranty for details.

While BLANCO endeavors to provide accurate information, all dimensions are nominal, cannot be guaranteed, and are subject to change or cancellation. BLANCO assumes no responsibility for use of superseded or voided specifications.

### JOB INFORMATION

Job Name: \_\_\_\_\_

Contact: \_\_\_\_\_

Date Specified: \_\_\_\_\_

Specifier: \_\_\_\_\_

Contractor: \_\_\_\_\_

See next page for exploded parts drawing and parts list.

**BLANCO AMERICA**

800.451.5782

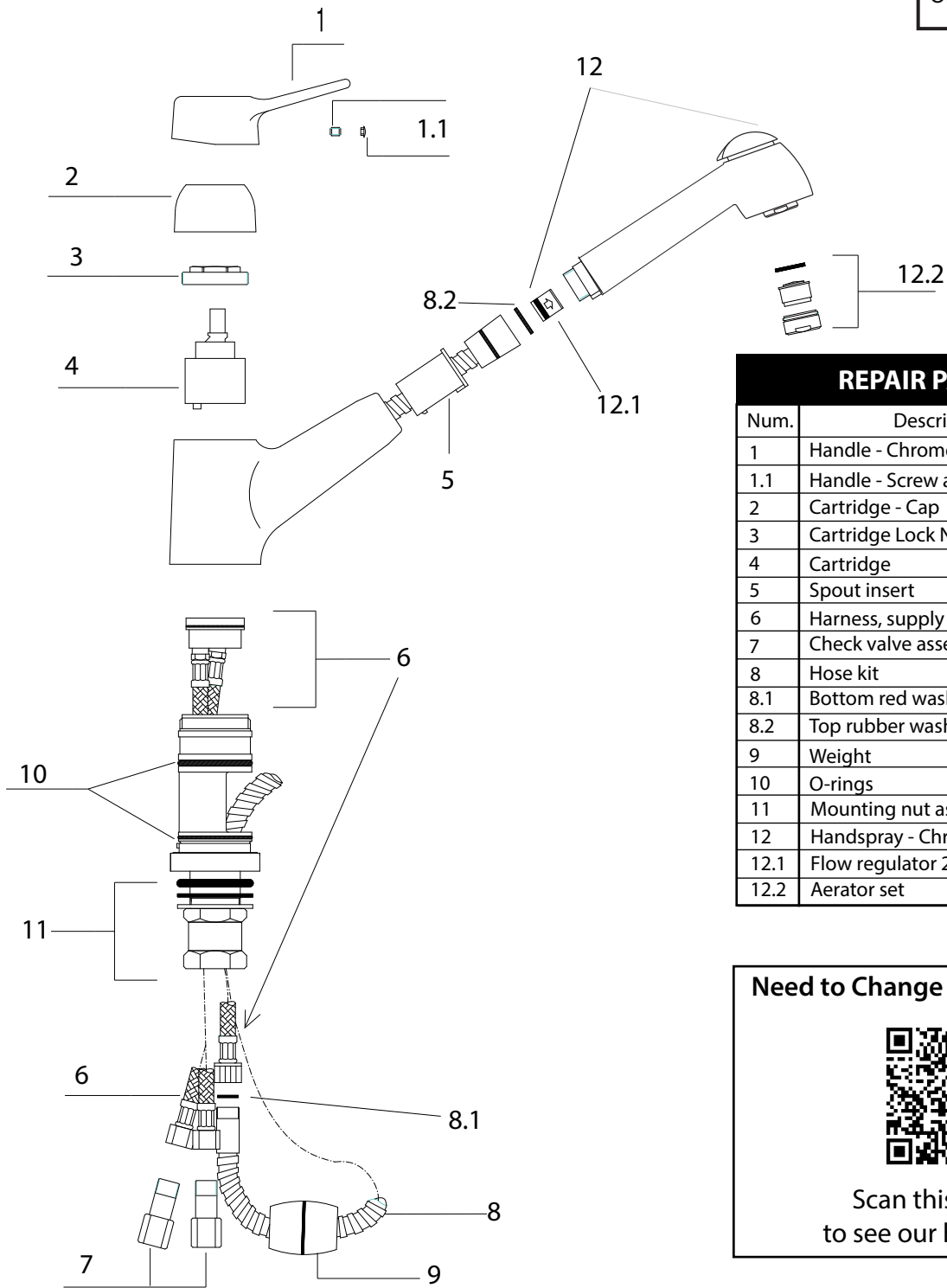
www.blancoamerica.com

© 2013 BLANCO AMERICA

11/14

SPEC-004

Old Model #: 157-074R-CR



REPAIR PART GUIDE		
Num.	Description	Part #
1	Handle - Chrome	441832
1.1	Handle - Screw and Cap	441778
2	Cartridge - Cap	441838
3	Cartridge Lock Nut	441839
4	Cartridge	440768
5	Spout insert	441826
6	Harness, supply tube, hose	440769
7	Check valve assembly	441802
8	Hose kit	440771
8.1	Bottom red washer	440759
8.2	Top rubber washer	440980
9	Weight	441803
10	O-rings	440979
11	Mounting nut assembly	441835
12	Handspray - Chrome	441235
12.1	Flow regulator 2.2 GPM	441801
12.2	Aerator set	440766

**Need to Change a Faucet Cartridge?**

Scan this QR code  
to see our how-to video

For faucet technical support or questions,  
please e-mail us at [faucets@blancoamerica.com](mailto:faucets@blancoamerica.com)