

**FEATURED MODEL**

512749 1-1/2 Bowl, 10" & 8" bowl depths

**FEATURES**

- Required outside cabinet: 33"
- Please make certain there is adequate countertop width to accomodate the substantial sink width (20")
- 18 gauge, 304 series stainless steel
- 18/10 chrome/nickel content
- Handcrafted from a single panel of stainless steel
- Zero radius corners
- Elegant and functional drain grooves
- Satin Polished Finish
- Sound deadening pads
- Rear drain placement

**OPTIONAL ACCESSORIES**

- Stainless Steel Sink Grid Large: 221015
- Stainless Steel Sink Grid Small: 221022
- Colander: 4218772

**CODE/STANDARDS COMPLIANCE**

ASME 112.19.3-00  
 IAPMO/UPC listed

**WARRANTY**

Blanco America's STEELART™ sinks feature a LIMITED LIFETIME WARRANTY to be free of all manufacturing defects under normal use. See our complete warranty for details.

While Blanco America endeavors to provide accurate information, all dimensions are nominal, cannot be guaranteed, and are subject to change or cancellation. Blanco America assumes no responsibility for use of superseded or voided specifications.

**JOB INFORMATION**

Job Name: \_\_\_\_\_  
 Contact: \_\_\_\_\_  
 Date Specified: \_\_\_\_\_  
 Specifier: \_\_\_\_\_  
 Contractor: \_\_\_\_\_

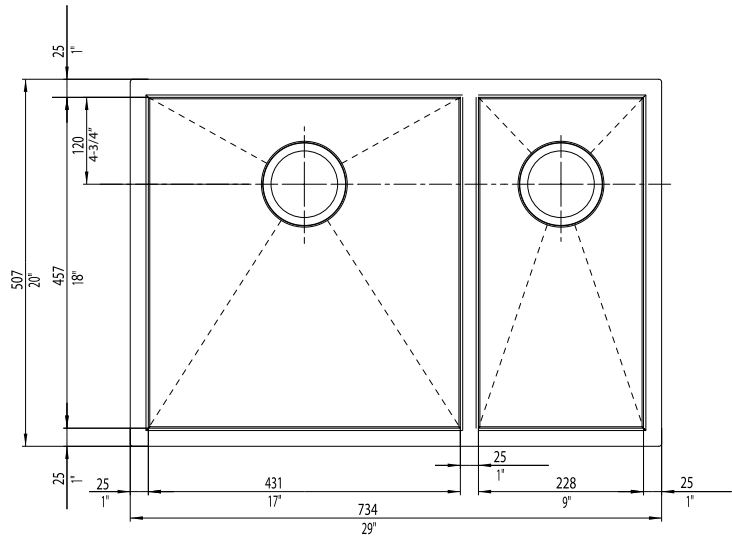


**NOMINAL DIMENSIONS**

Model 512749 shown

OVERALL	CUT OUT SIZE	BOWL DEPTHS		DRAIN
		LEFT	RIGHT	
29" x 20"	Template provided with approximate 1/8" reveal	10"	8"	3-1/2"

DXF cutout templates available on our website.



**BLANCO AMERICA**

800.451.5782  
 www.blancoamerica.com

© 2013 BLANCO AMERICA

7/13

SPEC-003