

FEATURED MODEL

440108 Double Bar, 7" & 7" bowl depths

ADDITIONAL MODELS

440105 Small Bar, 9" bowl depth
440103 Left Hand Bar, 7" bowl depth
440102 Right Hand Bar, 7" bowl depth

FEATURES

- 18 gauge, 304 series stainless steel
- 18/10 chrome/nickel content
- Long-lasting, easy-to-clean, satin polished finish
- Sound deadening pads
- Rear drain placement
- Required outside cabinet: 27"

OPTIONAL ACCESSORIES

Sink Grids: 220581, 220582
Colander: 514015

CODE/STANDARDS COMPLIANCE

ASME 112.19.3-00
IAPMO/UPC listed

WARRANTY

Blanco America's Stainless Steel sinks feature a **LIMITED LIFETIME WARRANTY** to be free of all manufacturing defects under normal use. See our complete warranty for details.

While Blanco America endeavors to provide accurate information, all dimensions are nominal, cannot be guaranteed, and are subject to change or cancellation. Blanco America assumes no responsibility for use of superseded or voided specifications.

PRODUCT SPECIFICATION

Undermount double bar sink to be double bowl design, 21-1/8" in length and 17-1/2" in front-to-back depth. Sink to be made from 18 gauge, 304 series stainless steel, with 18/10 chrome/nickel content and long-lasting, easy-to-clean, satin polished finish. Sink to feature rear drain placement. Sink to be Blanco Model 440108 with left bowl depth of 7" and right bowl depth of 7".

JOB INFORMATION

Job Name: _____

Contact: _____

Date Specified: _____

Specifier: _____

Contractor: _____

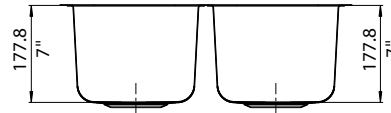
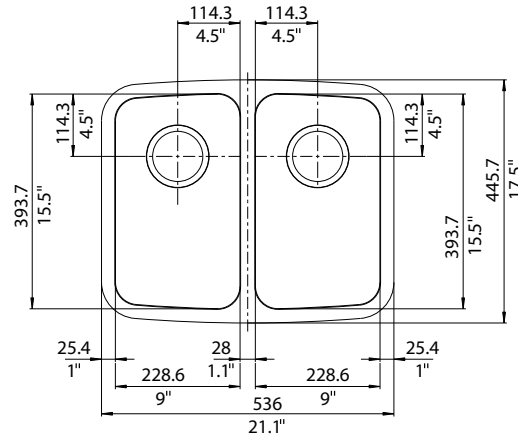


MODEL 440108

NOMINAL DIMENSIONS

MODEL	OVERALL	CUTOUT SIZE	BOWL DEPTH		DRAIN DIAMETER
			LEFT	RIGHT	
440108	21-1/8" x 17-1/2"	Template provided with approximate 1/8" reveal	7"	7"	3-1/2"

DXF cutout templates available on our website.



BLANCO AMERICA

800.451.5782
www.blancoamerica.com

© 2013 BLANCO AMERICA

6/13

SPEC-003