

FEATURED MODEL

513440 1-3/4 Bowl with Apron, 10" & 10" bowl depths

FEATURES

- Required outside cabinet: 39"
- Please make certain there is adequate countertop width to accommodate the substantial sink width (20")
- Requires custom installation
- 18 gauge, 304 series stainless steel
- 18/10 chrome/nickel content
- Handcrafted from a single panel of stainless steel
- Zero radius corners
- Elegant and functional drain grooves
- Satin Polished Finish
- Sound deadening pads
- Rear drain placement

OPTIONAL ACCESSORIES

| | |
|----------------------------------|----------------|
| Stainless Steel Sink Grid Large: | 221015 |
| Stainless Steel Sink Grid Small: | 221016 |
| Glass Cutting Board: | 218620 |
| Colanders: | 440492, 218772 |

CODE/STANDARDS COMPLIANCE

ASME 112.19.3-00
IAPMO/UPC listed

WARRANTY

Blanco America's STEELART™ sinks feature a LIMITED LIFETIME WARRANTY to be free of all manufacturing defects under normal use. See our complete warranty for details.

While Blanco America endeavors to provide accurate information, all dimensions are nominal, cannot be guaranteed, and are subject to change or cancellation. Blanco America assumes no responsibility for use of superseded or voided specifications.

JOB INFORMATION

Job Name: _____

Contact: _____

Date Specified: _____

Specifier: _____

Contractor: _____

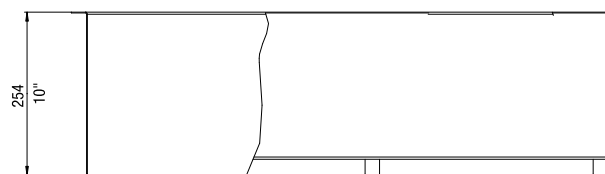
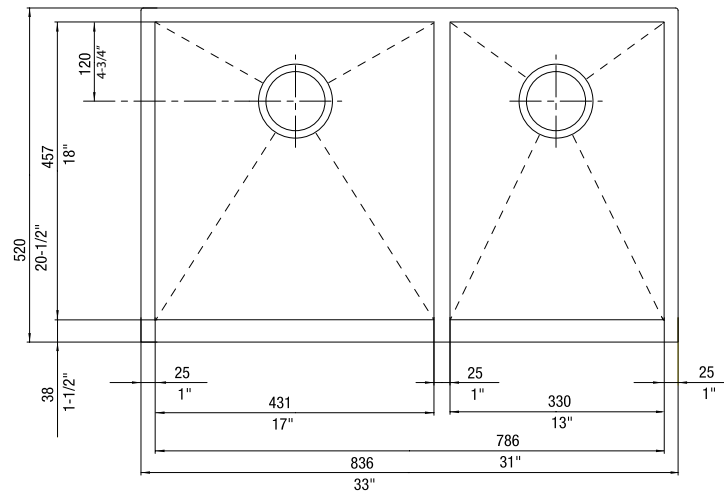


NOMINAL DIMENSIONS

Model 513440 shown

| OVERALL | BOWL DEPTHS | | DRAIN |
|-----------|-------------|-------|--------|
| | LEFT | RIGHT | |
| 33" x 20" | 10" | 10" | 3-1/2" |

DXF cutout templates available on our website.



BLANCO AMERICA

800.451.5782

www.blancoamerica.com

© 2013 BLANCO AMERICA

7/13

SPEC-003