

### FEATURED MODEL

441331 Semi-Professional, CHROME

### ADDITIONAL MODELS

441332 Semi-Professional, SATIN NICKEL



reddot design award  
product design

### FEATURES

- 2011 RED DOT Award-Winning Design
- Handle does not move back behind faucet; allows for close backsplash installation
- Flexible steel spring spout for easy usage
- Quick release magnetic hand spray will not demagnetize
- Dual spray feature
- Solid brass construction
- Ceramic disk cartridge
- 2.2 GPM flow rate
- Installation in a 1-3/8" hole
- 360 degree spout swivel
- 2" maximum deck thickness

### OPTIONAL ACCESSORIES

Deluxe Soap Dispenser:	440006 (Chrome)
Meridian Soap Dispenser:	440059 (Chrome)
Alta Soap Dispenser:	440046 (Chrome)
Milano Soap Dispenser:	440050 (Chrome)
Harvest Soap Dispenser:	440054 (Chrome)

### CODE/STANDARDS COMPLIANCE

ASME A112.18.1-2011  
NSF 61 certified  
NSF 61 ANEX G low lead requirements

**AB1953 Lead Free**

### WARRANTY

BLANCO'S kitchen and bar faucets feature a LIMITED LIFETIME WARRANTY to be free of all manufacturing defects under normal use. See our complete warranty for details.

While BLANCO endeavors to provide accurate information, all dimensions are nominal, cannot be guaranteed, and are subject to change or cancellation. BLANCO assumes no responsibility for use of superseded or voided specifications.

### JOB INFORMATION

Job Name: \_\_\_\_\_

Contact: \_\_\_\_\_

Date Specified: \_\_\_\_\_

Specifier: \_\_\_\_\_

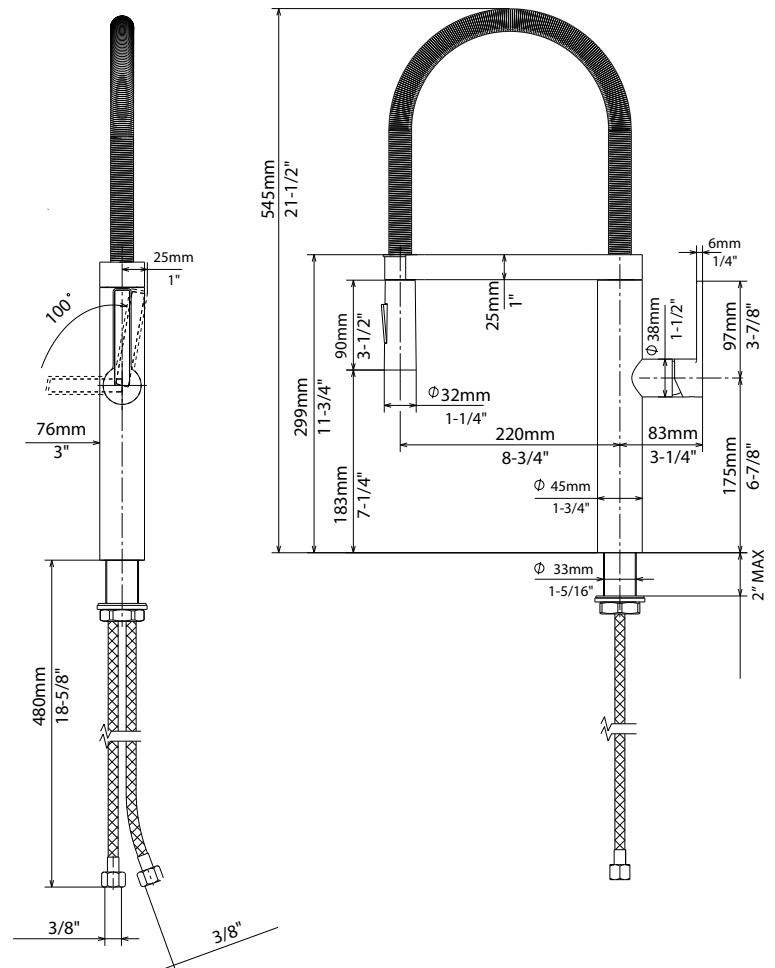
Contractor: \_\_\_\_\_



### NOMINAL DIMENSIONS

Model 441331 shown

REACH	SPOUT HEIGHT	FAUCET HEIGHT
8-5/8"	7-1/4"	21-1/2"



See next page for exploded parts drawing and parts list.

**BLANCO AMERICA**

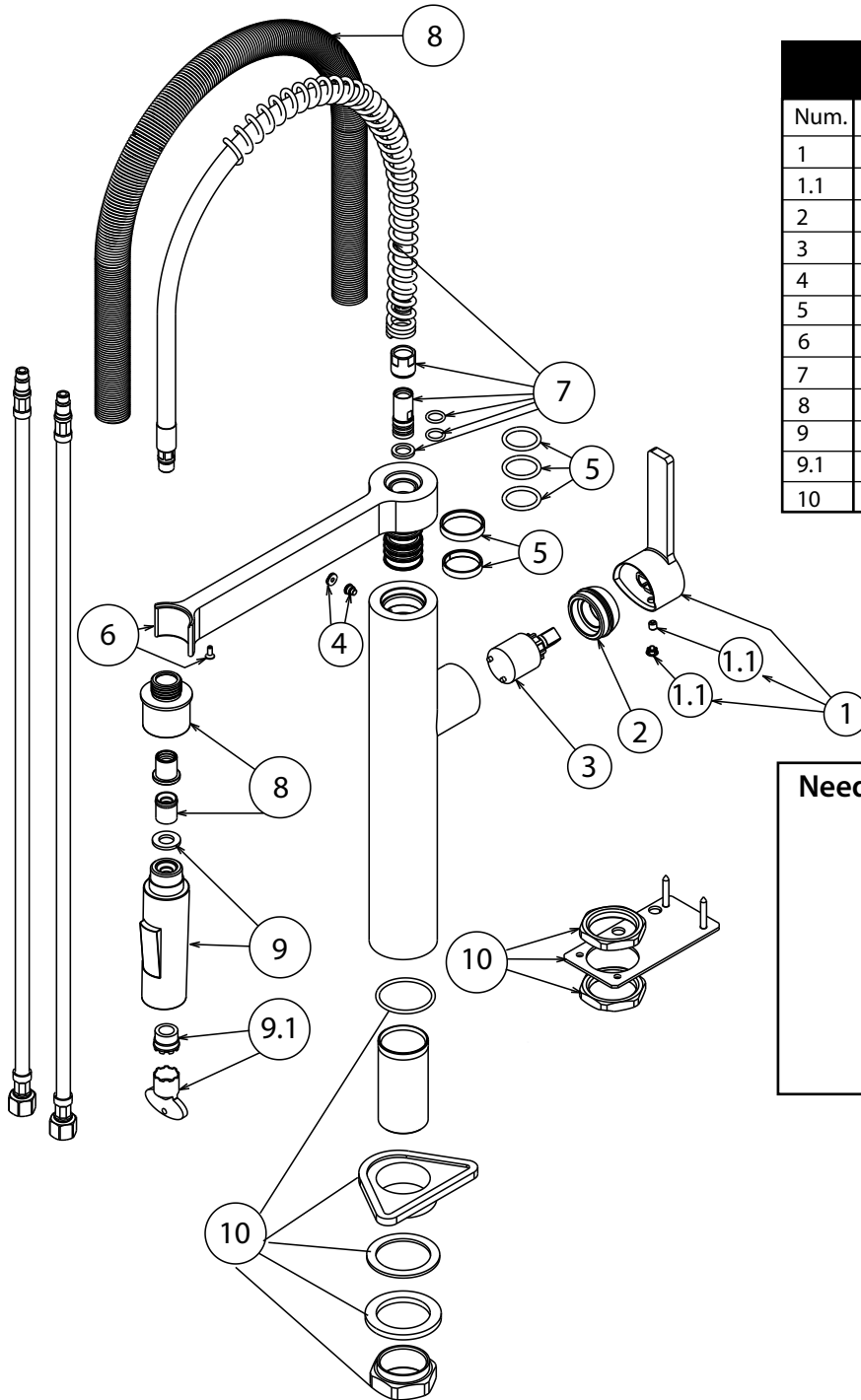
800.451.5782

www.blancoamerica.com

© 2013 BLANCO AMERICA

7/13

SPEC-003



REPAIR PART GUIDE		
Num.	Description	Part #
1	Handle - Chrome	441342
1.1	Handle - Screw and Cap	
2	Cartridge Lock Nut - Chrome	441344
3	Cartridge	441346
4	Body cover and screw - Chrome	441347
5	O-ring kit	441349
6	Docking arm w/ magnet - Chrome	441386
7	Spray hose assembly	441350
8	Coil assembly	441351
9	Handspray - Chrome	441352
9.1	Aerator and tool	441354
10	Mounting hardware	441355

**Need to Change a Faucet Cartridge?**

Scan this QR code  
to see our how-to video

For faucet technical support or questions,  
 please e-mail us at [faucets@blancoamerica.com](mailto:faucets@blancoamerica.com)