

**FEATURED MODEL**

516220 Medium Equal Double, 10" bowl depths

**FEATURES**

- Required outside cabinet: 36"
- 18 gauge, 304 series stainless steel
- 18/10 chrome/nickel content
- Stylish drain grooves for improved functionality
- Satin Polished Finish
- Sound deadening pads
- Rear drain placement

**OPTIONAL ACCESSORIES**

- Stainless Steel Sink Grids: 224403
- Glass Cutting Board: 224390
- Colanders: 224387, 440492

**CODE/STANDARDS COMPLIANCE**

ASME 112.19.3-00  
IAPMO/UPC listed

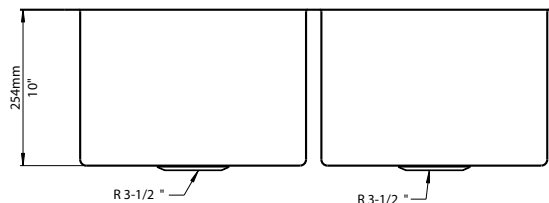
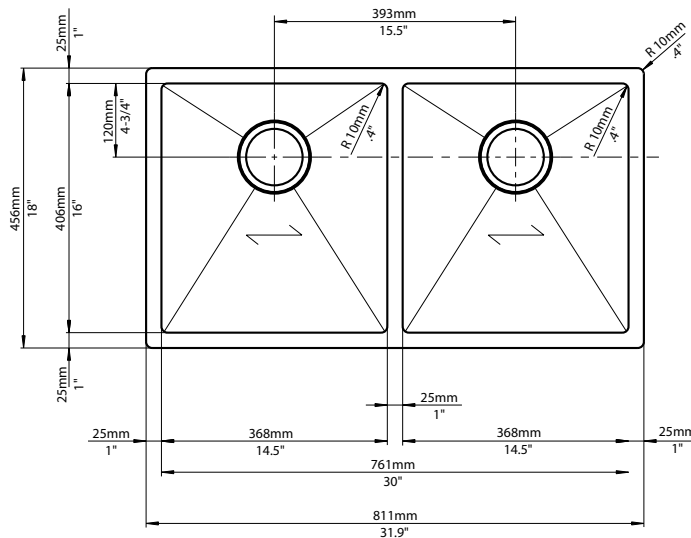


**NOMINAL DIMENSIONS**

Model 516220 shown

OVERALL	CUT OUT SIZE	BOWL DEPTHS	DRAIN
		LEFT	RIGHT
32" x 18"	Template provided with approximate 1/8" reveal	10"	10"
			3-1/2"

DXF cutout templates available on our website.



**WARRANTY**

Blanco America's STEELART™ sinks feature a LIMITED LIFETIME WARRANTY to be free of all manufacturing defects under normal use. See our complete warranty for details.

While Blanco America endeavors to provide accurate information, all dimensions are nominal, cannot be guaranteed, and are subject to change or cancellation. Blanco America assumes no responsibility for use of superseded or voided specifications.

**JOB INFORMATION**

Job Name: \_\_\_\_\_

Contact: \_\_\_\_\_

Date Specified: \_\_\_\_\_

Specifier: \_\_\_\_\_

Contractor: \_\_\_\_\_

**BLANCO AMERICA**

800.451.5782

www.blancoamerica.com

© 2013 BLANCO AMERICA

7/13

SPEC-003