

### FEATURED MODEL

440101 Small, 9" & 7" bowl depths

### ADDITIONAL MODELS

440115 Large, 10" & 7" bowl depths

440114 Large Reverse, 7" & 10" bowl depths

### FEATURES

- 18 gauge, 304 series stainless steel
- 18/10 chrome/nickel content
- Long-lasting, easy-to-clean, satin polished finish
- Sound deadening pads
- Rear drain placement
- Required outside cabinet: 33"

### CODE/STANDARDS COMPLIANCE

ASME 112.19.3-00

IAPMO/UPC listed

### OPTIONAL ACCESSORIES

Sink Grids: 220579, 220582

Cutting Board: 440154

Colander: 514015

### WARRANTY

Blanco America's BLANCO PERFORMA™ sinks feature a LIMITED LIFETIME WARRANTY to be free of all manufacturing defects under normal use. See our complete warranty for details.

While Blanco America endeavors to provide accurate information, all dimensions are nominal, cannot be guaranteed, and are subject to change or cancellation. Blanco America assumes no responsibility for use of superseded or voided specifications.

### PRODUCT SPECIFICATION

Undermount small sink to be 1-1/2 bowl design, 27-1/8" in length and 17-1/2" in front-to-back depth. Sink to be made from 18 gauge, 304 series stainless steel, with 18/10 chrome/nickel content and long-lasting, easy-to-clean, satin polished finish. Sink to feature rear drain placement. Sink to be Blanco Model 440101 with left bowl depth of 9" and right bowl depth of 7".

### JOB INFORMATION

Job Name: \_\_\_\_\_

Contact: \_\_\_\_\_

Date Specified: \_\_\_\_\_

Specifier: \_\_\_\_\_

Contractor: \_\_\_\_\_

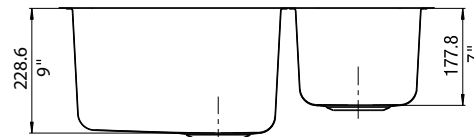
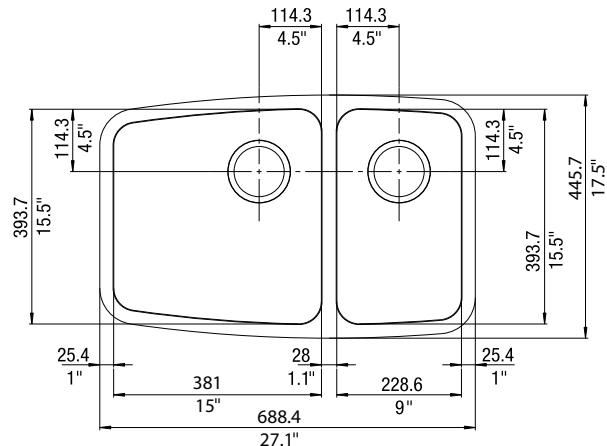


MODEL 440101

### NOMINAL DIMENSIONS

MODEL	OVERALL	CUTOUT SIZE	BOWLDEPTH		DRAIN DIAMETER
			LEFT	RIGHT	
440101	27-1/8" x 17-1/2"	Template provided with approximate 1/8" reveal	9"	7"	3-1/2"

DXF cutout templates available on our website.



### BLANCO AMERICA

800.451.5782

www.blancoamerica.com

© 2013 BLANCO AMERICA

6/13

SPEC-003