

FEATURED MODEL

440688 BLANCOALTA™ Bar Faucet in Polished Chrome

ADDITIONAL MODELS

440687 Stainless (Satin Nickel)

FEATURES

- AB1953 compliant and listed with NSF
- Cold water only
- Solid brass body
- Ceramic disc cartridge
- Extra long supply lines
- 2.2 G.P.M. flow rate
- Installation in a 1-3/8" hole

CODE/STANDARDS COMPLIANCE

ASME 112.18.1M-2003

NSF/ANSI STANDARD 61 ANNEX G

Americans with Disabilities Act Section 309

WARRANTY

Blanco America's Bar faucets feature a LIMITED LIFETIME WARRANTY to be free of all manufacturing defects under normal use. See our complete warranty for details.

While Blanco America endeavors to provide accurate information, all dimensions are nominal, cannot be guaranteed, and are subject to change or cancellation. Blanco America assumes no responsibility for use of superseded or voided specifications.

PRODUCT SPECIFICATION

Cold water only bar faucet to include solid brass body, minimalist lever handle, and ceramic disc cartridge. Faucet dimensions to be as follows: Reach: 3-1/2"; Spout Height: 6". Reversible mounting hardware to adapt to thick or thin mounting surfaces. Bar faucet to be BLANCOALTA™

JOB INFORMATION

Job Name: _____

Contact: _____

Date Specified: _____

Specifier: _____

Contractor: _____

Polished Chrome 440688

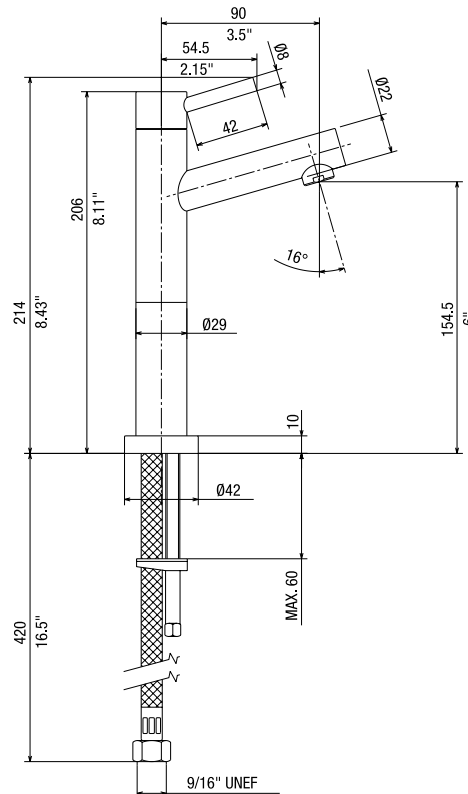
Stainless (Satin Nickel) 440687



Model 440688

NOMINAL DIMENSIONS

MODEL	REACH	SPOUT HEIGHT	FAUCET HEIGHT
440688	3-1/2	6	8-1/2



See next page for exploded parts drawing and parts list.

BLANCOALTA™
Model 440688

