



SINK SPECIFICATIONS
SILGRANIT®II
BLANCO PRECIS™ SUPER SINGLE Under Mount
Model 440147

FEATURED MODEL

440147 PRECIS SUPER SINGLE Under Mount CAFE BROWN

ADDITIONAL MODELS

440149 PRECIS SUPER SINGLE Under Mount ANTHRACITE

440148 PRECIS SUPER SINGLE Under Mount METALLIC GRAY

441297 PRECIS SUPER SINGLE Under Mount TRUFFLE

441299 PRECIS SUPER SINGLE Under Mount BISCOTTI

440150 PRECIS SUPER SINGLE Under Mount WHITE

440151 PRECIS SUPER SINGLE Under Mount BISCUIT

441478 PRECIS SUPER SINGLE Under Mount CINDER

FEATURES

- Required Outside Cabinet: 36"
- 80% solid granite
- Heat resistant up to 536°F
- Unsurpassed cleanability backed by industry leading 7 patents!
- Resistant to scratches, stains and all household acids and alkali solutions
- Template provided with approximate 1/8" reveal
- Under mount clips provided
- Limited lifetime warranty

OPTIONAL ACCESSORIES

Stainless Steel Grid: 221206

Colander: 440492

Steel Colander: 513730

Glass Cutting Board: 218620

CODE/STANDARDS COMPLIANCE

ANSI Z124.6-97

IAPMO/UPC listed

WARRANTY

BLANCO'S SILGRANIT II Series sinks feature a LIMITED LIFETIME WARRANTY to be free of all manufacturing defects under normal use. See our complete warranty for details.

While BLANCO endeavors to provide accurate information, all dimensions are nominal, cannot be guaranteed, and are subject to change or cancellation. BLANCO assumes no responsibility for use of superseded or voided specifications.

JOB INFORMATION

Job Name: _____

Contact: _____

Date Specified: _____

Specifier: _____

Contractor: _____

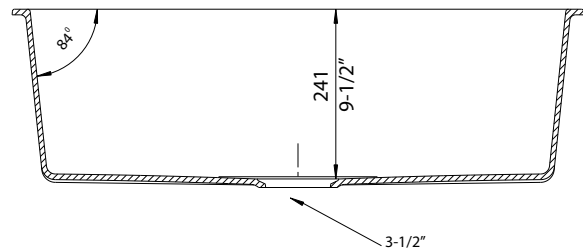
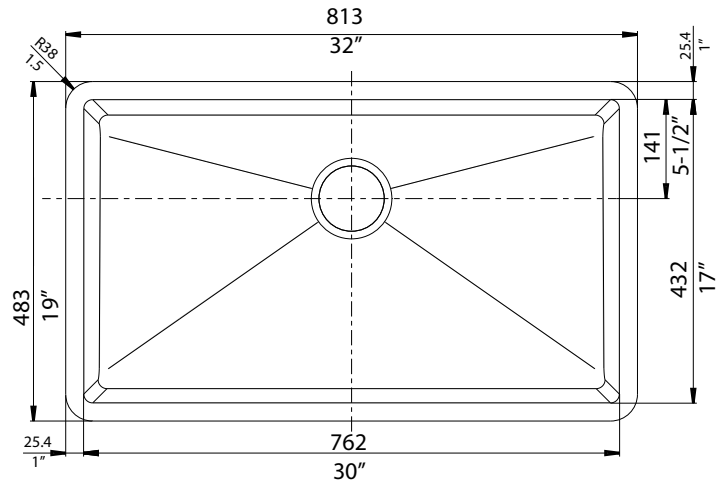


Model 440149 shown

NOMINAL DIMENSIONS

OVERALL	CUTOUT SIZE	BOWL DEPTH	DRAIN DIAMETER
32 x 19	Template provided with approximate 1/8" reveal	9-1/2	3-1/2

DXF cutout templates available on our web site.



BLANCO AMERICA
800.451.5782
www.blancoamerica.com