

METERING FAUCETS
5" GOOSENECK SPOUT WIDESPREAD
0.5 GPM NON-AERATED SPRAY



GENERAL DESCRIPTION:

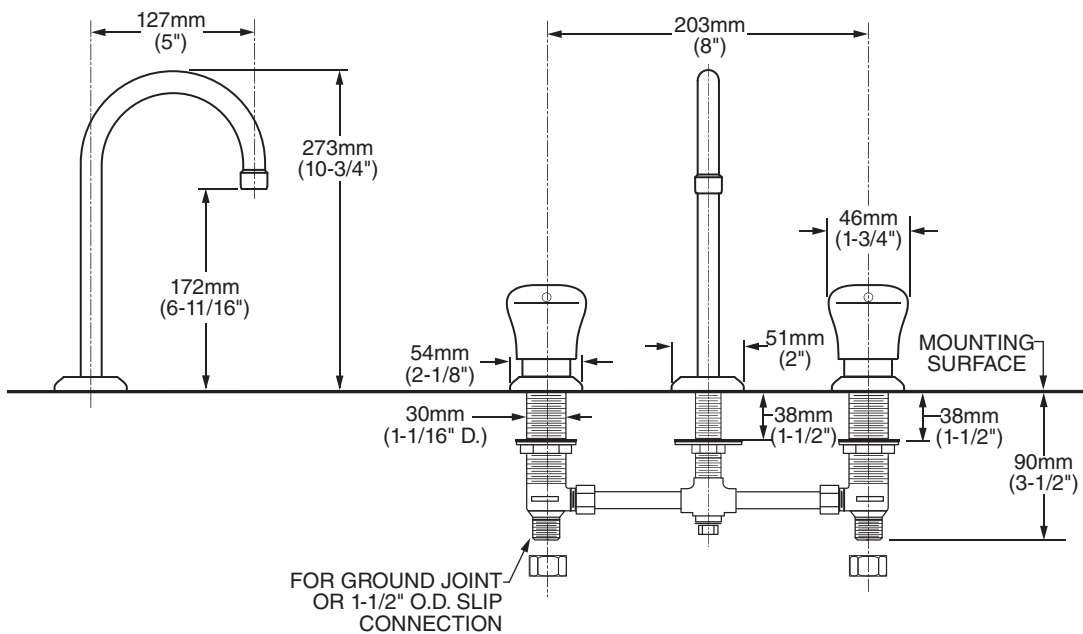
Metering widespread with rigid gooseneck faucet. Vandal-resistant solid brass construction. Easy-push handles. Water conserving pressure compensating 0.5 GPM vandal-resistant non-aerated spray. Factory set for a maximum of 0.083 gallon flow per activation. Replaceable cartridge. Adjustable flow cycle.

MODEL NUMBER:

- **1340.857** 5" Rigid gooseneck spout, 0.5 GPM pressure compensating, vandal-resistant non-aerated spray

PRODUCT FEATURES:

- **Meets CALGreen:** Delivers 0.083 gallons per cycle which is a 59% water savings from CALGreen baseline.
- **Pressure Compensating Non-Aerated Spray:** Provides a constant water flow of 0.5 gpm throughout the pressure range.
- **Vandal-Resistant Brass Construction and Spray:** Durable - Excellent in high use applications.
- **Automatic Shut-off:** Stops water and energy waste. Ideal for public restrooms where uncontrolled water usage is costly.
- **Meets ADA Standard:** Requires less than 5 lbs. of operating force to initiate flow per ANSI A117.1.
- **Adjustable Flow Cycle**
- **Replaceable Valve Cartridge:** Facilitates simple replacement.
- **Hot/Cold Button Indicators**
- **Lead Free:** Faucet contains $\leq 0.25\%$ total lead content by weighted average.



SUGGESTED SPECIFICATION

Metering faucet shall feature a vandal-resistant brass construction with a replaceable valve cartridge and an adjustable flow cycle. Shall also feature a water-conserving, pressure compensating 0.5 gpm/1.9L/min vandal-resistant non-aerated spray. Factory set to deliver 0.083 gallons per cycle to meet CALGreen. Push button activator shall meet ANSI A117.1 Standard. Fitting shall be American Standard Model # 1340.857.002.

METERING FAUCETS
5" GOOSENECK SPOUT WIDESPREAD
0.5 GPM NON-AERATED SPRAY

CODES AND STANDARDS

These products meet or exceed the following codes and standards:

- ANSI A117.1**
- ASME A112.18.1**
- CSA B 125**
- NSF 61/Section 9 and Annex G**
- CALGreen**



MEETS THE AMERICANS WITH DISABILITIES ACT GUIDELINES AND ANSI A117.1 REQUIREMENTS FOR ACCESSIBLE AND USABLE BUILDING FACILITIES-CHECK LOCAL CODES

