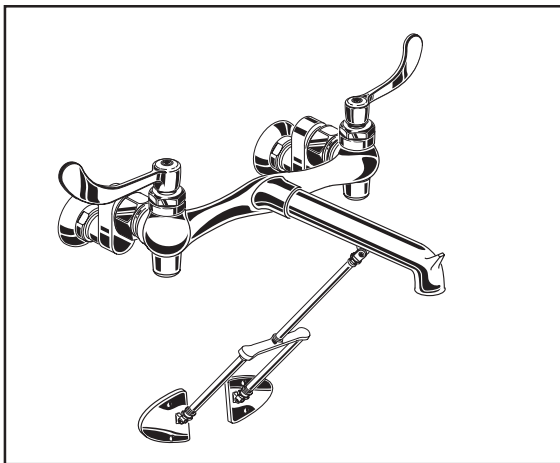
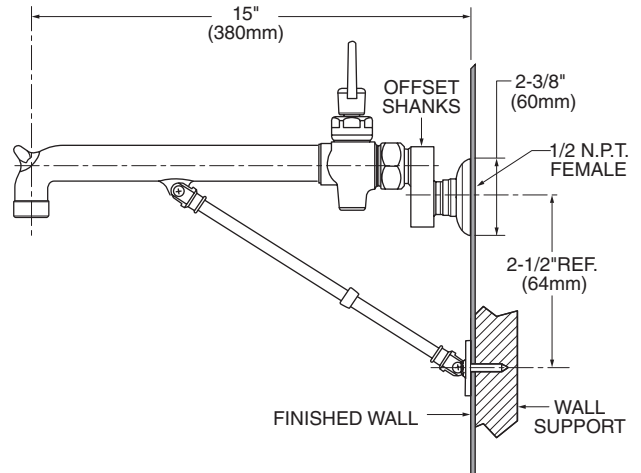
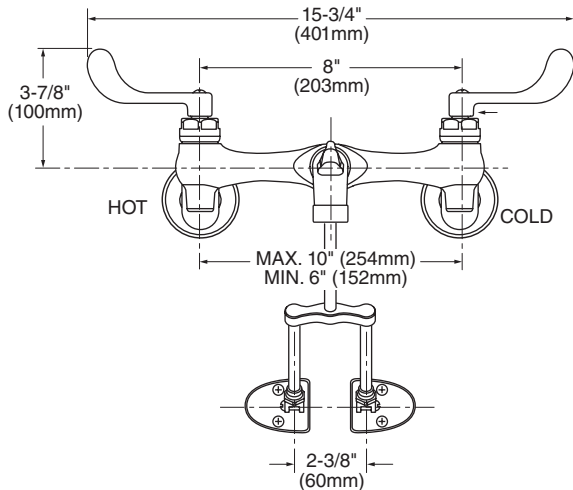


**EXPOSED YOKE WALL-MOUNT
UTILITY FAUCET**
WITH BOTTOM FORK BRACE & OFFSET SHANKS



MODEL NUMBER:

- **8345.115 Exposed Yoke Wall-Mount Utility Faucet**
Bottom fork brace. 11" cast brass spout with plain end. Ceramic disc valves. Integral supply stops. Offset shanks with integral check valves. Vandal-resistant Wrist Blade Handles. Bucket hook. 1/2" NPT female inlets. Adjustable centers-to-centers: 6" - 10" (152mm - 254mm).



GENERAL DESCRIPTION:

Cast brass body. Metal wrist blade handles with red and blue color indicators and vandal-resistant screws. 1/4 turn ceramic disc valve cartridges. Brass spout with bucket hook, bottom fork braced to wall. Integral supply stops. Offset shanks with integral check valves to prevent cross-flow. 1/2" female inlets with adjustable centers from 6" to 10" (152mm to 254mm).

PRODUCT FEATURES:

- Cast Brass Construction:** Durable - Excellent in high use applications.
- Ceramic Disc Valve Cartridges:** Assure a lifetime of drip-free performance.
- Integral Supply Stops:** Permits easy and convenient access.
- Offset Shanks with Integral Check Valves:** Adjustable rough-in from 6 to 10 inches.
- Bottom Brace:** Provides additional support.

SUGGESTED SPECIFICATION

Exposed yoke wall-mount utility faucet shall feature a cast brass body with integral supply stops. Cast brass spout with bucket hook, bottom brace and vandal-resistant metal wrist blade handles. 15" reach from wall to spout outlet. Offset shanks with integral check valves to prevent cross-flow, provide adjustable rough-in from 6"-10" (152mm to 254mm). Shall also feature 1/4 turn washerless ceramic disc valve cartridges. Fitting shall be American Standard Model # 8345.115.002.

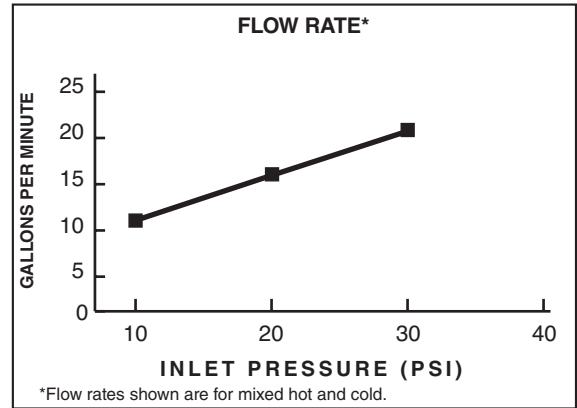
EXPOSED YOKE WALL-MOUNT UTILITY FAUCET

WITH BOTTOM FORK BRACE & OFFSET SHANKS

CODES AND STANDARDS

These products meet or exceed the following codes and standards:

- ASME A112.18.1
- CSA B 125
- ANSI A117.1



Product Number	Description	Finish
		Polished Chrome 002
8345.115	Exposed yoke wall-mount utility faucet. Bottom fork brace. Ceramic disc valves. 11" spout with plain end. Integral supply stops. Offset shanks with integral check valves. Vandal-resistant wrist blade handles.	



Meets the American Disabilities Act Guidelines and **ANSI A117.1** Requirements for the physically challenged.