

MADERA™ FloWise® 16-1/2" HIGH 1.28 GPF FLUSHOMETER TOILET SYSTEM

with EVERCLEAN®
SELECTRONIC® EXPOSED AC FLUSH VALVE

MADERA™ FloWise® 16-1/2" HIGH 1.28 GPF FLUSHOMETER TOILET SYSTEM with EVERCLEAN®

- 3461.712 1.28 gpf 16-1/2" High Top Spud Bowl and Selectronic® Exposed AC Flush Valve

BOWL:

- Floor mount elongated flushometer valve toilet
- Vitreous china
- High Efficiency, Low Consumption. Operates in the range of 1.1 gpf to 1.6 gpf (4.2 Lpf to 6.0 Lpf)
- Permanent EverClean® surface inhibits the growth of stain- and odor-causing bacteria, mold, and mildew on the surface
- 16-1/2" rim height for accessible application
- Powerful direct-fed siphon jet action
- Fully glazed 2-1/8" trapway
- Condensation channel
- 10" or 12" rough-in
- 10" x 12" water surface area
- 1-1/2" inlet spud
- 100% factory flush tested
- Less toilet seat
- Model 3461.001

SELECTRONIC® FLUSH VALVE:

- Electronic flush valve with Selectronic® proximity system for hygienic "Hands Free" operation
- Self-Cleaning Piston with integral wiper spring helps prevent clogging and reduces maintenance
- Piston operation delivers superior flush accuracy and repeatability
- Fully Mechanical Manual Override - allows valve to flush during a power failure
- Fail-Safe Operation - valve automatically closes, and does not need to be reset, on loss of power or water pressure
- Adjustable Sanitary Flush - valve automatically flushes after 24 hours of non-use to clean fixture and maintain trap seal
- Chemical resistant EPDM seals are unaffected by chloramines
- Sensor & electronic controls are fully enclosed and water resistant
- Range can be adjusted manually or with optional remote control
- Includes UL approved hardwired AC transformer
- Input Voltage: 100 - 250 VAC, 50 / 60 Hz. Output Voltage: 6 VDC
- Adjustable tailpiece for rough-in flexibility
- Can be installed left or right hand
- Model 6067.121.002

Includes:

- 047007-0070A Inlet Spud (furnished with bowl)
- 481310-100 2 Bolt caps with retainers (furnished with bowl)
- Inlet includes 1" I.P.S. angle stop with back-flow protection, and vandal-resistant cap
- 1" Sweat solder kit, cover tube and wall flange
- Outlet includes 1-1/2" vacuum breaker with spud coupling and flange



SEE REVERSE FOR ROUGHING-IN DIMENSIONS

High-Efficiency Toilet System

- 20% water savings when compared to 1.6 gpf toilet systems

System MaP Score:

- 1000 grams of miso @ 1.28 gpf

Operating Pressure:

Overall Range: 20-125 psi**

Recommended: 25 psi (flowing)-80 psi (static)

** Water pressure over 80 psi is not recommended for most plumbing fixtures.

Flow Requirement:

25gpm (94.6 L/min.)

Nominal Fixture Dimensions:

718 x 356 x 419mm (28-1/4" x 14" x 16-1/2")

To Be Specified:

- Color: White
- Seat:
 - American Standard #5901.100
Heavy duty open front less cover
 - American Standard #5905.100
Extra heavy duty open front less cover



MADERA™ FloWise® 16-1/2" HIGH 1.28 GPF FLUSHOMETER TOILET SYSTEM

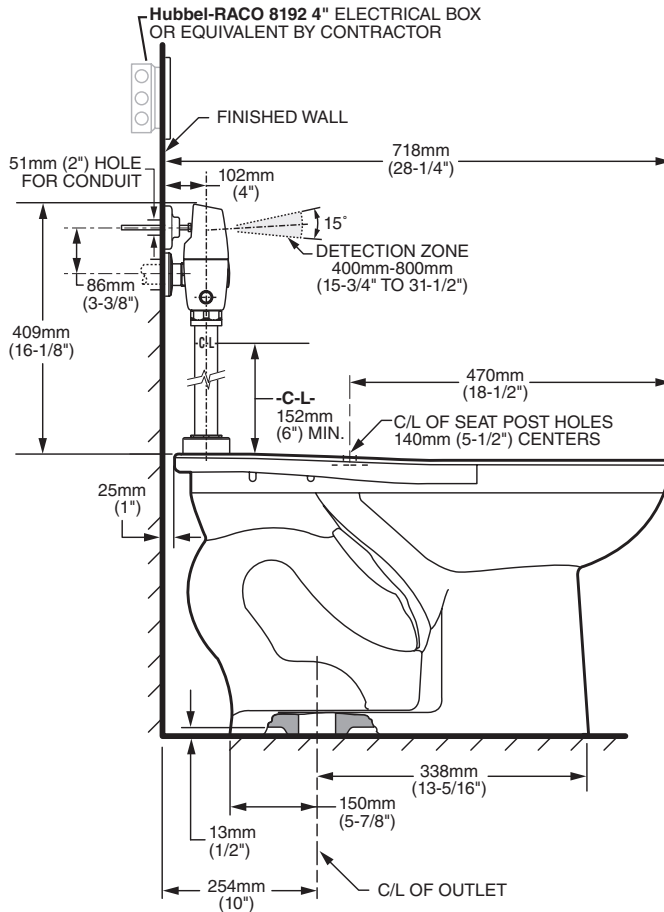
with EVERCLEAN®
SELECTRONIC® EXPOSED AC FLUSH VALVE

Fixture Compliance Certifications - Meets or Exceeds the Following Specifications:

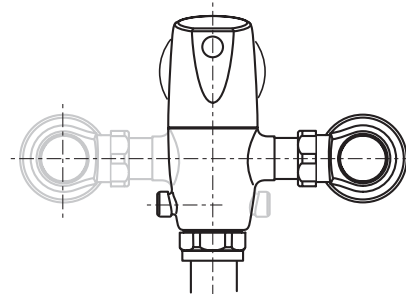
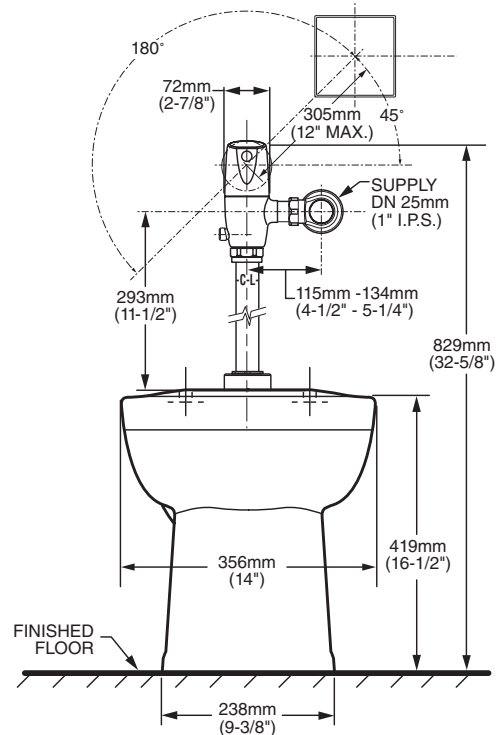
- ASME A112.19.2-2008 / CSA B45.1-08 for Vitreous China Fixtures

Valve Listings:

- ASSE 1037
- ANSI/ASME A112.19.2
- ADA Compliant



*Note: The Critical Line (-C-L) on Vacuum Breaker must typically be a minimum of 152mm (6") above fixture. Consult Codes for details.



VALVE LEFT or RIGHT HAND INSTALLATION



MEETS THE AMERICANS WITH DISABILITIES ACT GUIDELINES AND ANSI A117.1 REQUIREMENTS FOR ACCESSIBLE AND USABLE BUILDING FACILITIES - CHECK LOCAL CODES.

NOTES:

TO COMPLY WITH AREA CODE GOVERNING THE HEIGHT OF VACUUM BREAKER ON THE FLUSHOMETER VALVE, THE PLUMBER MUST VERIFY DIMENSIONS SHOWN FOR SUPPLY ROUGHING. THIS TOILET DESIGNED TO ROUGH-IN AT A MINIMUM DIMENSION OF 254MM (10") AND A MAXIMUM DIMENSION OF 305MM (12") FROM FINISHED WALL TO C/L OF OUTLET.

IMPORTANT: Dimensions of fixtures are nominal and may vary within the range of tolerances established by ANSI Standard A112.19.2. These measurements are subject to change or cancellation. No responsibility is assumed for use of superseded or voided pages.