

Monterrey Kitchen Faucets
**SINGLE CONTROL KITCHEN FAUCET
WITH REMOTE VALVE**

*Thank you for selecting American-Standard...
the benchmark of fine quality for over 100 years.*

*To ensure that your installation proceeds smoothly...
please read these instructions carefully before you begin.*



Certified to comply with ANSI A112.18.1M
M965143 REV.1.1

**RECOMMENDED
TOOLS**



Adjustable Wrench



Regular Screwdriver



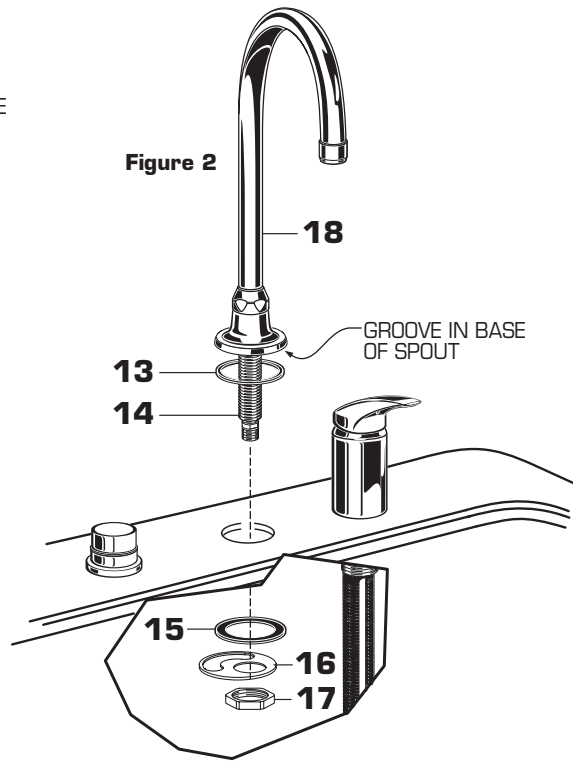
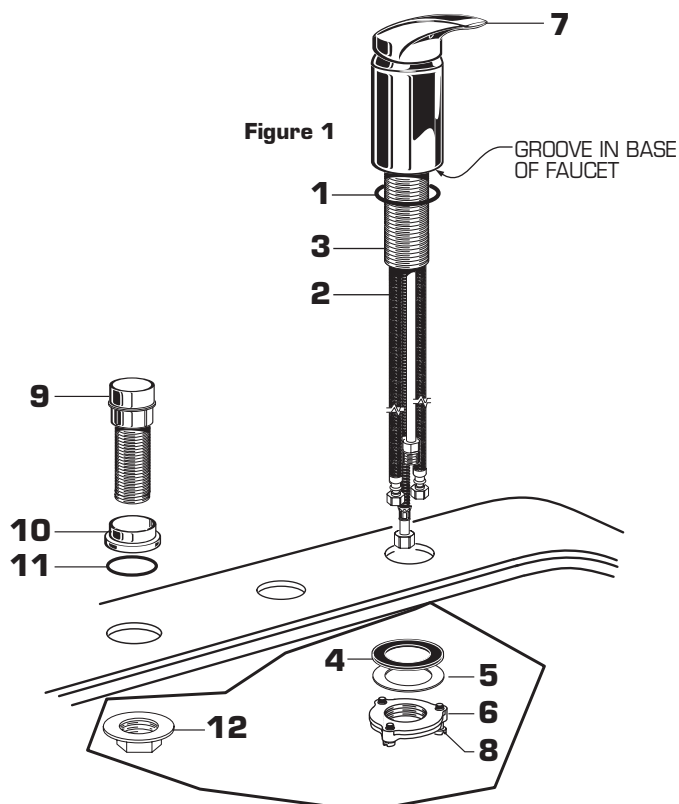
Phillips Screwdriver



Channel Locks

1 **INSTALL FAUCET** **CAUTION** Turn off water at main supply.

- Insert SEAL WASHER (1) into groove in base of faucet. Insert supply HOSES (2) and SHANK (3) through sink or mounting surface. **Figure 1.**
- Assemble RUBBER WASHER (4), BRASS WASHER (5) and threaded LOCKNUT (6) onto SHANK (3) from underside of sink or mounting surface. Hand tighten LOCKNUT (6). Check that rotation of HANDLE (7) from HOT to COLD is centered.
- Use a screwdriver to tighten SCREWS (8) on LOCKNUT (6). Work your way around LOCKNUT (6), tightening the SCREWS (8) slightly each time until all are snug to ensure even pressure.
- **Install SPRAY HOLDER: (6114.301)** Insert SPRAY HOLDER (9) into ESCUTCHEON (10). Insert SEAL (11) into underside of ESCUTCHEON (10). From underside of sink or mounting surface thread LOCKNUT (12) onto shank of SPRAY HOLDER (9) and tighten.
- **Install SPOUT ASSEMBLY:** Insert SEAL WASHER (13) into groove in base of spout. Insert SPOUT SHANK (14) through sink or mounting surface. **Figure 2.**
- Assemble RUBBER WASHER (15), BRASS WASHER (16), and threaded LOCKNUT (17) onto SHANK (14) from underside of sink or mounting surface. Align SPOUT (18) and tighten LOCKNUT (17).



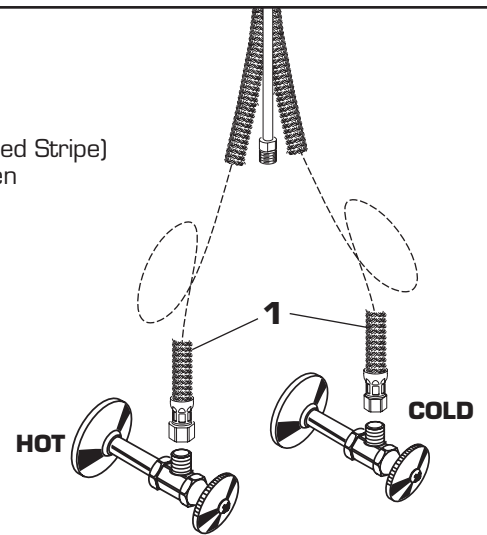
2

MAKE WATER SUPPLY CONNECTIONS

- Connect FLEXIBLE SUPPLIES (1) (1/2" X 3/8") to wall supplies. Connection on fitting supplies are 3/8" compression. Connect left supply (Marked with a Red Stripe) to Hot and right supply to the Cold wall supply. Use adjustable wrench to tighten connections. Do not over tighten.

- **Note:** If additional supply length is required, installer must purchase those parts separately.

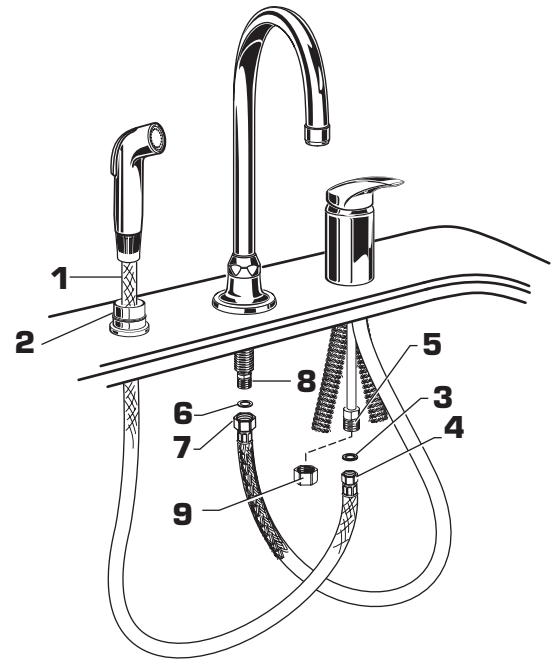
Important: If SUPPLY HOSES (1) are too long, loop as illustrated to avoid kinking.



3

CONNECT SPRAY HOSE AND SPOUT HOSE; (FITTING WITH SPRAY 6114.301)

- Feed HAND SPRAY HOSE (1) through SPRAY HOLDER (2).
- Install SEAL (3) into SPRAY COUPLING NUT (4).
- Use wrenches to tighten COUPLING NUT (4) on SPRAY HOSE (1) to SIDE SPRAY CONNECTION (5) on fitting.
- Make sure SEAL WASHER (6) is installed in COUPLING NUT (7). Connect threaded end of HOSE (7) to SPOUT HOSE SHANK (8). Use wrench to tighten.



3a

CONNECT SPOUT HOSE; (FITTING LESS SPRAY 6114.300)

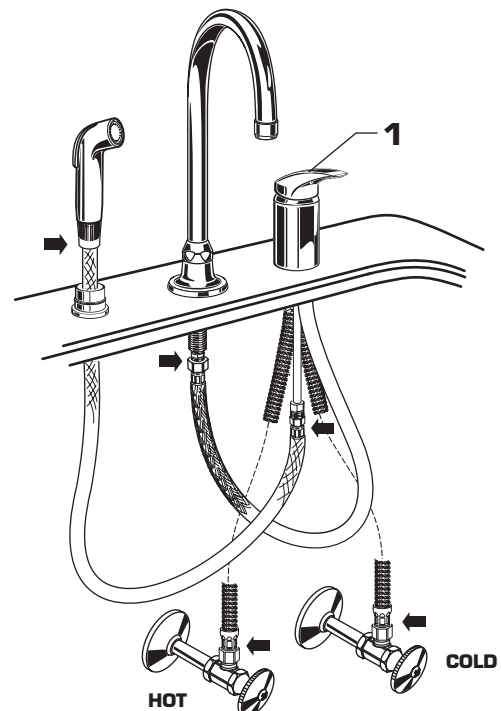
- Make sure SEAL WASHER (6) is installed in COUPLING NUT (7). Connect threaded end of HOSE (7) to SPOUT HOSE SHANK (8). Use wrench to tighten.
- Install PIPE CAP (9) onto SIDE SPRAY CONNECTION (5) on fitting. Use wrench to tighten.

4

CHECK CONNECTIONS FOR LEAKS.

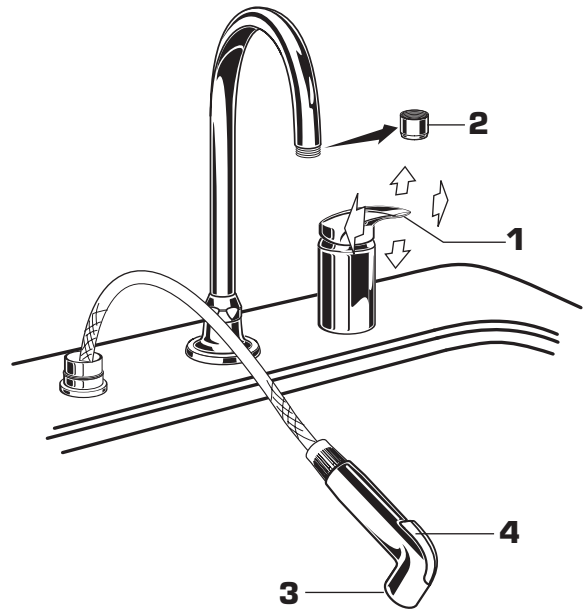
- Move HANDLE (1) down into "off" position.
- Turn on water supplies and check connections for leaks. ➡

CHECK CONNECTIONS FOR LEAKS ➡



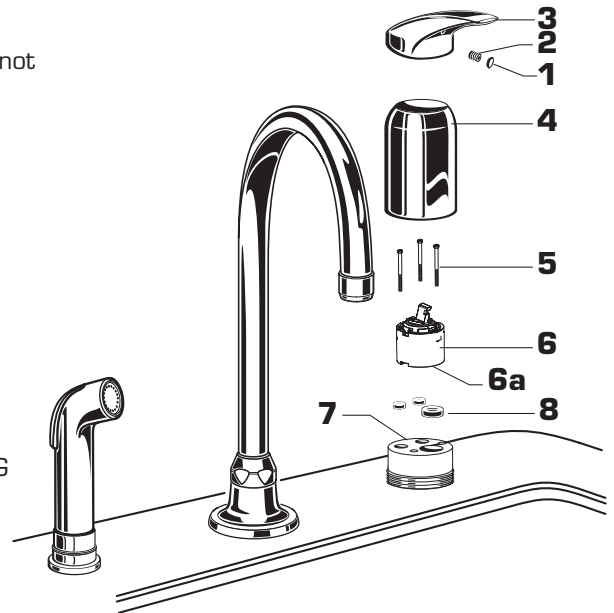
5 TEST INSTALLED FAUCET

- Move HANDLE (1) down into "off" position.
- Remove AERATOR (2).
- Operate HANDLE (1) up and down, in COLD and HOT positions, to flush water lines thoroughly.
- Replace AERATOR (2).
- With HANDLE (1) down in "off" position, pull HAND SPRAY (3) from holder and direct SPRAY END (3) into sink.
- With faucet on push BUTTON (4) to activate HAND SPRAY (3).
- Release BUTTON (4) to stop spray and return HAND SPRAY (3) to holder.



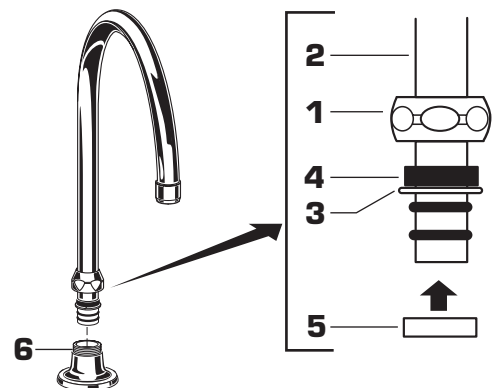
6 SERVICE

- If faucet drips, operate HANDLE several times from "off" to "on." Do not apply excessive force.
- **Clogged CARTRIDGE outlets or inlets may cause reduced flow.** To clean, first turn off water supply then:
 - Remove INDEX BUTTON (1), loosen HANDLE SCREW (2) and remove HANDLE (3).
 - Unthread ESCUTCHEON CAP (4). Unthread three MOUNTING SCREWS (5).
 - Lift CARTRIDGE (6) off MANIFOLD (7) and remove CARTRIDGE SEALS (8).
 - Clean MANIFOLD (7), CARTRIDGE (6) ports and SEALS (8).
 - Place SEALS (8) into CARTRIDGE PORTS (6a).
 - Place CARTRIDGE (6) onto MANIFOLD (7) and tighten MOUNTING SCREWS (5) alternately.
 - Replace ESCUTCHEON CAP (4), HANDLE (3), tighten HANDLE SCREW (1) and install INDEX BUTTON (2).
- Test fitting.



7 TO CHANGE SPOUT FROM RIDGID TO FULL SWIVEL SPOUT:

- Unscrew SPOUT NUT (1) and remove SPOUT (2).
- Take SPOUT CLIP (3) off SPOUT (2) and remove RUBBER RING (4).
- Replace RUBBER RING (4) with separate PLASTIC RING (5) packed with faucet.
- Install SPOUT CLIP (3) on SPOUT (2).
- Reassemble SPOUT (2) to SPOUT BASE (6). Tighten SPOUT NUT (1).



8 CARE INSTRUCTIONS:

DO: SIMPLY RINSE THE PRODUCT CLEAN WITH CLEAR WATER. DRY WITH A SOFT COTTON FLANNEL CLOTH.

DO NOT: DO NOT CLEAN THE PRODUCT WITH SOAPS, ACID, POLISH, ABRASIVES, HARSH CLEANERS, OR A CLOTH WITH A COARSE SURFACE.

American Standard

**MONTERREY
KITCHEN FAUCET**
SINGLE CONTROL KITCHEN FAUCET
WITH REMOTE VALVE

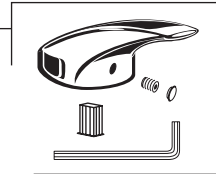
MODEL NUMBERS

6114.300
6114.301

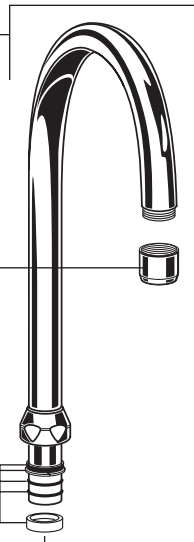
Appropriate finish code

CHROME 002

M964081-0020A
HANDLE KIT



M964082-0020A
SPOUT KIT



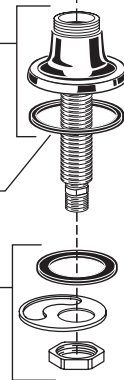
M922880-0020A
AERATOR
105gpm/5.7L/min.

012087-0070A
SPOUT SEAL KIT

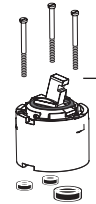
M954281-0020A
SPOUT
ESCUTCHEON KIT

A911836-0070A
SEAL

M964083-0070A
MOUNTING KIT

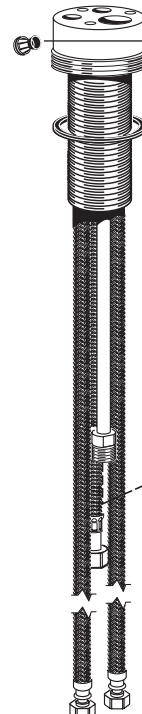


M907067-0020A
CARTRIDGE COVER

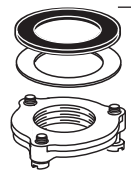


023529-0070A
CARTRIDGE

042850-0070A
DIVERTER

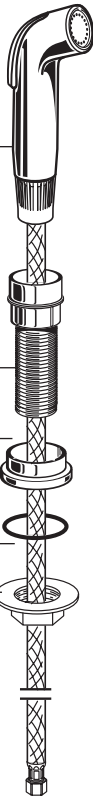


A906086-0070A
PIPE CAP (FOR 6114.300)



M962146-0070A
MOUNTING KIT

M953678-YYY0A
HAND SPRAY AND HOSE



M923651-0020A
SPRAY HOLDER

M907610-0020A
SPRAY ESCUTCHEON

061812-0070A
NUT

HOT LINE FOR HELP

For toll-free information and answers to your questions, call:
1-800-442-1902
Weekdays 8:00 a.m. to 6:00 p.m. EST
IN CANADA 1-800-387-0369 (TORONTO 1-905-306-1093)
Weekdays 8:00 a.m. to 7:00 p.m. EST
IN MEXICO 01-800-839-1200



Product names listed herein are trademarks of American Standard Inc.
© AS America, Inc. 2011

M965143 REV.1.1