

American Standard

Installation Instructions

BERWICK™ / BOULEVARD™ 7430.9XX
DECK MOUNT BATH FILLER 7431.9XX

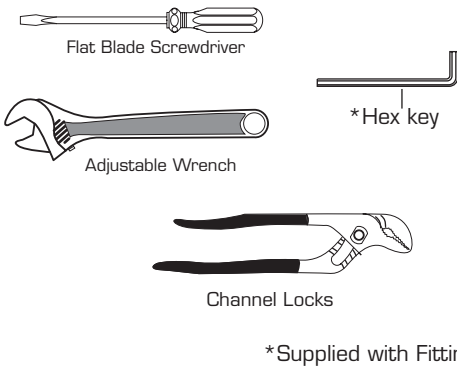


Certified to comply with ANSI A112.18.1M
M968644 REV.1.3

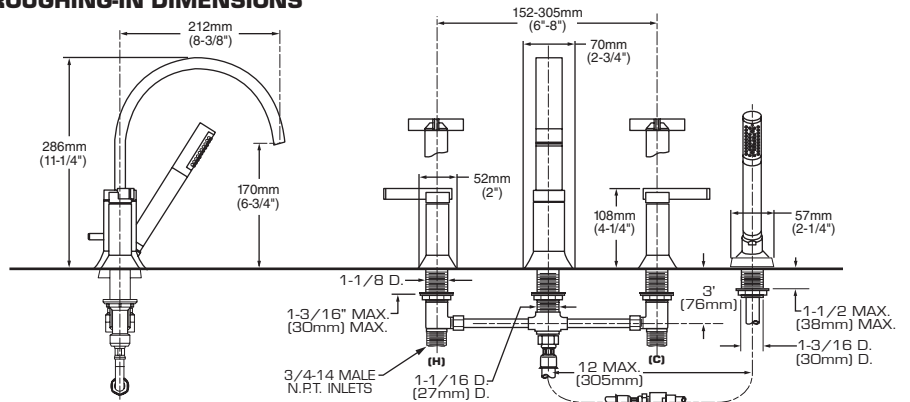
Thank you for selecting American-Standard...
the benchmark of fine quality for over 100 years.

To ensure that your installation proceeds smoothly...
please read these instructions carefully before you begin.

Recommended Tools



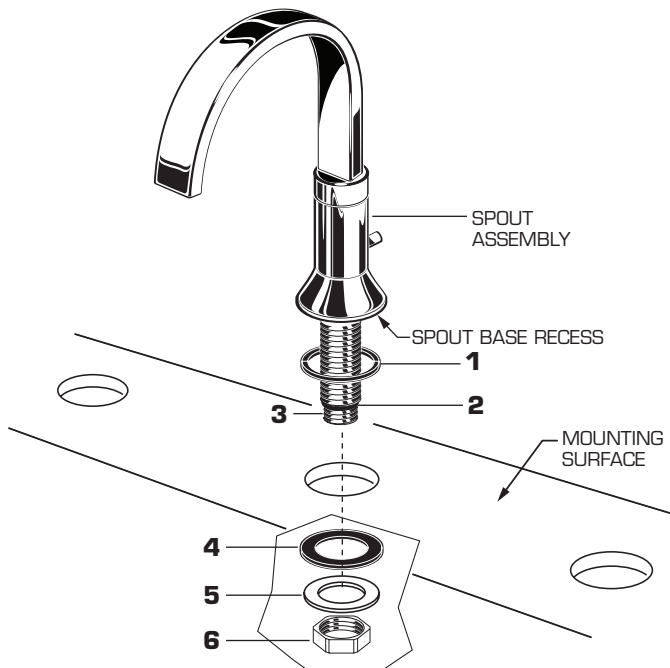
ROUGHING-IN DIMENSIONS



1 SPOUT ASSEMBLY

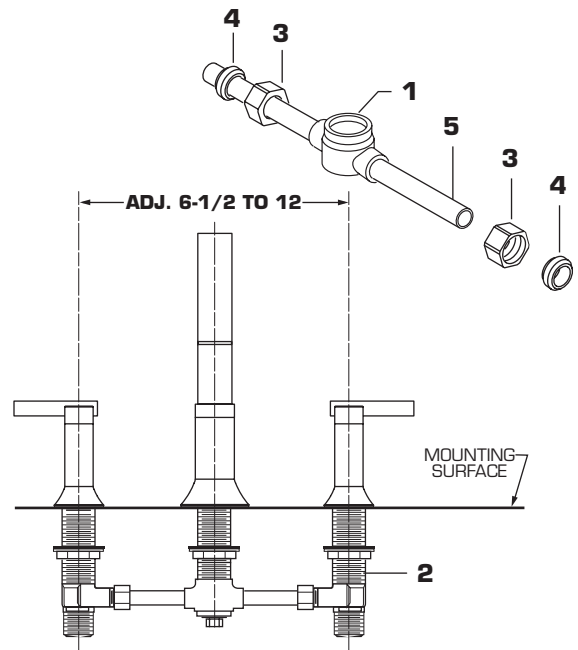
CAUTION Turn off hot and cold water supplies before beginning.

- Install RING WASHER (1) into spout base recess. Check that O-RING (2) on end of SPOUT SHANK (3) is in place. Insert SPOUT SHANK (3) through center hole on mounting surface.
- Assemble RUBBER WASHER (4) and BRASS WASHER (5) and LOCKNUT (6) onto SPOUT SHANK (3). Align SPOUT ASSEMBLY and from underside of ledge secure SPOUT ASSEMBLY into position with LOCKNUT (6).



2 PREPARE TUBE AND TEE ASSEMBLY

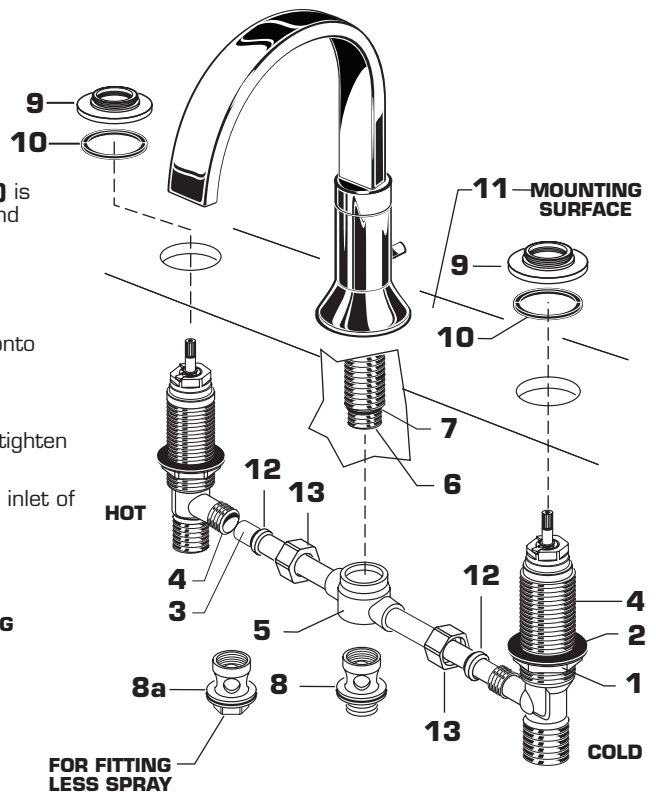
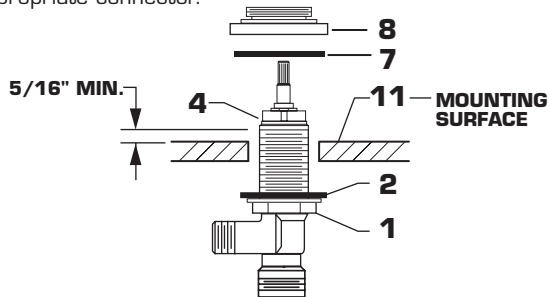
- Prepare TUBE and TEE ASSEMBLY (1) to fit center to VALVE (2) location (**between 6-1/2" and 12"**). If necessary, cut and/or bend TUBING carefully. Make sure tube bend is close to the TEE (1) so that it will not effect the compression joint at the VALVE CONNECTION.
- Remove COUPLING NUT (3) and FERRULE (4) from each VALVE (2) and slide onto TUBING (5).



NOTE VALVE inlet is 3/4-inch NPT male.

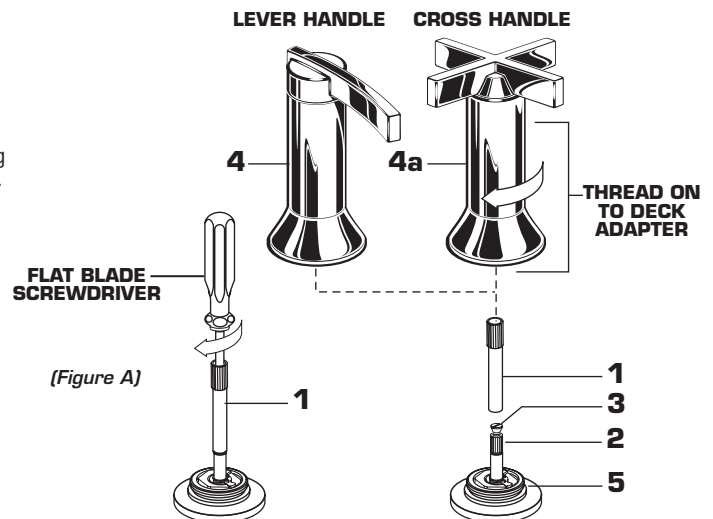
3 VALVE ASSEMBLY

- Install LOCKNUTS (1) and RUBBER WASHERS (2) onto valve shanks.
- Push TUBING (3) ends into VALVE (4) side outlets. Insert VALVES (4) into mounting holes from underside of ledge.
- Press TEE (5) onto SPOUT SHANK (6) making certain that the O-RING (7) is properly seated on SHANK (6). Push COUPLING (8 or 8a) into TEE (5) and attach to SPOUT SHANK (6) and tighten. For 7430.901 use a 10 mm (3/8") hex key.
- Threads of VALVE BODY (4) should extend at least 5/16 inch above MOUNTING SURFACE (11). If necessary, adjust LOCKNUT (1).
- Place RUBBER RING (10) into ESCUTCHEON ADAPTERS (9) and thread onto valves until snug against internal stop.
- Tighten LOCKNUT (1) to secure VALVE (4) position with channel locks.
- Slide FERRULE (12) and COUPLING NUT (13) to outlet of VALVE (4) and tighten COUPLING NUT (13) firmly.
- Connect HOT water supply to inlet of left VALVE and COLD water supply to inlet of right VALVE using appropriate connector.



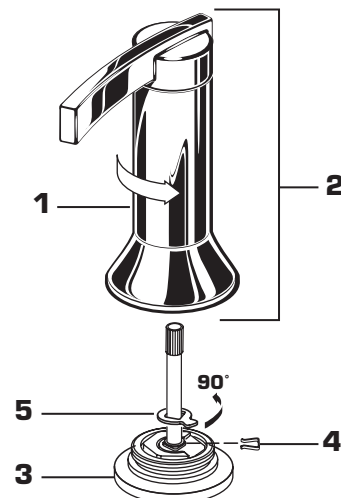
4 INSTALL HANDLES

- Push ADAPTER (1) on VALVE STEM (2). Tighten STEM SCREW (3) with a flat blade to secure ADAPTER (1). (Figure A)
- Find correct position of HANDLE ASSEMBLY (4, 4a) by adjusting male teeth on ADAPTER (1) to female teeth in HANDLE (4, 4a).
- Thread HANDLE ASSEMBLY (4, 4a) onto DECK ADAPTER (5) until snug against mounting surface.



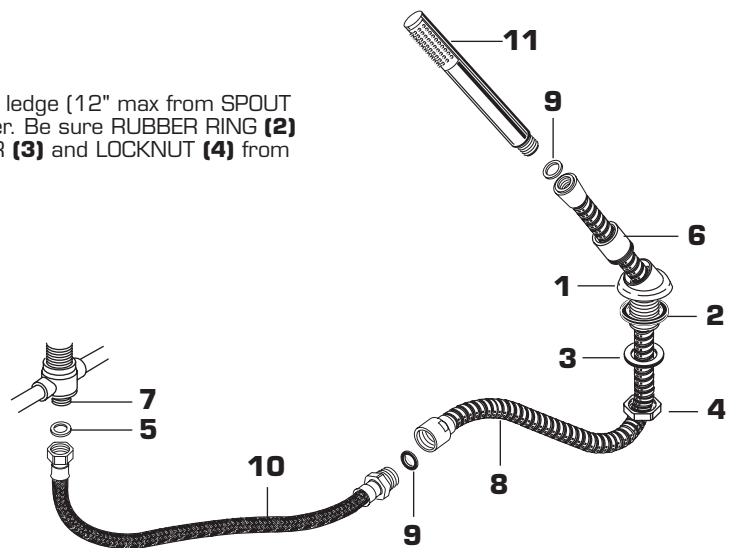
5 SERVICE

- To change direction of handle rotation, proceed as follows:
 - Turn valve to OFF position.
 - Thread counter-clock wise HANDLE BASE (1) to remove HANDLE ASSEMBLY (2) from ESCUTCHEON BASE (3).
 - Use a flat blade screw driver to remove SPRING CLIP (4).
 - Lift STOP WASHER (5), turn 90° and replace.
 - Replace SPRING CLIP (4).
 - Reinstall HANDLE ASSEMBLY (2).
- If spout drips, operate handles several times from OFF to ON position. Do not force - handles turn only 90°.



6 HANDSHOWER INSTALLATION (FOR MODEL 7430.901 ONLY)

- Drop SPRAY ESCUTCHEON (1) through the fourth hole of the tub ledge (12" max from SPOUT center) with SPRAY ESCUTCHEON (1) directed towards tub center. Be sure RUBBER RING (2) is properly seated in ESCUTCHEON (1). Install RUBBER WASHER (3) and LOCKNUT (4) from underside of ledge.
- Secure SPRAY ESCUTCHEON (1) by tightening LOCKNUT (4).
- Add SEAL WASHER (5) and connect HOSE (10) to outlet nipple at the bottom of TEE (7). Tighten firmly.
- Slip SHOWER HOSE (8) with COUPLING NUT through SPRAY HOLDER (6) and ESCUTCHEON (1). (Note: SPRAY HOLDER (6) must be separate from ESCUTCHEON (1) to get HOSE (8) through ESCUTCHEON (1).) Install SEAL (9) and connect both HOSES (8) and (10). INSTALL second SEAL (9) and connect HAND SHOWER (11) to SPRAY HOSE (8).



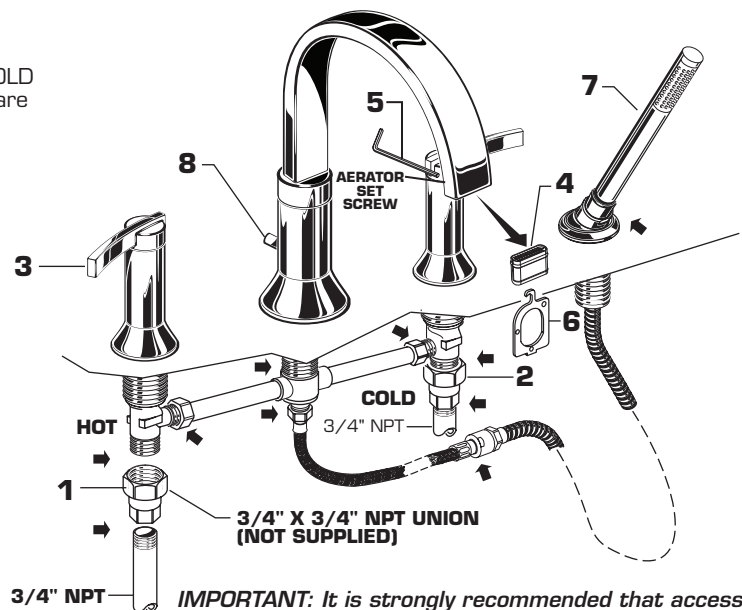
NOTE When not in use, HANDSHOWER should be seated in the HOLDER.

7 MAKE WATER SUPPLY CONNECTIONS

- Connect HOT water supply to LEFT INLET UNION (1) and COLD water supply to RIGHT INLET UNION (2). Pipe connections are 3/4" NPT. Use sealant or Teflon tape on pipe connections. *Do not solder directly to valve body.*

7A TEST INSTALLED FAUCET

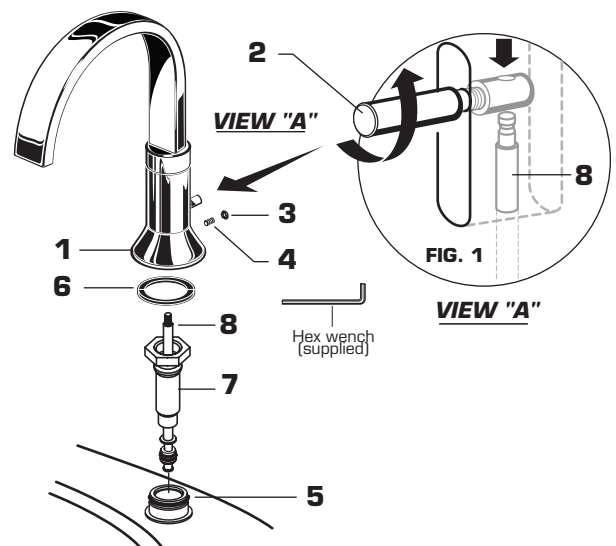
- With HANDLES (3) in OFF position, turn on water supplies and check all connections for leaks.
- Remove AERATOR (4). First loosen aerator set screw with HEX WRENCH (5) supplied. Pull out AERATOR (4) with AERATOR KEY (6).
- Operate both HANDLES (3) to flush water lines thoroughly. Lift HAND SHOWER (7) from HOLDER, direct spray into tub. Lift TRANSFER KNOB (8) to check HAND SHOWER (7) and HOSES for leaks.
- Turn handles "off" and replace HAND SHOWER (7). Replace AERATOR (4) and tighten set screw.



IMPORTANT: It is strongly recommended that access be provided for all enclosed mechanical parts to this system.

8 Before the bathroom is completely finished, you may want to remove spout, handshower, and handles to avoid damage during construction.

- To remove handles, reverse steps in section 4.
- To remove SPOUT (1), proceed as follows:
 - Unthread LIFT ROD KNOB (2) to release it from the TRANSFER ROD (8). Remove LIFT ROD KNOB (2). **VIEW A.**
 - Remove PLUG BUTTON (3) and remove SET SCREW (4) using 5mm hex wrench supplied.
 - Lift SPOUT (1) off SHANK (5) carefully and remove RUBBER RING (6).
 - Unthread SHANK SLEEVE (7) and remove from SHANK (5).
 - Reverse sequence to re-install SPOUT (1). Be sure RUBBER RING (6) is properly seated in its recess at the base of the SPOUT (1). Make certain SET SCREW (4) is properly aligned and tight so that SPOUT (1) is locked in place.



CARE INSTRUCTIONS:

DO: SIMPLY RINSE THE PRODUCT CLEAN WITH CLEAR WATER. DRY WITH A SOFT COTTON FLANNEL CLOTH.

DO NOT: DO NOT CLEAN THE PRODUCT WITH SOAPS, ACID, POLISH, ABRASIVES, HARSH CLEANERS, OR A CLOTH WITH A COARSE SURFACE.

American Standard

**BERWICK™ / BOULEVARD™
DECK-MOUNT BATH FILLER**

MODEL NUMBER

7430.9XX / 7431.9XX

M962846-YYY0A
SPOUT KIT (WITH TRANSFER)
M962845-YYY0A
SPOUT KIT (LESS TRANSFER)

M962850-YYY0A
BUTTON AND SCREW

M918378-0070A
SET SCREW

M962849-0070A
STREAM STRAIGHTENER

M962575-YYY0A
TRANSFER KNOB

M911810-0070A
RUBBER RING

Replace the "YYY" with appropriate finish code

CHROME	002
SATIN NICKEL	295

M962837-YYY0A
CROSS HANDLE ASSEMBLY

M952454-0070A
TRANSFER ROD ASSEMBLY

030278-0070A
TRANSFER SEAL KIT

M962831-YYY0A
LEFT LEVER HANDLE ASSEMBLY

030275-0070A
SHANK SLEEVE KIT

A950646-YYY0A
HAND SHOWER

M962830-0070A
DECK ADAPTER KIT

030274-0070A
SHANK MOUNTING KIT

M962832-YYY0A
RIGHT LEVER HANDLE ASSEMBLY

M961634-0070A
VALVE MTG. KIT

012668-0070A
SHANK KIT

M962738-YYY0A
HAND SHOWER HOLDER

918555-0070A
HANDLE SCREW

617852-0070A
HANDLE ADAPTER

994053-0070A
CARTRIDGE

028679-0070A
TUBE & TEE ASSEMBLY

028699-0070A
COUPLING (FOR TRANSFER)

028698-0070A
COUPLING (LESS SPRAY)

012078-0070A
VALVE COUPLING KIT

033760-0070A
HAND SHOWER SEAL KIT

028667-0020A
HAND SHOWER HOSE

051343-0070A
HOSE KIT



HOT LINE FOR HELP

For toll-free information and answers to your questions, call:
1-800-442-1902
Weekdays 8:00 a.m. to 6:00 p.m. EST
IN CANADA 1-800-387-0369 (TORONTO 1-905-306-1093)
Weekdays 8:00 a.m. to 7:00 p.m. EST
IN MEXICO 01-800-839-1200

Product names listed herein are trademarks of American Standard Inc.
© AS America, Inc. 2009

M968644 REV.1.3