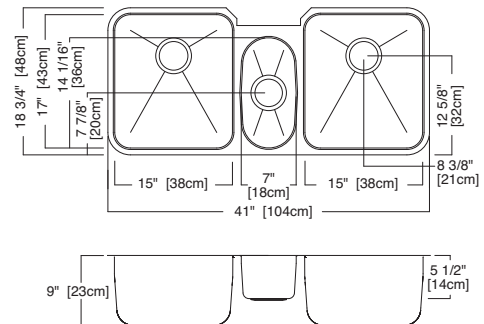


**18 GAUGE STAINLESS STEEL KITCHEN SINK 41"**

**Undermount Series**

- 18 Gauge Stainless Steel
- 18-10 Chrome Nickel content
- Triple bowl combination sink
- Installation hardware, template and instructions included
- **Waste fittings included**
- **45" cabinet required**



**Nominal Dimensions:**

41" x 18 3/4" x 9"

**Large Bowl Size:**

15" wide  
17" front to back  
9" deep

**Small Bowl Size:**

7" wide  
14 1/16" front to back  
5 1/2" deep

**Compliance Certifications:**

**IMPORTANT:** Dimensions of fixtures are nominal and may vary within the range of tolerances established by ASME A112.19.3  
These measurements are subject to change or cancellation. No responsibility is assumed for use of superseded or voided leaflet.

**To Be Specified:**

- 8443.061300.075  Stainless steel mesh colander
- 8443.101500.075  Stainless steel mesh colander
- 8445.131500.075  Stainless steel bottom grid
- 8445.131500.075  Stainless steel bottom grid