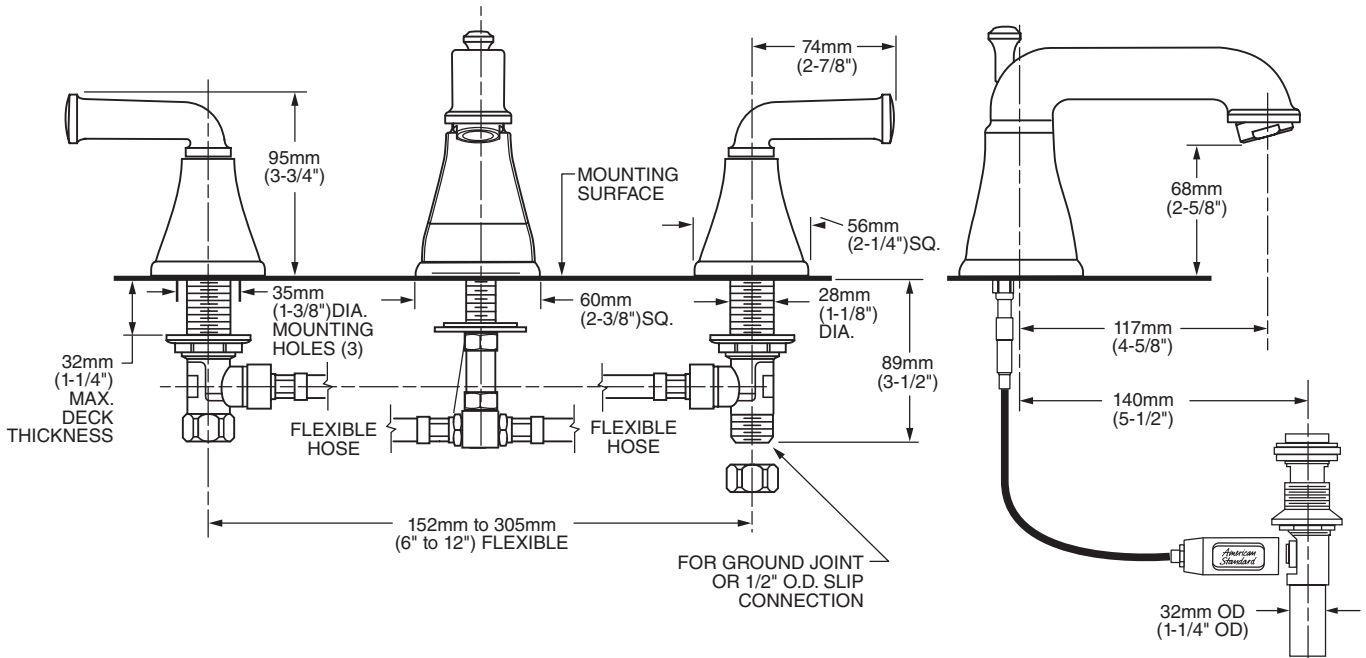


**MODEL NUMBER:**

- **2555.821 Town Square Widespread**  
 Pop-up drain. Metal Lever handles.



**GENERAL DESCRIPTION:**

Cast brass valve bodies with flexible hose connections for 6" to 12" (152mm to 305mm) installations. 1/4 turn washerless ceramic disc valve cartridges. Cast brass spout. One-half inch male inlet shanks. 20 inch (500mm) long flexible stainless steel drain cable is pre-assembled to spout. Metal Speed Connect® drain body with 1-1/4 inch (32mm) tail piece. 1.5 gpm/5.7L/min. maximum flow rate.

**PRODUCT FEATURES:**

- Brass Construction:** Durable. Ideal for prolonged contact with water. Provides the finest surface for application of colors and finishes.
- Ceramic Disc Valve Cartridges:** Assures a lifetime of drip-free performance.
- Lead Free:** Faucet contains  $\leq 0.25\%$  total lead content by weighted average.
- Exclusive Speed Connect Metal Drain:**
  - Fewer parts. Installs in less time.
  - No adjustments required - seals the first time, every time.
  - Flexible stainless steel cable - installs effortlessly in tight spaces.
- Choice of Finishes:** Wide range of durable finishes.

**SUGGESTED SPECIFICATION:**

Two handle widespread lavatory faucet shall feature cast brass valve bodies with flexible hose connections for 6" to 12" installations. Shall also feature 1/4 turn washerless ceramic disc valve cartridges. Shall also feature a metal drain body with stainless steel cable actuation. Fitting shall be American Standard Model #2555.821.\_\_\_\_\_.

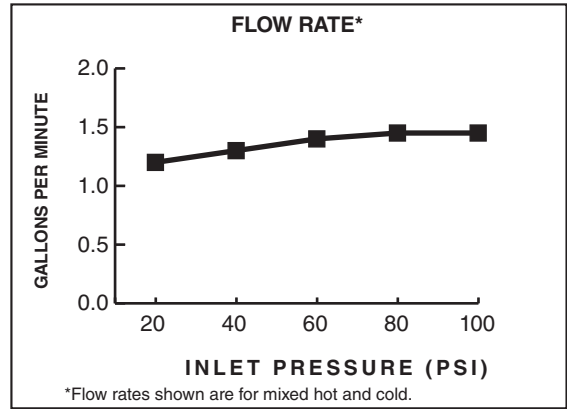



**TOWN SQUARE®**  
**TWO-HANDLE WIDESPREAD LAVATORY FAUCET**  
**WITH BRASS SPOUT**

**CODES AND STANDARDS**

These products meet or exceed the following codes and standards:


- ANSI A117.1**
- ASME A112.18.1**
- CSA B 125**
- NSF 61/Section 9 and Annex G**



Product Number	Description	Finish Options		
		Polished Chrome	Oil Rubbed Bronze	PVD Satin Nickel
		002	224	295
2555.821	Town Square Widespread with Metal Speed Connect® Pop-up drain. Metal Lever handles. 			

 Meets the American Disabilities Act Guidelines and **ANSI A117.1** Requirements for the physically challenged.

AERATOR MODIFICATIONS***	Parts Suffix**
0.5gpm (1.9Lpm) PCA* Spray	___F05
1.0gpm (3.8Lpm) PCA Aerator	___F10

AVAILABLE MODIFICATIONS***	Part Suffix**
 Less Pop-Up Drain; Less Hole	__LDH

\*PCA — Pressure Compensating

\*\*To modify a product, add suffix after the 4th digit (ex. 2064**F05**101.002)

\*\*\*Modified product models are **NOT** WaterSense certified.