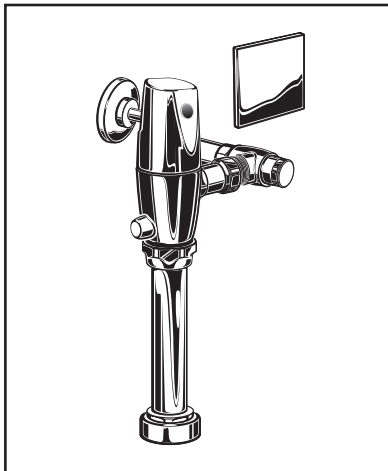


SELECTRONIC™ EXPOSED 1.6 GPF TOILET FLUSH VALVE HARD- WIRED AC POWERED, SENSOR OPERATED



GENERAL DESCRIPTION:

Exposed, Hardwired AC Powered, Sensor Operated Selectronic™ Water Closet Flush Valve for floor-mounted or wall-hung 1-1/2" top spud bowls.

Inlet includes 1" I.P.S. angle stop with back-flow protection, vandal-resistant cap, sweat solder kit, cover tube and wall flange.

Outlet includes 1-1/2" vacuum breaker, spud coupling and flange.

PRODUCT FEATURES:

- Electronic flush valve with Selectronic™ proximity system for "Hands Free" operation
- Includes UL approved hardwired AC transformer
- Input Voltage: 100 - 250 VAC, 50 / 60 Hz. Output Voltage: 6 VDC.
- Self-Cleaning Piston operation with integral wiper spring prevents clogging and reduces maintenance
- Piston operation delivers superior flush accuracy and repeatability
- Adjustable tailpiece
- Chemical resistant EPDM seals are unaffected by chloramines and ammonia
- Valve remains closed and does not need to be reset after loss of power or water pressure
- Fully Mechanical Manual Override Button can flush toilet during a power outage
- Vandal-resistant metal cover plate (for 2-gang electric box supplied by others) with no visible fasteners
- Sensor & electronic controls are fully enclosed and water resistant
- Range can be adjusted manually or by remote control
- Sanitary Flush - Valve automatically flushes after 24 hours of non-use to clean fixture & maintain trap seal
- No external volume adjustment
- 5 second Arming Delay prevents unintentional flushing
- 3-second Flush Delay
- Can be installed left or right-handed

MODEL NUMBER:

❑ **6067.161.002 HARD-WIRED AC POWERED:**
Includes UL-approved Hard-Wired AC transformer (electrical box by others). 11-1/2" rough-in

❑ **6068.161.002 MULTI-AC POWERED**
Includes 10' extension cable One transformer (sold separately) can operate up to 15 faucets and/or flush valves. 11-1/2" rough-in

OPERATING PRESSURE:

Overall Range: 20-125 psi**
Recommended: 25 psi (flowing)-80 psi (static)

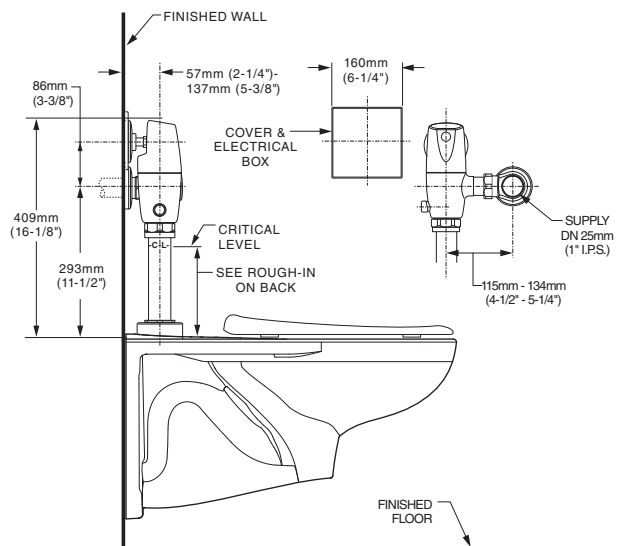
FLOW REQUIREMENT:

25gpm (94.6 L/min.)
** Water pressure over 80 psi is not recommended for most plumbing fixtures.

ACCESSORIES:

- Cast wall flanges (1" & 1-1/2")
- Solid ring pipe supports (2-1/2" & 6" C-E)
- Split ring pipe supports (2-1/2" & 6" C-E)

**TYPICAL WATER CLOSET INSTALLATION:
AFWALL™ TOILET SHOWN**



MEETS THE AMERICANS WITH DISABILITIES ACT GUIDELINES AND ANSI A117.1 REQUIREMENTS FOR ACCESSIBLE AND USABLE BUILDING FACILITIES-CHECK LOCAL CODES

RECOMMENDED SPECIFICATION:

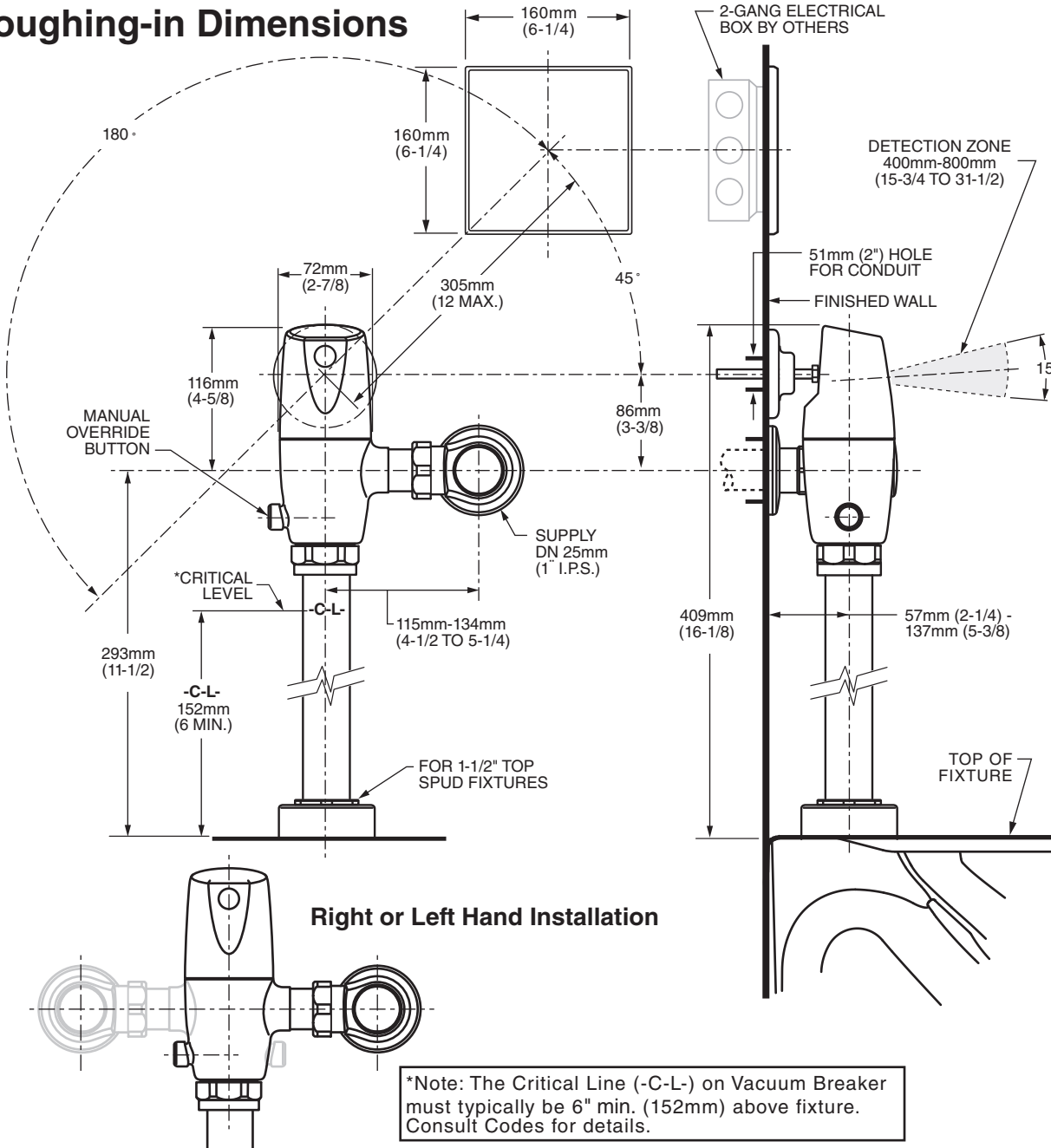
Electronic proximity infrared sensor activated toilet flush valve shall feature self-cleaning piston valve. Includes a UL listed hardwired power supply that provides 6 VDC power to run system. Includes a fully mechanical manual over-ride that can provide a complete flush without power. Includes cast brass valve body and metal cover with chrome finish and vandal resistant stop cap. Angle stop with back-flow protection and vacuum breaker included. 1.6 gpf / 6.0 Lpf. Flush valve shall be American Standard Model # 606_161.002.

**SELECTRONIC™ EXPOSED
1.6 GPF TOILET FLUSH VALVE
HARD-WIRED AC POWERED, SENSOR OPERATED**

LISTINGS:

- ASSE 1037
- ANSI/ASME A112.19.2
- ADA Compliant

Roughing-in Dimensions



 MEETS THE AMERICANS WITH DISABILITIES ACT GUIDELINES AND ANSI A117.1 REQUIREMENTS FOR ACCESSIBLE AND USABLE BUILDING FACILITIES-CHECK LOCAL CODES