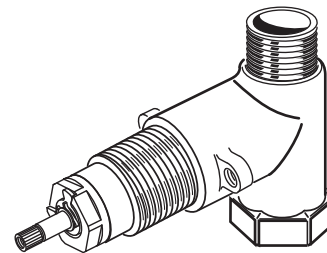


American Standard

HERITAGE
AMARILIS

Installation Instructions R711



Certified to comply with ANSI A112.18.1M
ASSE 1016

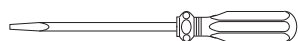
IN-WALL ON/OFF VOLUME CONTROL VALVE 3/4" INLET/OUTLET

Thank you for selecting American-Standard...the benchmark of fine quality for over 100 years.

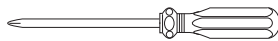
To ensure that your installation proceeds smoothly—please read these instructions carefully before you begin.

M968920 Rev. 1.3

Recommended Tools



Flat Blade Screwdriver



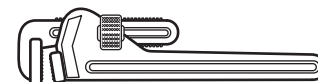
Phillips Screwdriver



Teflon Tape



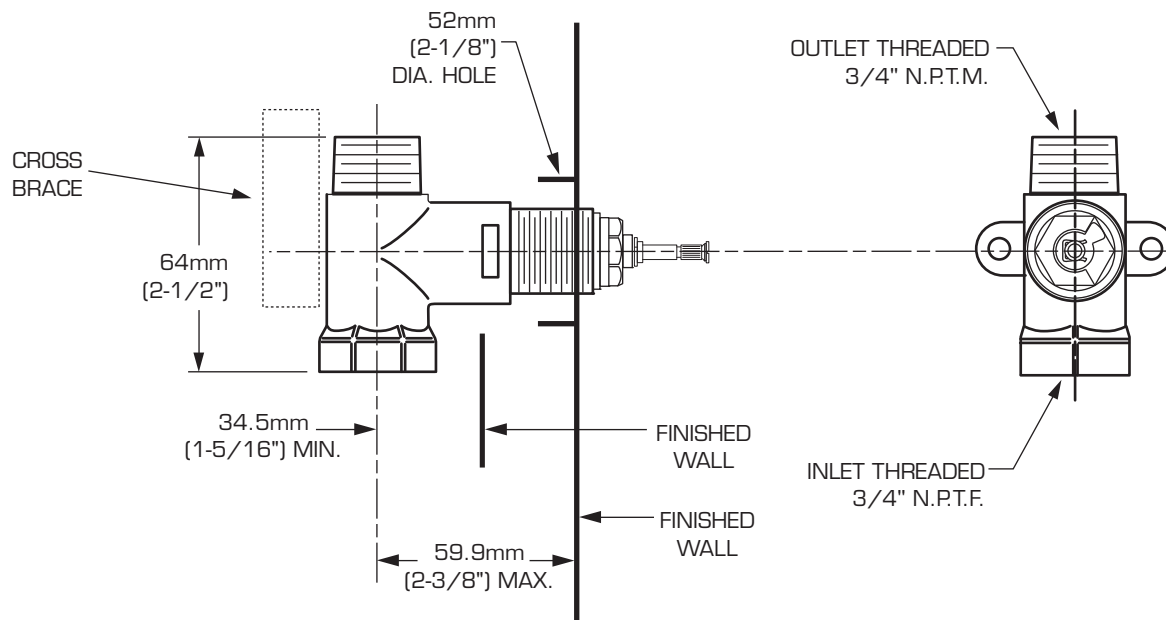
Adjustable Wrench



Pipe Wrench

ROUGHING-IN DIMENSIONS

3/4" NPT



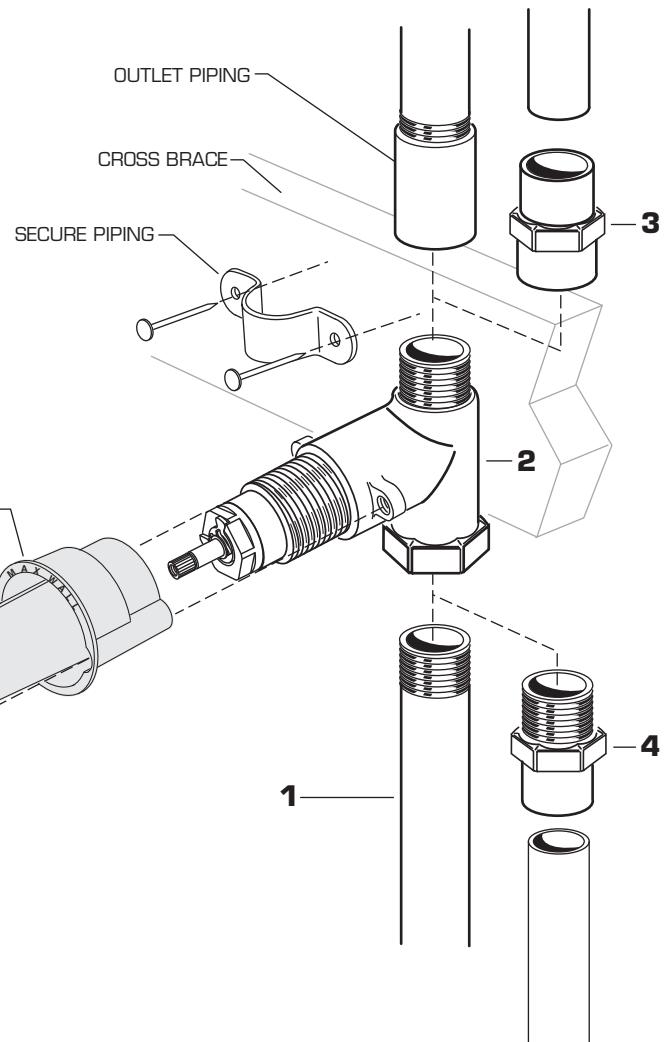
1

ROUGHING-IN FITTING

CAUTION

Turn off hot and cold water supplies before beginning.

- Prepare water supply per "Roughing-in Dimensions."
- Add cross brace to wall structure and to secure piping.
- Thread SUPPLY PIPE (1) into inlet of VALVE BODY (2). (For Sweat Connection ADAPTERS (3, 4) must be purchased separately.)
- Use appropriate sealant on all threaded connections.
- Install VALVE BODY (2) at indicated height and depth (Optional). Secure VALVE BODY (2) to cross brass of wall structure. Note MAX WALL marking on PLASTER GUARD (5) for the finished wall.
- Connect outlet piping to valve outlet. Cap off outlet if necessary.



2

TEST INSTALLED VALVE

- Remove PLASTER GUARD (5). (Do not discard.)
- Turn VALVE BODY (2) into OFF position.
- Turn on water supplies, open VALVE BODY (2) and check all connections for leaks.
- Operate VALVE BODY (2) to flush water lines thoroughly.
- Turn VALVE BODY (2) OFF.
- Replace PLASTER GUARD (5)

3

FINISHING INSTALLATION

- Finish wall construction. NOTE: Apply wall finish as close as possible to the PLASTER GUARD (5).

4

SERVICE

- To change direction of handle rotation, proceed as follows:
 - Turn valve to OFF position.
 - Remove SPRING CLIP.
 - Lift STOP WASHER, turn 90° and replace.
 - Replace SPRING CLIP.
- If valve drips, operate several times from OFF to ON position. Do not force - valve turns only 90°.
- Plastic SCREEN in CARTRIDGE may accumulate dirt causing reduced water flow. To clean, first turn off hot and cold water supplies, then:
 - Thoroughly rinse plastic SCREEN at base of CARTRIDGE.
 - Replace CARTRIDGE until flange is tight against valve body.
 - Turn valves OFF.

