

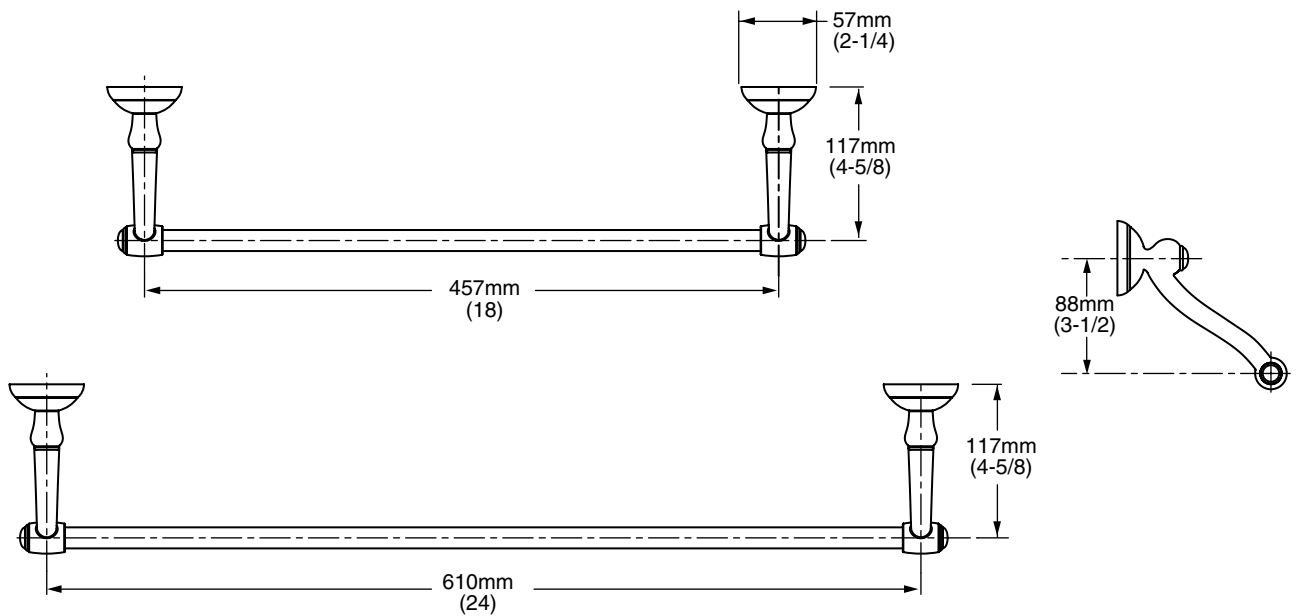
MODEL NUMBER:

☐ 6718 18" Towel Bar

☐ 6724 24" Towel Bar

Available Finishes

	Polished Chrome (no finish suffix needed)
S	Satin Nickel



PRODUCT FEATURES:

Heavy duty construction: Highest quality materials for durability & long life.

Concealed Mounting: No exposed set screws.

Materials of Construction: Towel bar - thick brass tube. Body - zinc. Escutcheon - brass. Index button - porcelain.

Easy to Install

SUGGESTED SPECIFICATION:

18" and 24" Towel Bar shall feature heavy - duty construction. Shall feature concealed mounting with no exposed set screws. 18" and 24" Towel Bar tube shall be thick brass tube. Towel Bar shall be American Standard Model # 67____.