

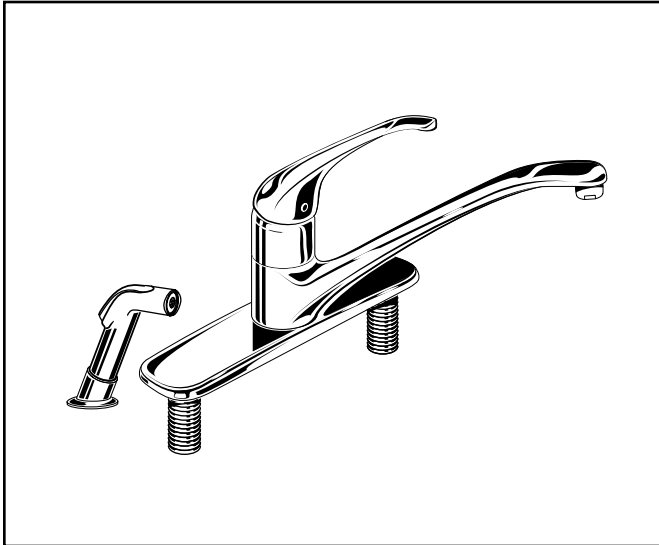
American Standard

Reliant+™

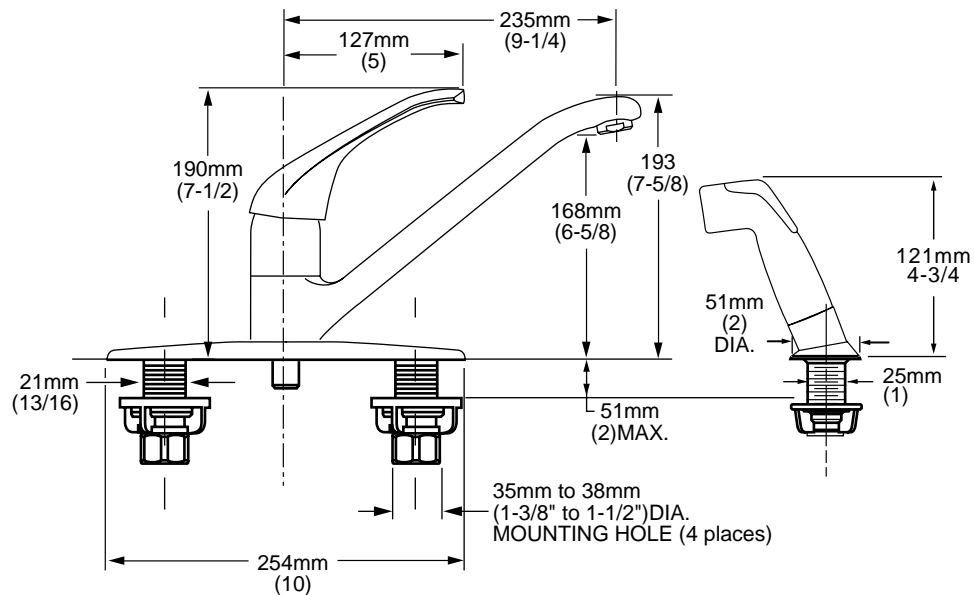
SINGLE CONTROL KITCHEN FAUCET WITH CAST BRASS SPOUT

MODEL NUMBER:

- 4205.001 Kitchen Faucet**
Metal Lever Handle. Separate handspray.
- 4205.000 Kitchen Faucet**
Metal Lever Handle. Less handspray.
- 4205.003 Kitchen Faucet**
Metal Lever Handle. Handspray through escutcheon.



4205.001 Shown.



GENERAL DESCRIPTION:

Washerless 47mm ceramic disc valve cartridge. Cast brass waterway with 1/2" male inlet shanks. Cast brass 9-1/4" (235mm) swing spout, metal escutcheon plate (escutcheon size 10" L x 2-5/16" W), and metal handle. 2.2 gpm/8.3L/min. maximum flow rate.

PRODUCT FEATURES:

Cast Brass Waterway, Cast Brass Spout: Highest quality faucet materials for durability and long life.

Ceramic Disc Valve Cartridge: Assures a lifetime of drip-free performance.

Higher and Longer Spout: Spout designed to allow more room under spout and extended reach into the sink.

Memory Position Valving: Allows user to turn valve on and off at preferred temperature setting without readjusting handle position each time.

Low Lead: Meets NSF Standard 61/Section 9 & Prop 65 lead requirements.

Choice of Finishes: Wide range of durable finishes.

Simple Installation: Fast and easy one person installation. Faucet drops in from top. Quick-spin nuts secure faucet in place.

SUGGESTED SPECIFICATION:

Single control kitchen fitting shall feature a cast brass body and swing spout, and all metal handle. Shall also feature washerless 47mm ceramic disc valve cartridge. Fitting shall be American Standard Model # 4205.____.____.



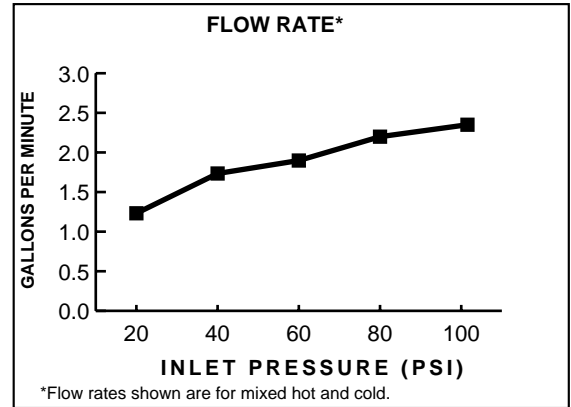
Reliant+™

**SINGLE CONTROL KITCHEN FAUCET
WITH CAST BRASS SPOUT**


CODES AND STANDARDS

These products meet or exceed the following codes and standards:

- ANSI A117.1**
- ASME A112.18.1M**
- CSA B 125**
- NSF 61/Section 9**



Product Number	Description	Finish Options			
		Polished Chrome	White	Bone	Velvet
		002	020	021	.285
4205.001	Kitchen faucet. Cast brass waterway with 1/2" male inlet shanks. Separate handspray.				
4205.000	Kitchen faucet. Cast brass waterway with 1/2" male inlet shanks. Less handspray.				
4205.003	Kitchen faucet. Cast brass waterway with 1/2" male inlet shanks. Handspray through escutcheon.				

 Meets the American Disabilities Act Guidelines and **ANSI A117.1** Requirements for the physically challenged.