

**AFWALL® FloWise® 1.6/1.1 GPF DUAL FLUSH
TOILET SYSTEM with EVERCLEAN®**

- 3351.576** Exposed Top Spud Bowl and Selectronic® Flush Valve

BOWL:

- Wall-mounted elongated flushometer valve toilet
- Vitreous china
- High Efficiency, Low Consumption. Operates in the range of 1.1 gpf to 1.6 gpf (4.2 Lpf to 6.0 Lpf)
- Meets definition of HET (High Efficiency Toilet) when used with a high efficiency flush valve (1.28 gpf or 1.6 / 1.1 gpf Dual Flush).
- Permanent EverClean® surface inhibits the growth of stain and odor-causing bacteria, mold, and mildew on the surface
- Condensation channel
- Powerful direct-fed siphon jet action
- 1-1/2" inlet spud
- Fully-glazed 2-1/8" trapway
- 10" x 12" water surface area
- 100% factory flush tested
- Bolt caps and seat not included
- Model 3351.001

SELECTRONIC® FLUSH VALVE:

- Light flush (1.1 gpf) if user is in detection zone for 60 seconds or less
- Standard flush (1.6 gpf) if user is in detection zone for more than 60 seconds
- Electronic flush valve with Selectronic proximity system for "Hands Free" operation
- Self-Cleaning Piston operation with integral wiper spring prevents clogging and reduces maintenance
- Fully Mechanical Manual Override Button can flush toilet during a power outage
- Valve remains closed and does not need to be reset after loss of power or water pressure
- Chemical resistant EPDM seals are unaffected by chloramines and ammonia
- Range can be adjusted manually or with optional remote control
- Sensor & electronic controls are fully enclosed and water resistant
- Factory-installed CR-P2 lithium battery included
- Battery life up to 4 years / approx. 200,000 cycles
- Adjustable tailpiece for rough-in flexibility
- Can be installed left or right hand
- Model 6065.761.002

Includes:

- 047007-0070A Inlet Spud (furnished with bowl)
- 1" I.P.S. angle stop with back-flow prevention and vandal-resistant cap
- Sweat solder kit including cover tube and wall flange
- Outlet includes 1-1/2" vacuum breaker with adjustable tail piece, spud coupling & flange

To Be Specified:

- Color: White
- Seat:
 - American Standard #5901.100 Heavy duty open front less cover
 - American Standard #5905.100 Extra heavy duty open front less cover



SEE REVERSE FOR ROUGHING-IN DIMENSIONS

System MaP* Score:

- 1,00 grams of miso @ 1.6 gpf
- 800 grams of miso @ 1.1 gpf

* Maximum Performance (MaP) testing performed by IAPMO R&T Lab. MaP Report conducted by Veritec Consulting, Inc. and Koeller and Company.

Operating Pressure:

Overall Range: 20-125 psi**

Recommended: 25 psi (flowing)-80 psi (static)

** Water pressure over 80 psi is not recommended for most plumbing fixtures.

Flow Requirement:

25gpm (94.6 L/min.)

Nominal Fixture Dimensions:

660 x 356 x 381mm (26" x 14" x 15")

Fixture Compliance Certifications -

Meets or Exceeds the Following Specifications:

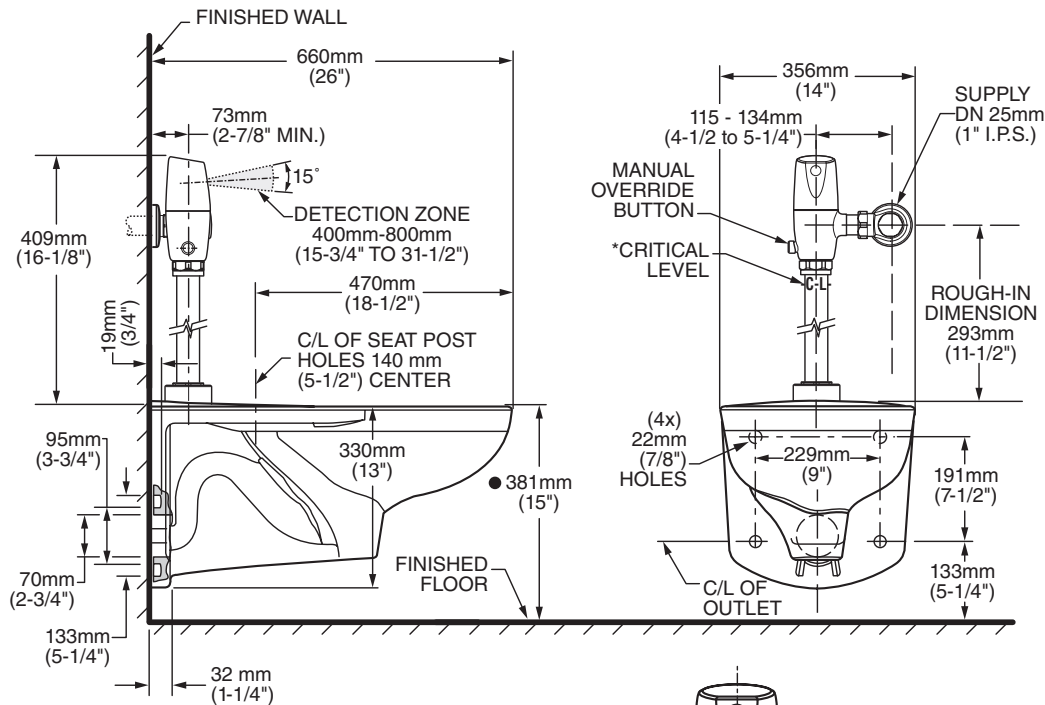
- ASME A112.19.2-2008 / CSA B45.1-08 for Vitreous China Fixtures

Valve Listings:

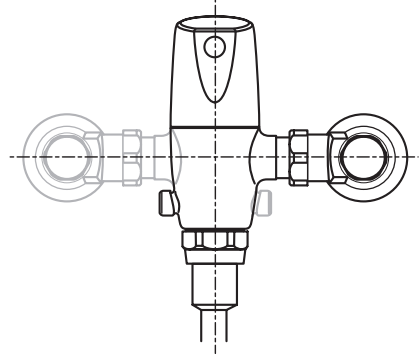
- ASSE 1037
- ANSI/ASME A112.19.2
- ADA Compliant

EVERCLEAN®
Surface





*Note: The Critical Line (-C-L-) on Vacuum Breaker must typically be a minimum of 6" (152mm) above fixture. Consult Codes for details.



VALVE LEFT or RIGHT HAND INSTALLATION

MEETS THE AMERICANS WITH DISABILITIES ACT GUIDELINES AND ANSI A117.1 ACCESSIBLE AND USABLE BUILDINGS AND FACILITIES - CHECK LOCAL CODES.

- When installed so that top of seat is 432 to 483mm (17" to 19") from the finished floor.

NOTES:
WASTE OUTLET SEAL RING MUST BE NEOPRENE OR GRAPHITE-FELT (WAX RING NOT RECOMMENDED).
 SUGGESTED 2mm (1/16) CLEARANCE BETWEEN FACE OF WALL AND BACK OF BOWL. TO COMPLY WITH AREA CODE GOVERNING THE HEIGHT OF VACUUM BREAKER ON THE FLUSHMETER VALVE, THE PLUMBER MUST VERIFY DIMENSIONS SHOWN FOR SUPPLY ROUGHING.
 CARRIER FITTING AS REQUIRED TO BE FURNISHED BY OTHERS.
 PROVIDE SUITABLE REINFORCEMENT FOR ALL WALL SUPPORT.

IMPORTANT: Dimensions of fixtures are nominal and may vary within the range of tolerances established by ANSI Standard A112.19.2. These measurements are subject to change or cancellation. No responsibility is assumed for use of superseded or voided pages