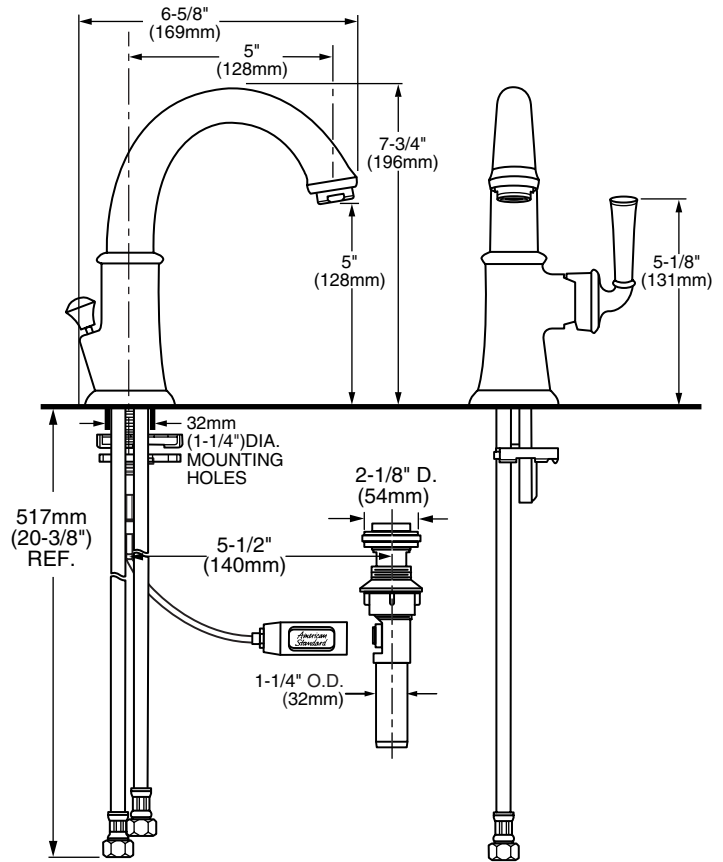




*WaterSense approval pending

MODEL NUMBER:

- **7420.101 Single Control Lavatory**
 Metal Speed Connect® Pop-up drain.
 Metal Lever Handles.



GENERAL DESCRIPTION:

Cast brass swivel spout (spout can be locked if desired). Metal Lever handle. Washerless 28mm ceramic disc valve cartridge. Braided flexible supply hoses with 3/8" compression connectors. 20 inch (500mm) long flexible stainless steel drain cable is pre-assembled to spout. Metal Speed Connect® drain body with 1-1/4 inch (32mm) tail piece. 1.5 gpm/5.7L/min. maximum flow rate.

PRODUCT FEATURES:

- Brass Swivel Spout:** Durable. Easy to clean. Ideal for prolonged contact with water.
- Ceramic Disc Valve Cartridge:** Assures a lifetime of smooth handle operation and drip-free performance.
- Lead Free:** Faucet contains 0.25% total lead content by weighted average.
- Exclusive Speed Connect Metal Drain:**
 - Fewer parts. Installs in less time.
 - No adjustments required - seals the first time, every time.
 - Flexible stainless steel cable - installs effortlessly in tight spaces.
- Choice of Finishes:** Wide range of durable finishes.

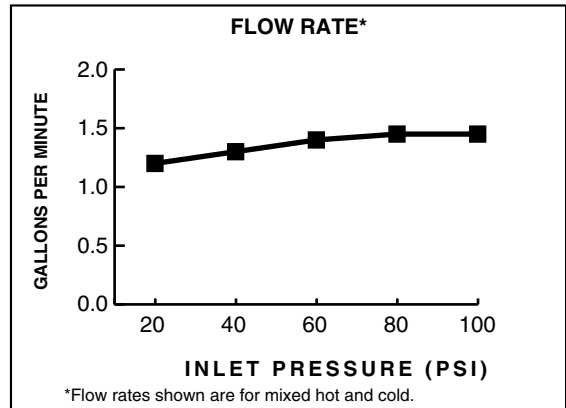
SUGGESTED SPECIFICATION:

Single control lavatory faucet shall feature a cast brass swivel spout and metal lever handle. Shall also feature washerless ceramic disc valve cartridge. Shall also feature a metal drain body with stainless steel cable actuation. Fitting shall be American Standard Model # 7420.101.____.


CODES AND STANDARDS

These products meet or exceed the following codes and standards:

- ANSI A117.1**
- ASME A112.18.1**
- CSA B 125.1**
- NSF 61/Section 9 and Annex G**



Product Number	Description	Finish Options			
		Polished Chrome	PVD Blackened Bronze	Oil Rubbed Bronze	PVD Satin Nickel
		002	068	224	295
7420.101	Portsmouth single control lavatory faucet. Metal Speed Connect® Pop-up drain.				

 Meets the American Disabilities Act Guidelines and **ANSI A117.1** Requirements for the physically challenged.