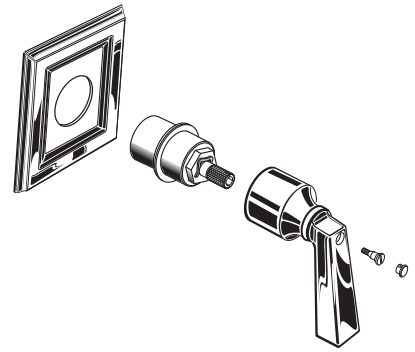


*American Standard*

# Installation Instructions

## TOWNSQUARE DIVERTER TRIM KIT

T555430



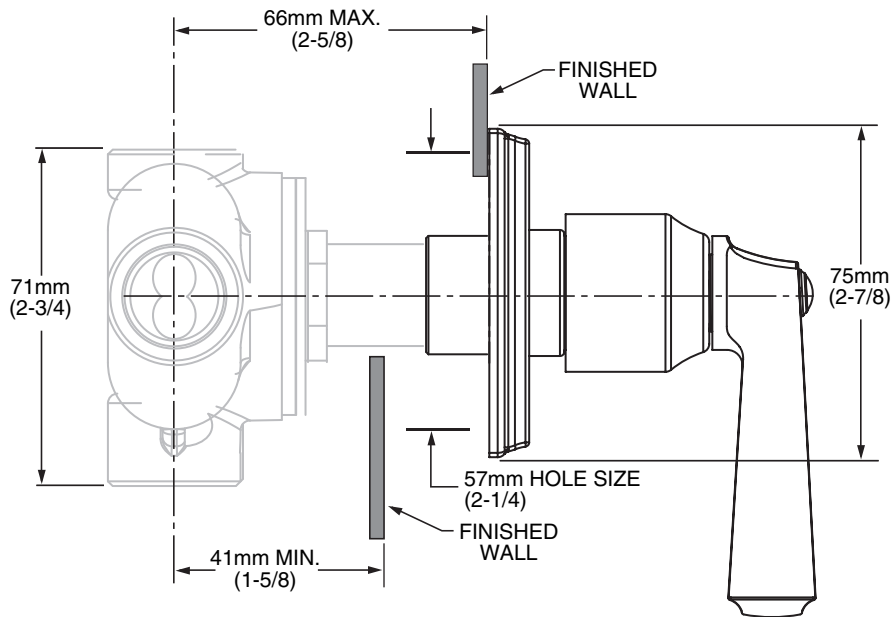
*Thank you for selecting American-Standard...the benchmark of fine quality for over 100 years.*

*To ensure that your installation proceeds smoothly—please read these instructions carefully before you begin.*

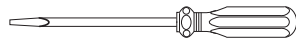
Certified to comply with ANSI A112.18.1

M968656

### ROUGHING-IN DIMENSIONS



### Recommended Tools



Flat Blade Screwdriver



Phillips Screwdriver

### CARE INSTRUCTIONS:

- To keep your new faucet looking new, please follow these simple care instructions:

**DO:** ■ Simply rinse the faucet clean with clear water.  
■ Dry the faucet with a soft cotton cloth.

**DO NOT:**

- Do not use any abrasive cleaners, cloths, or paper towels.
- Do not use any cleaning agents containing acids, polish abrasives, or harsh cleaners or soaps.

- Regular and routine cleaning will reduce the need for heavy cleaning and polishing. If heavy cleaning is required, the following procedures are recommended:

- Remove as much surface dirt and film using clear water and soft cotton cloth (as described above).

- Use any of the following to remove tough surface film and build-up:

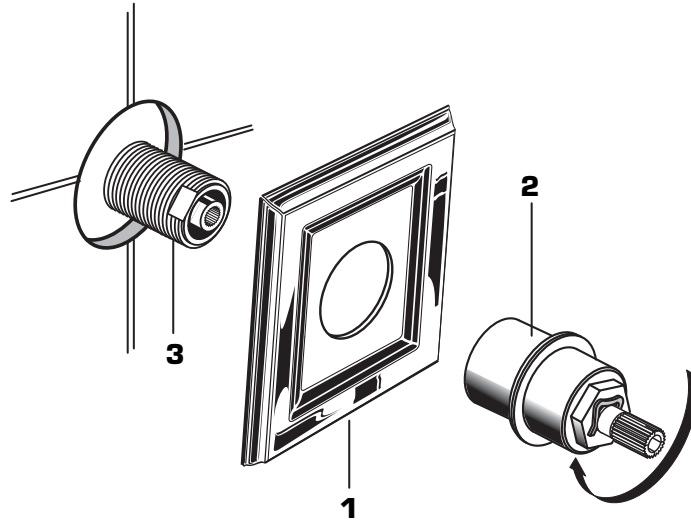
- Mild liquid detergents
- Clear ammonia free liquid glass cleaners
- Non-acidic, non-abrasive gentle liquid or fully dissolved powder cleansers mixed according to manufacturers directions.
- Non-abrasive liquid polishers

- Once clean, rinse faucet again with clear water to thoroughly remove cleaner or polish and blot dry with a soft cotton cloth.

***Failure to follow these care instructions may damage the Faucet's finish.***

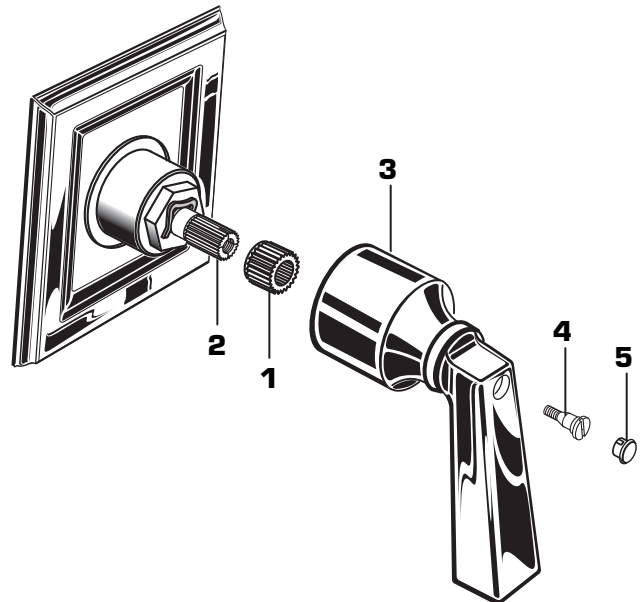
## 1 TRIM INSTALLATION

- Place ESCUTCHEON (1) onto ESCUTCHEON HOLDER (2).
- Align ESCUTCHEON (1). Thread ESCUTCHEON HOLDER (2) onto DIVERTER VALVE (3).
- Tighten until ESCUTCHEON (1) is snug against finished wall.



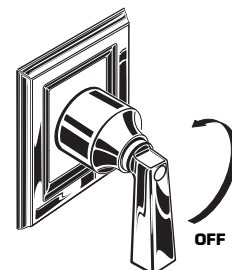
## 2 HANDLE INSTALLATION

- Push HANDLE ADAPTER (1) onto VALVE STEM (2).
- Turn VALVE STEM (2) to off position.
- Push HANDLE ASSEMBLY (3) onto HANDLE ADAPTER (1).
- Install HANDLE SCREW (4) and tighten.
- Push INDEX BUTTON (5) into HANDLE ASSEMBLY (3).



## 3 OPERATING THE VALVE

- Turn water supply on and test installed fitting.
- Rotate handle to all diverter positions to check operation of valve.
- Check for leaks.

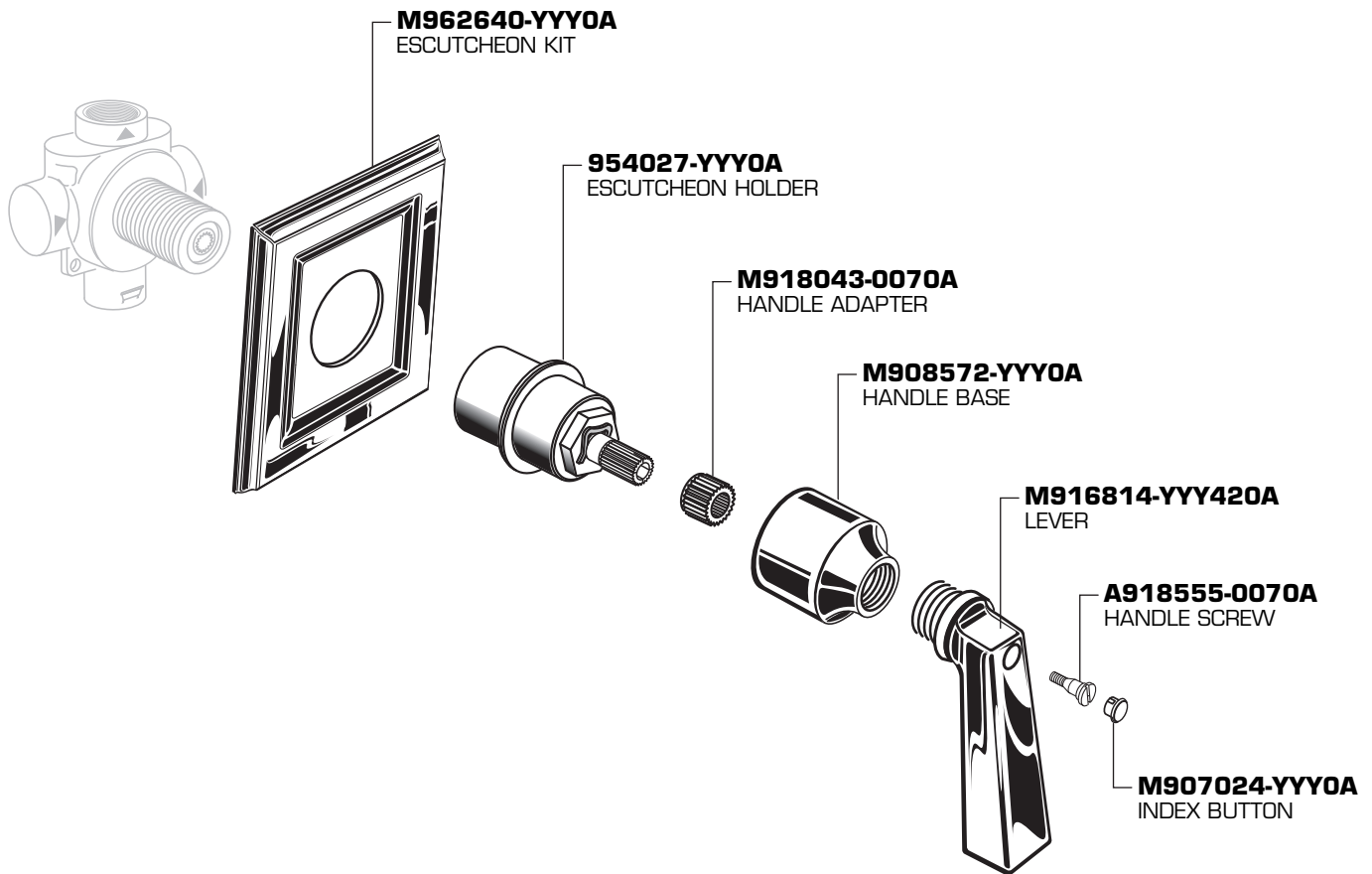


*American Standard*

# TOWNSQUARE DIVERTER TRIM KIT

MODEL NUMBERS

**T555430**



Replace the "YYY" with appropriate finish code

CHROME	002
BLACKENED BRONZE	068
SATIN NICKEL	295



HOT LINE FOR HELP  
For toll-free information and answers to your questions, call:  
1 (800) 442-1902  
Weekdays 8:00 a.m. to 6:00 p.m. EST  
IN CANADA 1-800-387-0369 (TORONTO 1-905-306-1093)  
Weekdays 8:00 a.m. to 7:00 p.m. EST  
IN MEXICO 01-800-839-1200

Product names listed herein are trademarks of American Standard Inc.  
© AS America, Inc. 2008

M968656